

HINGE 135°

Door bending 25mm, for surface mounted door
 135° Concealed Hinge for surface mounted doors, heavy duty version
 RH or LH application.

Material:

Frame Partes: Steel, zinc plated or stainless steel

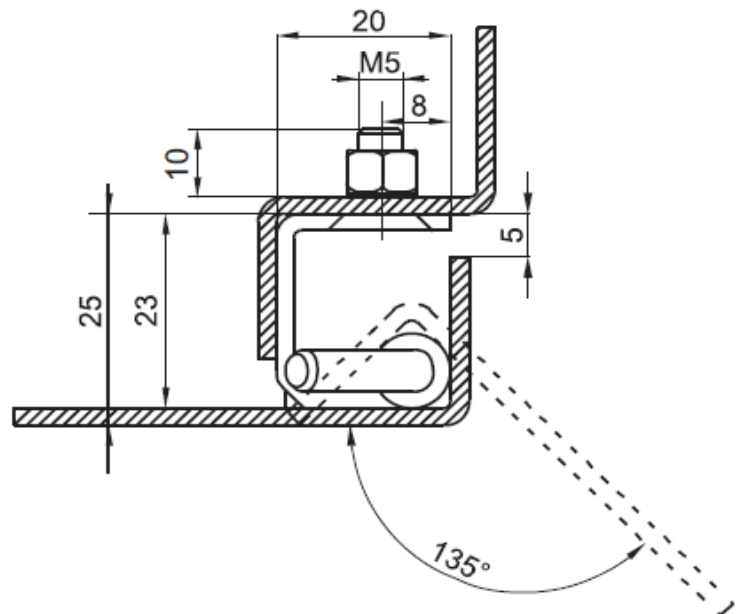
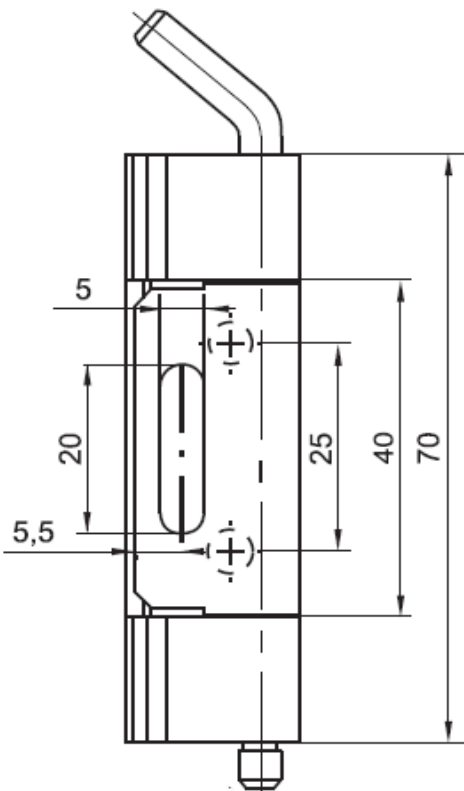
Door-Part: Steel, untreated or stainless steel

Pin: Steel, zinc plated or stainless steel

Fastening washer: steel, zinc plated or stainless steel



INOX
 Stainless Steel



Overview of items

| Version | Part No | Part No |
|-------------------------------|--------------------|-----------------|
| | Steel, zinc plated | Stainless Steel |
| Hinge 135° | PA6411441-000 | PA6411441-SST |
| Pin with groove are included. | | |

