

PC

Passacavi a foro chiuso con membrana *Closed hole cables-holder with membrane*

Materiale

Tecnopolimero a base polivinilcloruro (PVC). Resistente a sostanze chimiche organiche e inorganiche quali oli, grassi, carburanti, solventi.

Durezza

63 SHORE.

Colore

Nero.

Confezione

100 - 200 - 500 pcs.

Material

Polyvinylchloride-based (PVC) technopolymer. Resistant to organic and inorganic chemical substances such as oils, greases, fuels and solvents.

Hardness

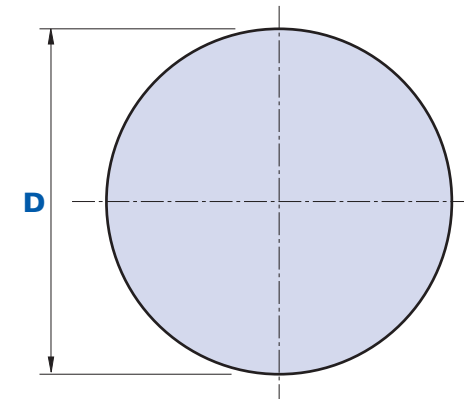
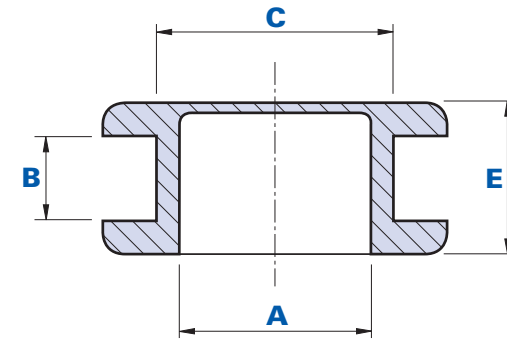
63 SHORE.

Colour

Blac.

Package

100 - 200 - 500 pcs.





Codice Code	Descrizione Description	Dimensioni Dimensions					Peso grammi Weight grams	Stock
		A	B	C	D	E		
PC060110	PC D.14 A=6	6	1	10	14	6	0,0005	✓
PC060610	PC D.14 A=6	6	6	10	14	11	0,0005	✓
PC090112	PC D.16 A=9	9	1	12	16	6	0,0015	✓
PC090212	PC D.16 A=9	9	2	12	16	7	0,0015	✓
PC090511	PC D.16 A=9	9	5	11	16	10	0,002	✓
PC090812	PC D.16 A=9	9	8	12	16	13	0,002	✓
PC120618	PC D.21 A=12	12	6	18	21	11	0,002	✓
PC160221	PC D.25 A=16	16	2	21	25	7	0,002	✓
PC160821	PC D.25 A=16	16	8	21	25	13	0,002	✓
PC180222	PC D.27 A=18	18	2	22	27	7	0,002	✓
PC240529	PC D.36 A=24	24	5	29	36	10	0,003	✓

Passacavi a foro chiuso con membrana *Closed hole cables-holder with membrane*

Materiale

Gomma a base di etilene-propilene (EPDM) resistente agli agenti atmosferici, alle radiazioni ultraviolette e all' ozono, anche a temperature elevate. Resiste ad acqua e vapore, soluzione alcaline saline, basi minerali forti, glicoli, liquidi per freni, chetoni, solventi ossigenati. Non resiste a oli e grassi minerali, idrocarburi alifatici, aromatici e clorurati, fluidi idraulici a base di esteri silicici.

Colore

Nero.

Confezione

100 - 200 - 500 pcs

Material

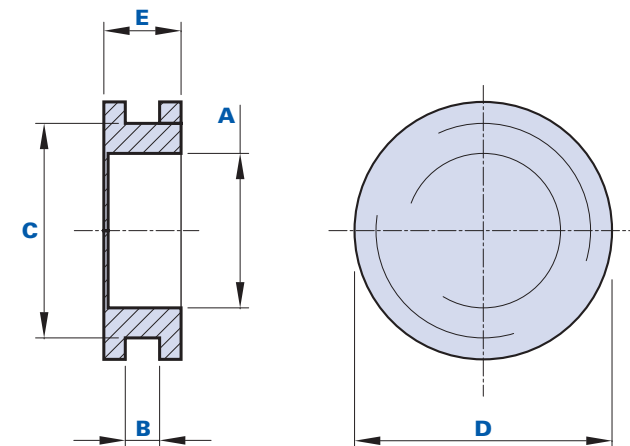
Ethylene-propylene-based rubber (EPDM) resistant to atmospheric agents, ultraviolet radiations and ozone, even at high temperatures. Resistant to water and steam, alkaline salt solutions, heavy mineral bases, glycols, brake fluids, ketones and oxygenates solvents. Not resistant to oils and greases, aliphatic, aromatic and chlorinated hydrocarbons, silicic ester-based hydraulic fluids.

Colour

Black.

Package

100 - 200 - 500 pcs.





Codice Code	Descrizione Description	Dimensioni Dimensions					Peso grammi Weight grams	Stock
		A	B	C	D	E		
209500003600	2095 D.55 A=36	36	5	44,5	55	15	21	✓

967

3000

Passacavi a foro chiuso *Closed hole cables-holder*

Materiale

Tecnopolimero a base polivinilcloruro (PVC). Resistente a sostanze chimiche organiche ed inorganiche quali oli, grassi, carburanti, solventi.

Colore

Nero. Altri colori per adeguate quantità.

Confezione

100 - 200 - 500 pcs.

Material

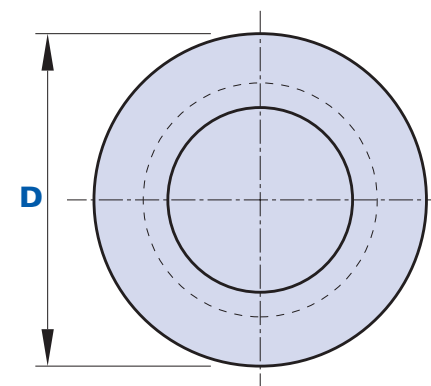
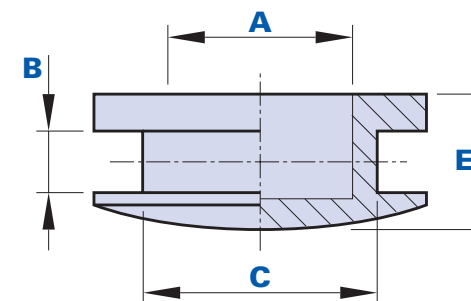
Polyvinylchloride-based (PVC) technopolymer. Resistant to organic and inorganic chemical substances such as oils, greases, fuels and solvents.

Colour

Black. Other colours for suitable quantities.

Package

100 - 200 - 500 pcs.





Codice Code	Descrizione Description	Dimensioni Dimensions					Peso grammi Weight grams	Stock
		A	B	C	D	E		
300000002400	3000 D.27 A=15	15	5	23	27	11	3	✓

3001

Passacavi a foro chiuso *Closed hole cables-holder*

Materiale

Tecnopolimero a base polivinilcloruro (PVC). Resistente a sostanze chimiche organiche ed inorganiche quali oli, grassi, carburanti, solventi.

Colore

Nero. Altri colori per adeguate quantità.

Confezione

100 - 200 - 500 pcs.

Material

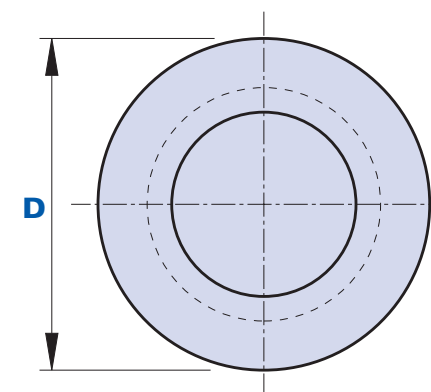
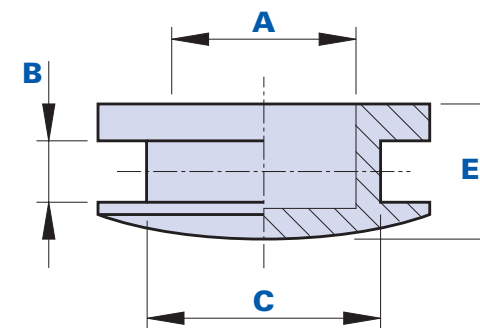
Polyvinylchloride-based (PVC) technopolymer. Resistant to organic and inorganic chemical substances such as oils, greases, fuels and solvents.

Colour

Black. Other colours for suitable quantities.

Package

100 - 200 - 500 pcs.





Codice Code	Descrizione Description	Dimensioni Dimensions					Peso grammi Weight grams	Stock
		A	B	C	D	E		
300100019500	3001 D.27 A=15	15	5	19	27	10,5	4	✓

971

3002

Passacavi a foro chiuso *Closed hole cables-holder*

Materiale

Tecnopolimero a base polivinilcloruro (PVC). Resistente a sostanze chimiche organiche ed inorganiche quali oli, grassi, carburanti, solventi.

Colore

Nero. Altri colori per adeguate quantità.

Confezione

100 - 200 - 500 pcs.

Material

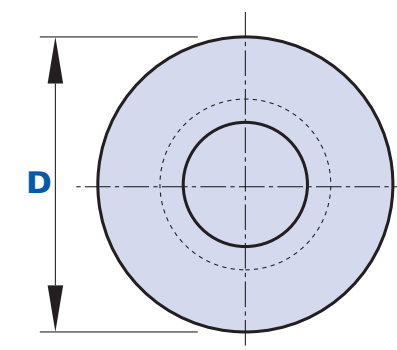
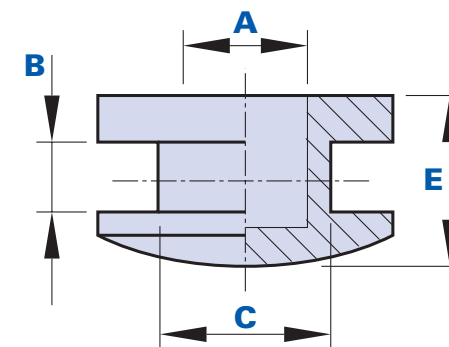
Polyvinylchloride-based (PVC) technopolymer. Resistant to organic and inorganic chemical substances such as oils, greases, fuels and solvents.

Colour

Black. Other colours for suitable quantities.

Package

100 - 200 - 500 pcs.





Codice <i>Code</i>	Descrizione <i>Description</i>	Dimensioni <i>Dimensions</i>					Peso grammi <i>Weight grams</i>	Stock
		A	B	C	D	E		
300200001100	3002 D.19 A=8	8	4,5	11	19	10	2	✓

PA

Passacavi a foro passante *Through-hole cables holder*

Materiale

Tecnopolimero a base polivinilcloruro (PVC). Resistente a sostanze chimiche organiche e inorganiche quali oli, grassi, carburanti, solventi.

Durezza

63 SHORE.

Colore

Nero.

Confezione

100 - 200 - 500 pcs.

Material

Polyvinylchloride-based (PVC) technopolymer. Resistant to organic and inorganic chemical substances such as oils, greases, fuels and solvents.

Hardness

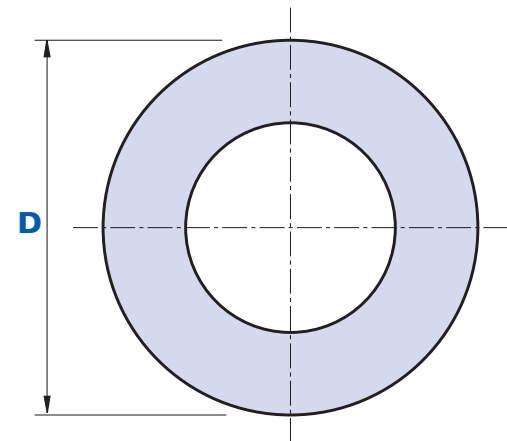
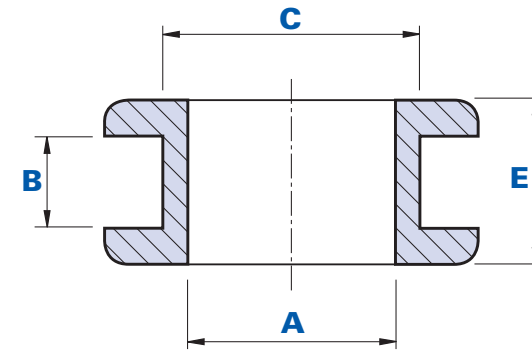
63 SHORE.

Colour

Black.

Package

100 - 200 - 500 pcs.

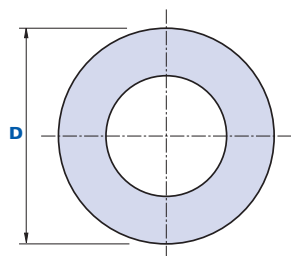
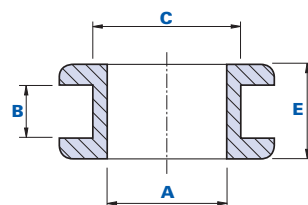




Dimensioni
Dimensions

Codice Code	Descrizione Description	Dimensioni Dimensions					Peso grammi Weight grams	Stock
		A	B	C	D	E		
PA050610	PA D.14 A=5	5	6	10	14	11	0,0005	✓
PA060110	PA D.14 A=6	6	1	10	14	6	0,0005	✓
PA060610	PA D.14 A=6	6	6	10	14	11	0,0005	✓
PA070217	PA D.24 A=7	7	2	17	24	7	0,0007	✓
PA090112	PA D.16 A=9	9	1	12	16	6	0,0015	✓
PA090212	PA D.16 A=9	9	2	12	16	7	0,0015	✓
PA090511	PA D.16 A=9	9	5	11	16	10	0,0015	✓
PA090812	PA D.16 A=9	9	8	12	16	13	0,0016	✓
PA100622	PA D.27 A=10	10	6	22	27	11	0,004	✓
PA120217	PA D.21 A=12	12	2	17	21	7	0,002	✓





Codice <i>Code</i>	Descrizione <i>Description</i>	Dimensioni <i>Dimensions</i>					Peso grammi <i>Weight grams</i>	Stock
		A	B	C	D	E		
PA120618	PA D.21 A=12	12	6	18	21	11	0,002	✓
PA090616	PA D.21 A=9	9	6	16	21	11	0,003	✓
PA120616	PA D.21 A=12	12	6	16	21	11	0,003	✓
PA140618	PA D.21 A=14	14	6	18	21	11	0,002	✓
PA120818	PA D.21 A=12	12	8	18	21	13	0,003	✓
PA150622	PA D.27 A=15	15	6	22	27	11	0,004	✓



Codice <i>Code</i>	Descrizione <i>Description</i>	Dimensioni <i>Dimensions</i>					Peso grammi <i>Weight grams</i>	Stock
		A	B	C	D	E		
PA160221	PA D.25 A=16	16	2	21	25	7	0,002	✓
PA160821	PA D.25 A=16	16	8	21	25	13	0,003	✓
PA180222	PA D.27 A=18	18	2	22	27	7	0,002	✓
PA240229	PA D.36 A=24	24	2	29	36	7	0,005	✓
PA240529	PA D.36 A=24	24	5	29	36	10	0,005	✓

PGA

Passacavi a foro passante *Through-hole cables holder*

Materiale

Gomma a base di etilene-propilene (EPDM) resistente agli agenti atmosferici, alle radiazioni ultraviolette e all' ozono, anche a temperature elevate. Resiste ad acqua e vapore, soluzione alcaline saline, basi minerali forti, glicoli, liquidi per freni, chetoni, solventi ossigenati. Non resiste a oli e grassi minerali, idrocarburi alifatici, aromatici e clorurati, fluidi idraulici a base di esteri silicici.

Colore

Nero.

Confezione

100 - 200 - 500 pcs

Material

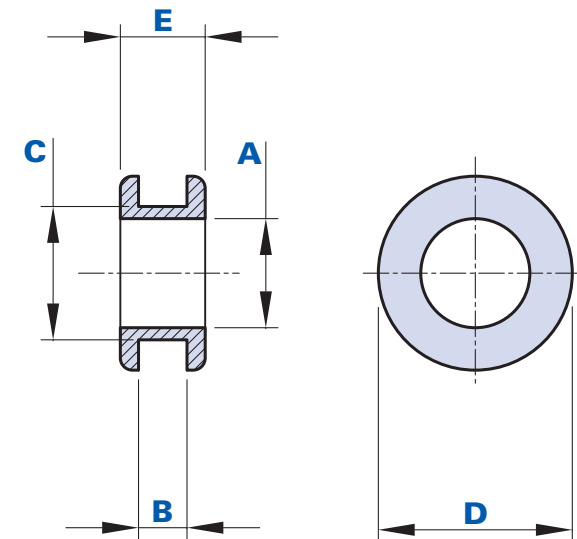
Ethylene-propylene-based rubber (EPDM) resistant to atmospheric agents, ultraviolet radiations and ozone, even at high temperatures. Resistant to water and steam, alkaline salt solutions, heavy mineral bases, glycols, brake fluids, ketones and oxygenates solvents. Not resistant to oils and greases, aliphatic, aromatic and chlorinated hydrocarbons, silicic ester-based hydraulic fluids.

Colour

Black.

Package

100 - 200 - 500 pcs.





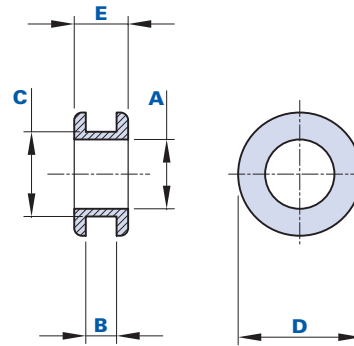
Dimensioni
Dimensions

Codice Code	Descrizione Description	A	B	C	D	E	Peso grammi Weight grams	Stock
210500000000	2105 D.11 A=4	4	1	8	11	7	1	✓
201500000500	2015 D.20 A=4,4	4,4	3	13	20	10	2	-
201600000600	2016 D.15 A=6	6	3	10,5	15	8	1	✓
201800000800	2018 D.14,5 A=8	8	1,5	11	14,5	7	0,8	✓
212800000000	2128 D.19 A=8	8	1,5	13,5	19	7	2	-
201700000700	2017 D.21 A=9	9	3	13	21	11	3	✓
201900001000	2019 D.18 A=10	10	1,5	13	18	6,7	1,1	-
202400001700	2024 D.30 A=12	12	3,5	21,5	30	12	7	✓
202000011500	2020 D.21,5 A=12,5	12,5	2	16	21,5	9	2	-
202100001300	2021 D.22 A=12,5	12,5	1,8	17	22	7	2	✓



↓ **PGA**

Passacavi a foro passante
Through-hole cables holder



Codice <i>Code</i>	Descrizione <i>Description</i>	Dimensioni <i>Dimensions</i>					Peso grammi <i>Weight grams</i>	Stock
		A	B	C	D	E		
202300001600	2023 D.22/25 A=13	13,5	3,5	17	22/25	12	3	-
201000014500	2010 D.32 A=14,5	14,5	3	24	32	15	9	✓
202200001500	2022 D.26 A=15	15	1,8	20	26	8,5	3,2	✓
208000001500	2080 D.24 A=15	15	3,5	18	24	11	2	✓
209000017500	2090 D.34 A=17,5	17,5	3,7	25	34	12	7	✓
208500001900	2085 D.28 A=19	19	3,5	21	28	11	4,5	-



Codice Code	Descrizione Description	Dimensioni Dimensions					Peso grammi Weight grams	Stock
		A	B	C	D	E		
208600001900	2086 D.28 A=19	19	1,5	21	28	11	4	-
203000002000	2030 D.40 A=20	20	4	29	40	13,8	13	✓
204000022500	2040 D.39 A=22,5	22,5	2,5	30	39	13,4	11	✓
207000002500	2070 D.49/57 A=25	25	4	43	49/57	14	22	✓
206000003200	2060 D.50 A=32	32	3	35	50	10	9	✓
205000004300	2050 D.64 A=43	43	5	50	64	12,5	18	✓

2000

Passacavi a foro passante *Through-hole cables holder*

Materiale

Tecnopolimero a base polivinilcloruro (PVC). Resistente a sostanze chimiche organiche ed inorganiche quali oli, grassi, carburanti, solventi.

Colore

Nero. Altri colori per adeguate quantità.

Confezione

100 - 200 - 500 pcs.

Material

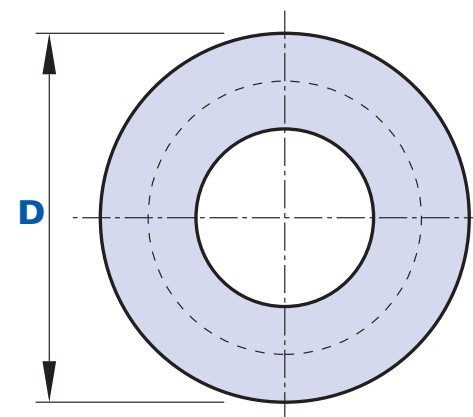
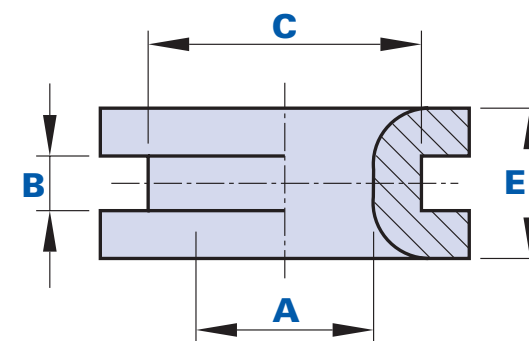
Polyvinylchloride-based (PVC) technopolymer. Resistant to organic and inorganic chemical substances such as oils, greases, fuels and solvents.

Colour

Black. Other colours for suitable quantities.

Package

100 - 200 - 500 pcs.





Codice Code	Descrizione Description	Dimensioni Dimensions					Peso grammi Weight grams	Stock
		A	B	C	D	E		
200000001200	2000 D.27 A=12	12	4	20	27	11	4	✓

2001

Passacavi a foro passante *Through-hole cables holder*

Materiale

Tecnopolimero a base polivinilcloruro (PVC). Resistente a sostanze chimiche organiche ed inorganiche quali, oli, grassi, carburanti, solventi.

Colore

Nero. Altri colori per adeguate quantità.

Confezione

100 - 200 - 500 pcs.

Material

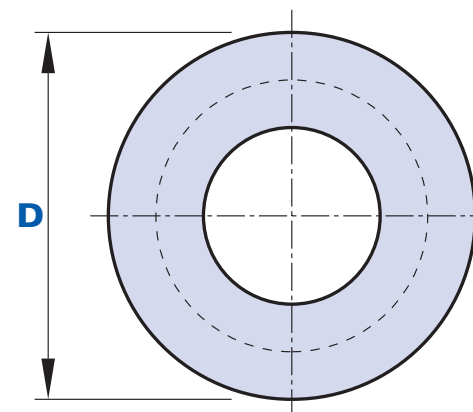
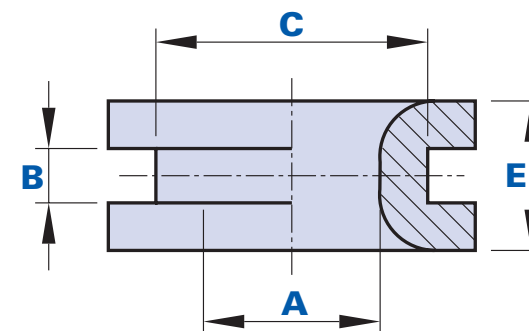
Polyvinylchloride-based (PVC) technopolymer. Resistant to organic and inorganic chemical substances such as oils, greases, fuels and solvents.

Colour

Black. Other colours for suitable quantities.

Package

100 - 200 - 500 pcs.





Codice <i>Code</i>	Descrizione <i>Description</i>	Dimensioni <i>Dimensions</i>					Peso grammi <i>Weight grams</i>	Stock
		A	B	C	D	E		
200100001500	2001 D.27 A=15	15	4	20	27	11	3,5	✓

2002

Passacavi a foro passante *Through-hole cables holder*

Materiale

Tecnopolimero a base polivinilcloruro (PVC). Resistente a sostanze chimiche organiche ed inorganiche quali oli, grassi, carburanti, solventi.

Colore

Nero. Altri colori per adeguate quantità.

Confezione

100 - 200 - 500 pcs.

Material

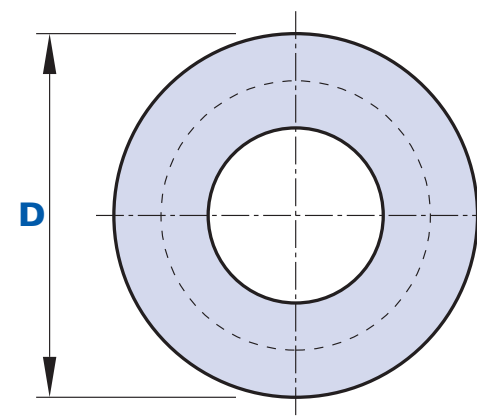
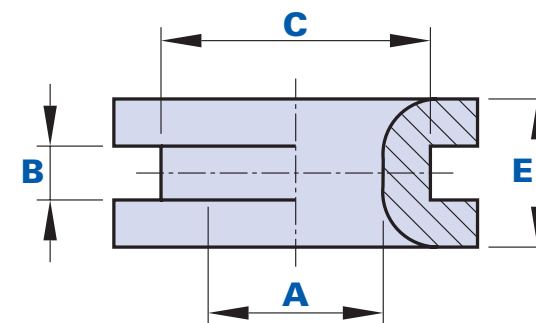
Polyvinylchloride-based (PVC) technopolymer. Resistant to organic and inorganic chemical substances such as oils, greases, fuels and solvents.

Colour

Black. Other colours for suitable quantities.

Package

100 - 200 - 500 pcs.





Codice <i>Code</i>	Descrizione <i>Description</i>	Dimensioni <i>Dimensions</i>					Peso grammi <i>Weight grams</i>	Stock
		A	B	C	D	E		
200200017500	2002 D.27 A=17,5	17,5	6	21	27	13	3	✓

2003

Passacavi a foro passante *Through-hole cables holder*

Materiale

Tecnopolimero a base polivinilcloruro (PVC). Resistente a sostanze chimiche organiche ed inorganiche quali oli, grassi, carburanti, solventi.

Colore

Nero. Altri colori per adeguate quantità.

Confezione

100 - 200 - 500 pcs.

Material

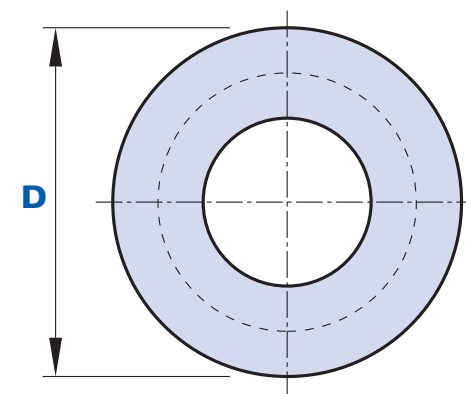
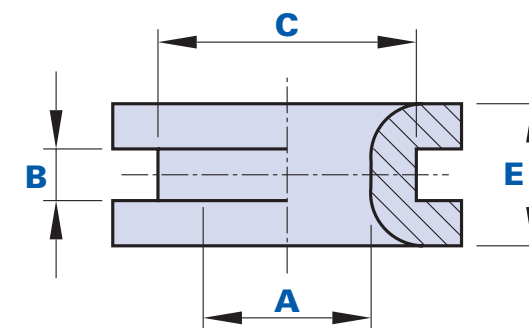
Polyvinylchloride-based (PVC) technopolymer. Resistant to organic and inorganic chemical substances such as oils, greases, fuels and solvents.

Colour

Black. Other colours for suitable quantities.

Package

100 - 200 - 500 pcs.





Codice Code	Descrizione Description	Dimensioni Dimensions					Peso grammi Weight grams	Stock
		A	B	C	D	E		
200300001400	2003 D.27 A=14	14	6	21	27	13	3,5	✓

3002FP

Passacavi a foro passante *Through-hole cables holder*

Materiale

Tecnopolimero a base polivinilcloruro (PVC). Resistente a sostanze chimiche organiche ed inorganiche quali oli, grassi, carburanti, solventi.

Colore

Nero. Altri colori per adeguate quantità.

Confezione

100 - 200 - 500 pcs.

Material

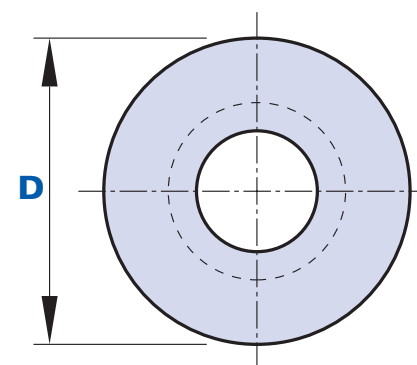
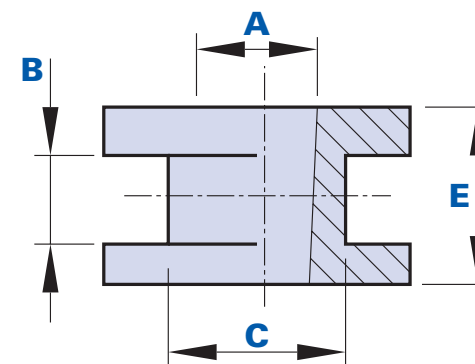
Polyvinylchloride-based (PVC) technopolymer. Resistant to organic and inorganic chemical substances such as oils, greases, fuels and solvents.

Colour

Black. Other colours for suitable quantities.

Package

100 - 200 - 500 pcs.





Codice <i>Code</i>	Descrizione <i>Description</i>	Dimensioni <i>Dimensions</i>					Peso grammi <i>Weight grams</i>	Stock
		A	B	C	D	E		
3002FP001100	3002FP D.19 A=8	8	4,5	11	19	10	1,8	✓