

# FTF



**PUZZLE  
ADVANCE**  
COMÉRCIO DE ACESSÓRIOS INDUSTRIAIS

 **CLAUSUM**<sup>®</sup>

**ABS**

+100  
-30

 **RoHS**

## Tappo per chiusura fori a diametri diversi per lamiera *Hole closing cap with different diameters for plates*

### **Materiale**

Tecnopolimero ABS. Resistente a sostanze chimiche organiche ed inorganiche quali oli, grassi, carburanti, solventi.

### **Colore**

Nero finitura satinata.

### **Confezione**

200 - 500 - 1000 pcs.

### **Material**

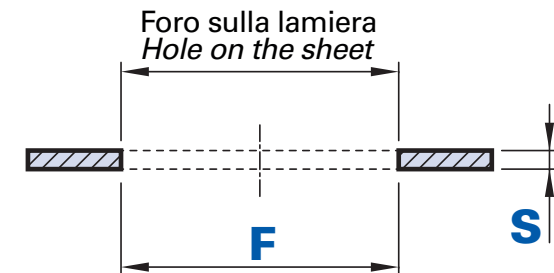
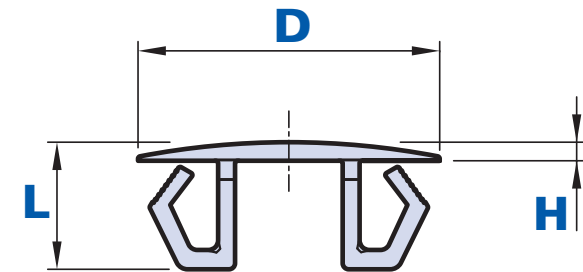
*ABS Technopolymer. Resistant to organic and inorganic chemical substances such as oils, greases, fuels and solvents.*

### **Colour**

*Black with satin finish.*

### **Package**

*200 - 500 - 1000 pcs.*





Codice Code	Descrizione Description	Dimensioni Dimensions			Pannelli Panels		Peso grammi Weight grams	Stock
		D	H	L	F	S		
<b>01FTFA</b>	FTF D. 9,5/13	16	2	13,2	9,5 - 13,0	0,8 - 3,2	0,48	✓
<b>01FTFB</b>	FTF D. 11,5/14,5	18,5	2	12,5	11,5 - 14,5	0,8 - 3,2	0,66	✓
<b>01FTFC</b>	FTF D. 15/18	21,5	2	12	15,0 - 18,0	0,8 - 3,2	0,79	✓
<b>01FTFD</b>	FTF D. 18,4/22	25,3	2	12,7	18,4 - 22,0	0,8 - 3,2	1,1	✓
<b>01FTFE</b>	FTF D. 22/27	32,5	2	13,7	22,0 - 27,0	0,8 - 3,2	1,73	✓
<b>01FTFF</b>	FTF D. 27/33	35	2	13,5	27,3 - 33,0	0,8 - 3,2	1,73	✓
<b>01FTFG</b>	FTF D. 35/40	43,3	2	13,1	35,0 - 40,0	0,8 - 3,2	2,62	✓
<b>01FTFH</b>	FTF D. 44,5/49	52,5	2	13,7	44,5 - 49,0	0,8 - 3,2	4,48	✓

## Tappo per chiusura fori a diametri diversi per lamiera *Hole closing cap with different diameters for plates*

### **Materiale**

Tecnopolimero a base poliammidica (PA).  
Resistente a sostanze chimiche organiche ed inorganiche quali oli, grassi, carburanti, solventi.

### **Colore**

Nero finitura satinata.

### **Confezione**

200 - 500 - 1000 pcs.

### **Material**

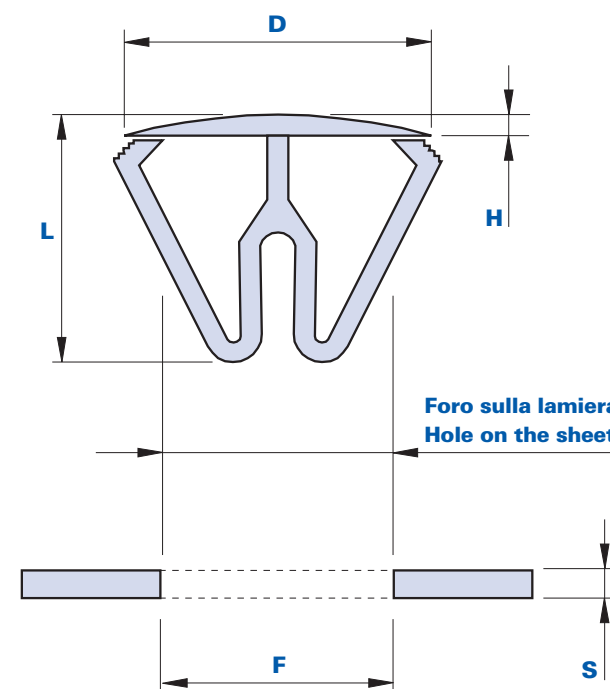
*Polyamide-based (PA) technopolymer.  
Resistant to organic and inorganic chemical substances such as oils, greases, fuels and solvents.*

### **Colour**

*Black with satin finish.*

### **Package**

*200 - 500 - 1000 pcs.*





Codice <i>Code</i>	Descrizione <i>Description</i>	Dimensioni <i>Dimensions</i>			Pannelli <i>Panels</i>		Peso grammi <i>Weight grams</i>	Stock
		<b>D</b>	<b>H</b>	<b>L</b>	<b>F</b>	<b>S</b>		
<b>01FTVA</b>	FTV F. 9,5/13,5	16,7	1,5	15,5	9,5 - 13,5	1,0 - 2,5	0,6	✓
<b>01FTVB</b>	FTV F. 14/21	24,8	1,5	17,5	14,0 - 21	1,0 - 2,5	1	✓
<b>01FTVC</b>	FTV F. 22/30	34,8	1,5	18,5	22,0 - 30,0	1,0 - 2,5	2	✓

# IL-TB

## Tappo bombato per tubi a sezione rotonda *Crowned cap for round-section pipes*

### **Materiale**

Tecnopolimero a base polietilene (PE).  
Resistente a sostanze chimiche organiche  
ed inorganiche quali oli, grassi, carburanti,  
solventi.

### **Colore**

Nero finitura satinata. Altri colori per  
adeguate quantità.

### **Confezione**

IL-TB D.10÷D.42: 100 - 200 - 500 pcs.  
IL-TB D.45÷D.88,9: 50 - 100 - 200 pcs.

### **Material**

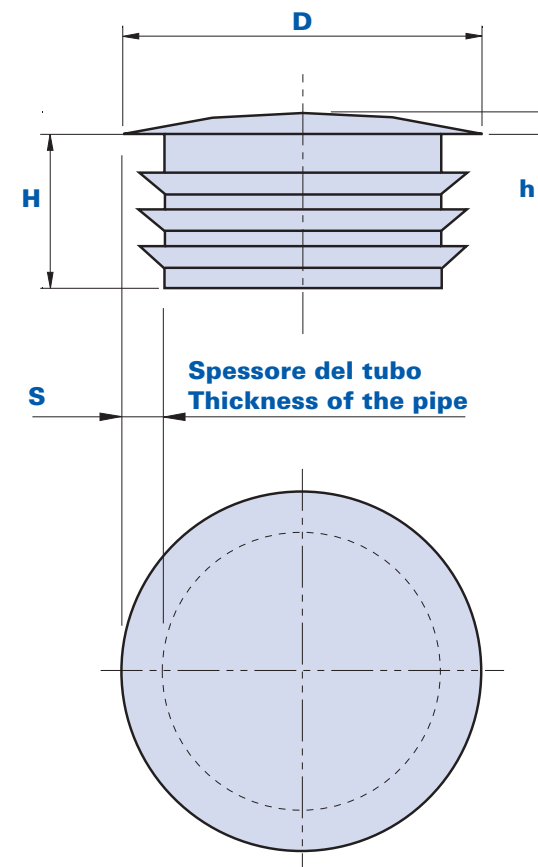
*Polyethylene-based (PE) technopolymer.  
Resistant to organic and inorganic chemical  
substances such as oils, greases, fuels and  
solvents.*

### **Colour**

*Black with satin finish. Other colours for  
suitable quantities.*

### **Package**

*IL-TB D.10÷D.42: 100 - 200 - 500 pcs.  
IL-TB D.45÷D.88,9: 50 - 100 - 200 pcs.*



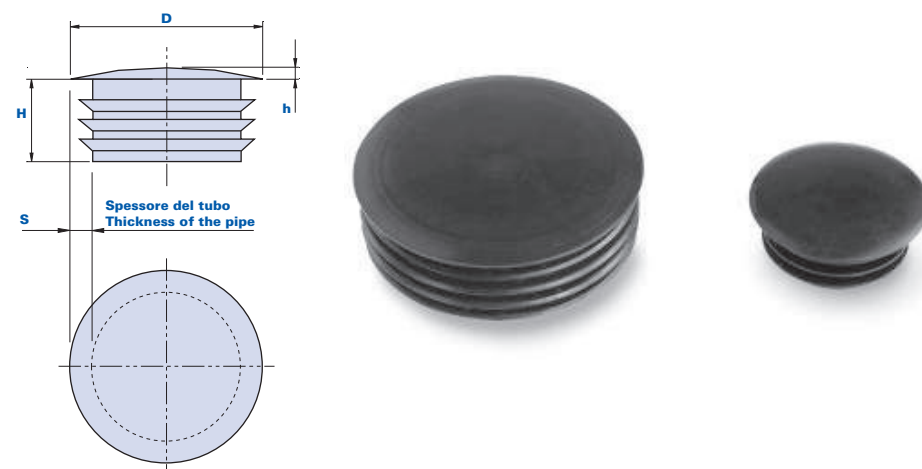


Codice Code	Descrizione Description	Dimensioni Dimensions				Peso kg x1000 pz. Weight kgs x1000 pcs.	Stock
		D	S	H	h		
<b>01ILTB10A</b>	IL-TB 10x0,8-1,5	10	0,8-1,5	11,5	2	0,29	✓
<b>01ILTB12A</b>	IL-TB 12x0,8-1,5	12	0,8-1,5	11,5	2	0,5	✓
<b>01ILTB13A</b>	IL-TB 13x0,8-2	13	0,8-2	11,5	3	0,48	✓
<b>01ILTB14A</b>	IL-TB 14x0,8-2	14	0,8-2	11,5	3	0,61	✓
<b>01ILTB15A</b>	IL-TB 15x0,8-2	15	0,8-2	11,5	3	0,5	✓
<b>01ILTB16A</b>	IL-TB 16x0,8-2	16	0,8-2	11,5	3	0,5	✓
<b>01ILTB18A</b>	IL-TB 18x0,8-2	18	0,8-2	11,5	3	0,75	✓
<b>01ILTB19A</b>	IL-TB 19x0,8-2	19	0,8-2	11,5	3	1,15	✓
<b>01ILTB20A</b>	IL-TB 20x0,8-2,5	20	0,8-2,5	11,5	3	1,19	✓
<b>01ILTB21A</b>	IL-TB 21x0,8-2,5	21	0,8-2,5	11,5	3	1,19	-
<b>01ILTB22A</b>	IL-TB 22x0,8-3	22	0,8-3	11,5	3	1,2	✓
<b>01ILTB22B</b>	IL-TB 22x1,8-3,5	22	1,8-3,5	11,5	3	1,3	✓



↓ **IL-TB**

Tappo bombato per tubi a sezione rotonda  
*Crowned cap for round-section pipes*



Codice Code	Descrizione Description	Dimensioni Dimensions				Peso kg x1000 pz. Weight kgs x1000 pcs.	Stock
		D	S	H	h		
01ILTB23A	IL-TB 23x0,8-3	23	0,8-3	11,5	3	1,4	-
01ILTB24A	IL-TB 24x0,8-2,5	24	0,8-2,5	11,5	3	1,6	✓
01ILTB25A	IL-TB 25x1-3	25	1-3	11,5	3	1,8	✓
01ILTB25B	IL-TB 25x3-5	25	3-5	11,5	3	1,67	-
01ILTB26A	IL-TB 26x0,8-3	26	0,8-3	11,5	3	1,9	✓
01ILTB27A	IL-TB 27x0,8-3	27	0,8-3	11,5	3	1,98	✓
01ILTB28A	IL-TB 28x0,8-3	28	0,8-3	11,5	3	2,06	✓
01ILTB30A	IL-TB 30x0,8-2,5	30	0,8-2,5	11,5	3	2,4	✓

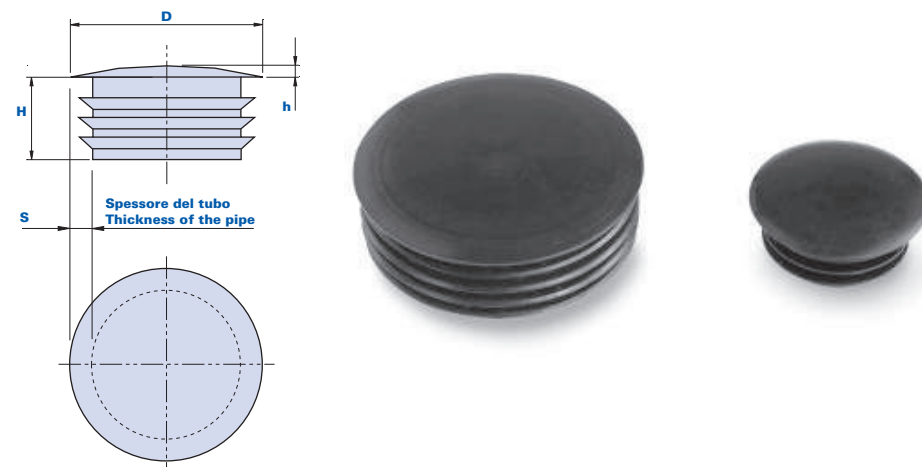
Codice <i>Code</i>	Descrizione <i>Description</i>	Dimensioni <i>Dimensions</i>				Peso kg x1000 pz. <i>Weight kgs</i> x1000 pcs.	Stock
		<b>D</b>	<b>S</b>	<b>H</b>	<b>h</b>		
<b>01ILTB30B</b>	IL-TB 30x2,5-4,5	30	2,5-4,5	11,5	3	2,35	-
<b>01ILTB32A</b>	IL-TB 32x0,8-2,5	32	0,8-2,5	11,5	3	2,37	-
<b>01ILTB32B</b>	IL-TB 32x2,5-4,5	32	2,5-4,5	11,5	3	2,7	-
<b>01ILTB34A</b>	IL-TB 34x0,8-3	34	0,8-3	11,5	3	2,95	✓
<b>01ILTB35A</b>	IL-TB 35x1-3	35	1-3	11,5	3	3,2	✓
<b>01ILTB38A</b>	IL-TB 38x1-3	38	1-3	11,5	3	4,2	✓
<b>01ILTB40A</b>	IL-TB 40x1-3	40	1-3	11,5	3	4,9	✓
<b>01ILTB42A</b>	IL-TB 42x0,8-2,5	42	0,8-2,5	11,5	3	4,7	✓
<b>01ILTB45A</b>	IL-TB 45x1-3	45	1-3	11,5	3	4,7	✓
<b>01ILTB48A</b>	IL-TB 48x1,2-3,6	48	1,2-3	11,5	3	4,9	-
<b>01ILTB50A</b>	IL-TB 50x1-2,5	50	1-2,5	11,5	3	6	✓





↓ **IL-TB**

Tappo bombato per tubi a sezione rotonda  
*Crowned cap for round-section pipes*



Codice Code	Descrizione Description	Dimensioni Dimensions				Peso kg x1000 pz. Weight kgs x1000 pcs.	Stock
		D	S	H	h		
<b>01ILTB55A</b>	IL-TB 55x1-2,5	55	1-2,5	14,5	3	8,7	-
<b>01ILTB60A</b>	IL-TB 60x1,5-3	60	1,5-3	18	3	10,7	✓
<b>01ILTB65A</b>	IL-TB 65x1,5-3,5	65	1,5-3,5	14,5	3	11,9	✓
<b>01ILTB70A</b>	IL-TB 70x1-3	70	1-3	14,5	3	4,9	-
<b>01ILTB75A</b>	IL-TB 75x1-2,5	75	1-2,5	14,5	3	13,9	-

Codice <i>Code</i>	Descrizione <i>Description</i>	Dimensioni <i>Dimensions</i>				Peso kg x1000 pz. <i>Weight kgs x1000 pcs.</i>	Stock
		<b>D</b>	<b>S</b>	<b>H</b>	<b>h</b>		
<b>01ILTB76A</b>	IL-TB 76x1,5-3,5	76	1,5-3,5	22	3	14,2	✓
<b>01ILTB80A</b>	IL-TB 80x1-3	80	1-3	14,5	3	16,3	✓
<b>01ILTB85A</b>	IL-TB 85x1,5-3	85	1,5-3	14,5	3	17,2	-
<b>01ILTB889A</b>	IL-TB 88,9x1,8-3,5	88,9	1,8-3,5	14,5	3	18,1	✓

# IL-T

## Tappo piano per tubi a sezione rotonda *Flat cap for round-section pipes*

### **Materiale**

Tecnopolimero a base polietilene (PE).  
Resistente a sostanze chimiche organiche  
ed inorganiche quali oli, grassi, carburanti,  
solventi.

### **Colore**

Nero finitura satinata. Altri colori per  
adeguate quantità.

### **Confezione**

IL-T D.10÷D.43: 100 - 200 - 500 pcs.  
IL-T D.45÷D.76: 50 - 100 - 200 pcs.  
IL-T D.80÷D.165: 10 - 50 - 100 pcs.

### **Material**

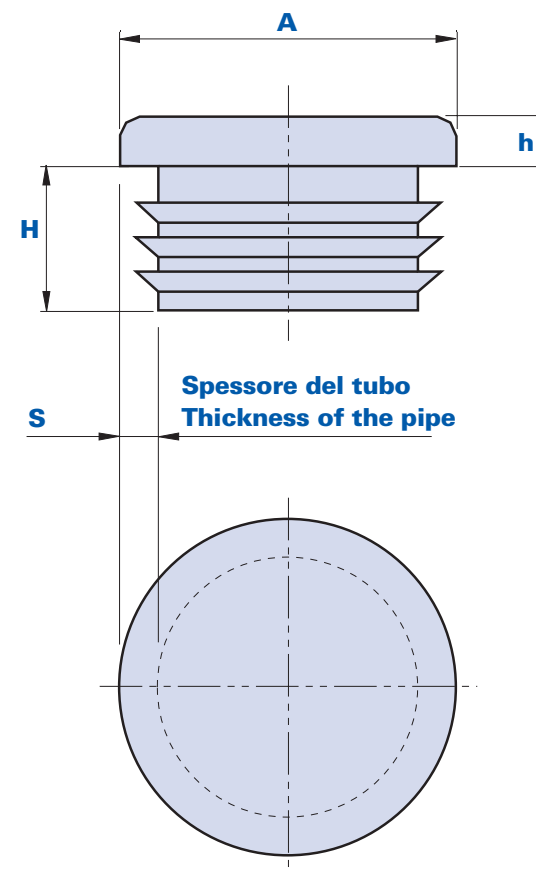
*Polyethylene-based (PE) technopolymer.  
Resistant to organic and inorganic chemical  
substances such as oils, greases, fuels and  
solvents.*

### **Colour**

*Black with satin finish. Other colours for  
suitable quantities.*

### **Package**

*IL-T D.10÷D.43: 100 - 200 - 500 pcs.  
IL-T D.45÷D.76: 50 - 100 - 200 pcs.  
IL-T D.80÷D.165: 10 - 50 - 100 pcs.*





Dimensioni  
Dimensions

Peso kg  
x1000 pz.  
Weight kgs  
x1000 pcs.

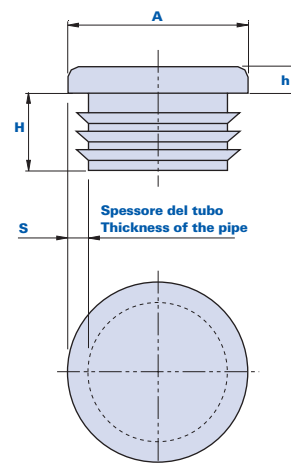
Stock

Codice Code	Descrizione Description	Dimensioni Dimensions				Peso kg x1000 pz. Weight kgs x1000 pcs.	Stock
		A	S	h	H		
<b>01ILT10A</b>	IL-T 10x1,0-2,0	10	1-2	3,5	11	0,47	✓
<b>01ILT12A</b>	IL-T 12x1,0-2,0	12	1-2	3,5	11	0,68	✓
<b>01ILT13A</b>	IL-T 13x1,0-2,0	13	1-2	4	11	0,8	✓
<b>01ILT14A</b>	IL-T 14x1,0-2,0	14	1-2	5	11,5	1,06	✓
<b>01ILT15A</b>	IL-T 15x1,0-2,0	15	1-2	3	13	1	✓
<b>01ILT16A</b>	IL-T 16x1,0-2,0	16	1-2	5	11	0,7	✓
<b>01ILT18A</b>	IL-T 18x1,0-2,0	18	1-2	5	11,5	1,64	✓
<b>01ILT18B</b>	IL-T 18x2,5-3,5	18	2,5-3,5	5	11,5	1,64	✓
<b>01ILT19A</b>	IL-T 19x1,0-2,5	19	1-2,5	5	11,5	1,76	✓
<b>01ILT20A</b>	IL-T 20x1,0-2,5	20	1-2,5	5	11,5	1,95	✓
<b>01ILT21A</b>	IL-T 21x1,0-2,0	21	1-2	5	11,5	1,93	✓
<b>01ILT22A</b>	IL-T 22x1,0-2,0	22	1-2	5	11,5	2,52	✓



↓ **IL-T**

Tappo piano per tubi a sezione rotonda  
*Flat cap for round-section pipes*

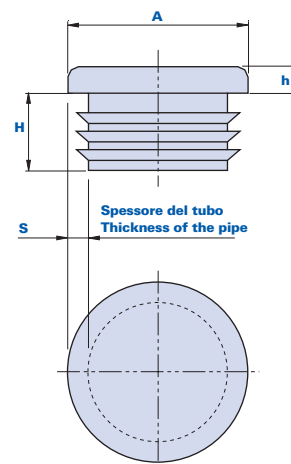


Codice Code	Descrizione Description	Dimensioni Dimensions				Peso kg x1000 pz. Weight kgs x1000 pcs.	Stock
		A	S	h	H		
01ILT22B	IL-T 22x2,0-3,5	22	2-3,5	5	11,5	2,18	✓
01ILT23A	IL-T 23x1,0-2,5	23	1-2,5	5	11,5	2,35	-
01ILT24A	IL-T 24x1,0-2,5	24	1-2,5	5	11,5	2,4	✓
01ILT25A	IL-T 25x1,0-3,0	25	1-3	5	11,5	2,7	✓
01ILT25B	IL-T 25x3,5-4,0	25	3,5-4	4	11,5	2,77	✓
01ILT254A	IL-T 25,4x1,2-3,2	25,4	1,2-3,2	5	11,5	2,8	✓
01ILT26A	IL-T 26x1,0-3,0	26	1-3	5	11,5	2,7	✓
01ILT27A	IL-T 27x1,0-3,0	27	1-3	5	11,5	2,88	✓
01ILT28A	IL-T 28x1,0-3,0	28	1-3	5	11,5	2,94	✓
01ILT30A	IL-T 30x1,0-2,5	30	1-2,5	5	11,5	3,44	✓
01ILT30B	IL-T 30x2,5-4,5	30	2,5-4,5	5	11,5	3,44	✓
01ILT32A	IL-T 32x1,0-3,0	32	1-3	5	12	3,91	✓

Codice <i>Code</i>	Descrizione <i>Description</i>	Dimensioni <i>Dimensions</i>				Peso kg x1000 pz. <i>Weight kgs x1000 pcs.</i>	Stock
		<b>A</b>	<b>S</b>	<b>h</b>	<b>H</b>		
<b>01ILT32B</b>	IL-T 32x2,5-5,0	32	2,5-5	5	11,5	3,75	✓
<b>01ILT32C</b>	IL-T 32x3,5-5,5	32	3,5-5,5	5	11,5	3,8	-
<b>01ILT34A</b>	IL-T 34x1,0-3,0	34	1-3	5	11,5	4,6	✓
<b>01ILT34B</b>	IL-T 34x3,5-4,0	34	3,5-4	5	11,5	4,66	-
<b>01ILT35A</b>	IL-T 35x1,0-3,0	35	1-3	5	11,5	4,15	✓
<b>01ILT35B</b>	IL-T 35x2,5-4,5	35	2,5-4,5	5	11,5	4,52	✓
<b>01ILT36A</b>	IL-T 36x1,0-3,0	36	1-3	5	11,5	5,32	-
<b>01ILT37A</b>	IL-T 37x1,0-3,0	37	1-3	5	11,5	4,7	-
<b>01ILT38A</b>	IL-T 38x1,0-3,0	38	1-3	5	11,5	4,9	✓
<b>01ILT38B</b>	IL-T 38x3,0-5,0	38	3-5	5	11,5	5,6	✓
<b>01ILT40A</b>	IL-T 40x1,0-3,0	40	1-3	5	11,5	5,9	✓
<b>01ILT40B</b>	IL-T 40x3,0-5,0	40	3-5	5	11,5	5,45	✓



Tappo piano per tubi a sezione rotonda  
Flat cap for round-section pipes



Codice Code	Descrizione Description	Dimensioni Dimensions				Peso kg x1000 pz. Weight kgs x1000 pcs.	Stock
		A	S	h	H		
01ILT42A	IL-T 42x1,0-3,0	42	1-3	5	11,5	6,2	✓
01ILT42B	IL-T 42x3,0-6,0	42	3-6	5	11,5	5,68	✓
01ILT43A	IL-T 43x2,0-2,5	43	2-2,5	5	11,5	6,84	-
01ILT45A	IL-T 45x1,0-3,0	45	1-3	5	11	8,2	✓
01ILT45B	IL-T 45x3,0-5,0	45	3-5	5	11,5	7,5	-
01ILT46A	IL-T 46x1,5-3,5	46	1,5-3,5	5	11,5	7,5	-
01ILT48A	IL-T 48x1,2-3,6	48	1,2-3,6	5	11,5	7,5	✓
01ILT48B	IL-T 48x2,5-5,0	48	2,5-5	5	11,5	7,31	✓
01ILT50A	IL-T 50x1,0-2,5	50	1-2,5	5	11,5	9,7	✓
01ILT50B	IL-T 50x2,5-4,5	50	2,5-4,5	5	11,5	7,45	✓
01ILT52A	IL-T 52x1,5-3,5	52	1,5-3,5	5	14,5	9,42	✓
01ILT55A	IL-T 55x1,0-3,0	55	1-3	5	11,5	9,52	✓

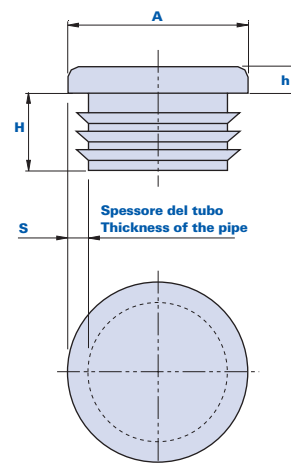
Codice Code	Descrizione Description	Dimensioni Dimensions				Peso kg x1000 pz. Weight kgs x1000 pcs.	Stock
		A	S	h	H		
<b>01ILT55B</b>	IL-T 55x3,0-5,0	55	3-5	5	14,5	10,53	-
<b>01ILT60A</b>	IL-T 60x1,5-3,0	60	1,5-3	5	18,5	16,4	✓
<b>01ILT60B</b>	IL-T 60x3,0-5,0	60	3-5	5	21	12,45	✓
<b>01ILT65A</b>	IL-T 65x1,5-3,5	65	1,5-3,5	5	21	18	✓
<b>01ILT65B</b>	IL-T 65x3,0-5,0	65	3-5	5	21	18,4	✓
<b>01ILT70A</b>	IL-T 70x1,5-3,5	70	1,5-3,5	5	21	24,3	✓
<b>01ILT70B</b>	IL-T 70x2,0-4,5	70	2-4,5	5	21	24,5	✓
<b>01ILT75A</b>	IL-T 75x1,0-3,5	75	1-3,5	6	21,5	24,12	✓
<b>01ILT75B</b>	IL-T 75x3,0-5,0	75	3-5	6	21,5	24,12	✓
<b>01ILT76A</b>	IL-T 76x1,6-4,0	76	1,6-4	6	21,5	25,4	✓
<b>01ILT76B</b>	IL-T 76x3,5-6,0	76	3,5-6	6	21,5	26	✓
<b>01ILT80A</b>	IL-T 80x1,5-3,0	80	1,5-3	4	21	32,6	✓





↓ **IL-T**

Tappo piano per tubi a sezione rotonda  
*Flat cap for round-section pipes*



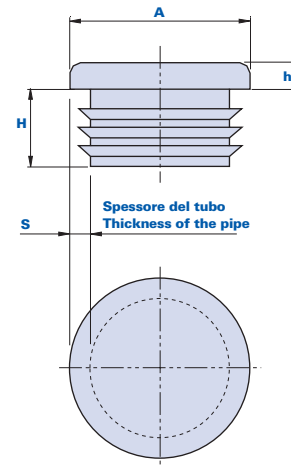
Codice Code	Descrizione Description	Dimensioni Dimensions				Peso kg x1000 pz. Weight kgs x1000 pcs.	Stock
		A	S	h	H		
01ILT80B	IL-T 80x3,0-5,5	80	3-5,5	4	21	33	-
01ILT85A	IL-T 85x1,5-4,0	85	1,5-4	6	21	27,62	✓
01ILT85B	IL-T 85x3,5-6,0	85	3,5-6	6	21	28	-
01ILT88A	IL-T 88x1,5-4,0	88,9	1,5-4	6	21,5	32	✓

Codice Code	Descrizione Description	Dimensioni Dimensions				Peso kg x1000 pz. Weight kgs x1000 pcs.	Stock
		A	S	h	H		
<b>01ILT88B</b>	IL-T 88x3,5-6,0	88,9	3,5-6	6	21	33	-
<b>01ILT90A</b>	IL-T 90x1,5-5,0	90	1,5-5	6	20	34,2	✓
<b>01ILT95A</b>	IL-T 95x1,5-4,0	95	1,5-4	6	21	34,5	-
<b>01ILT100A</b>	IL-T 100x2,0-4,5	100	2-4,5	6	28,5	41,4	✓
<b>01ILT1016A</b>	IL-T 101,6x3,6-6,0	101,6	3,6-6	6	28	42	✓
<b>01ILT102A</b>	IL-T 102x2,0-4,0	102	2-4	5	20	41	✓
<b>01ILT105A</b>	IL-T 105x2,0-4,5	105	2-4,5	6	29	47,1	✓
<b>01ILT108A</b>	IL-T 108x3,0-5,0	108	3-5	6	28	49	-
<b>01ILT110A</b>	IL-T 110x2,0-4,5	110	2-4,5	6	28,5	51,8	-



↓ **IL-T**

Tappo piano per tubi a sezione rotonda  
*Flat cap for round-section pipes*



Codice Code	Descrizione Description	Dimensioni Dimensions				Peso kg x1000 pz. Weight kgs x1000 pcs.	Stock
		A	S	h	H		
01ILT114A	IL-T 114x2,6-5,5	114	2,6-5,5	6	29	53,6	✓
01ILT120A	IL-T 120x2,0-4,0	120	2-4	6	28,5	61	✓
01ILT125A	IL-T 125x2,0-6,0	125	2-6	6	33	71	-
01ILT127A	IL-T 127x3,2-7,0	127	3,2-7	6	34	72	✓
01ILT130A	IL-T 130x2,0-6,0	130	2-6	6	33	76,41	-
01ILT133A	IL-T 133x2,0-6,0	133	2-6	6	33	77	-

Codice <i>Code</i>	Descrizione <i>Description</i>	Dimensioni <i>Dimensions</i>				Peso kg x1000 pz. <i>Weight kgs</i> x1000 pcs.	Stock
		<b>A</b>	<b>S</b>	<b>h</b>	<b>H</b>		
<b>01ILT140A</b>	IL-T 140x2,0-6,5	140	2-6,5	6	34	81,9	-
<b>01ILT150A</b>	IL-T 150x2,0-7,0	150	2-7	6	34	91,6	✓
<b>01ILT159A</b>	IL-T 159x2,0-6,5	159	2-6,5	6	34	120,9	-
<b>01ILT160A</b>	IL-T 160x2,5-7,0	160	2,5-7	6	34	118,9	-
<b>01ILT165A</b>	IL-T 165x3,2-7,5	165	3,2-7,5	6	34	120	-

# GLB

**PUZZLE  
ADVANCE**  
COMÉRCIO DE ACESSÓRIOS INDUSTRIAIS

**CLAUSUM**<sup>®</sup>



## Tappo piano per tubi a sezione rotonda in pollici *Flat cap for round-section pipes in inches*

### **Materiale**

Tecnopolimero a base polietilene (PE).  
Resistente a sostanze chimiche organiche ed inorganiche quali oli, grassi, carburanti, solventi.

### **Colore**

Nero finitura satinata.

### **Confezione**

100 - 200 - 500 pcs.

### **Material**

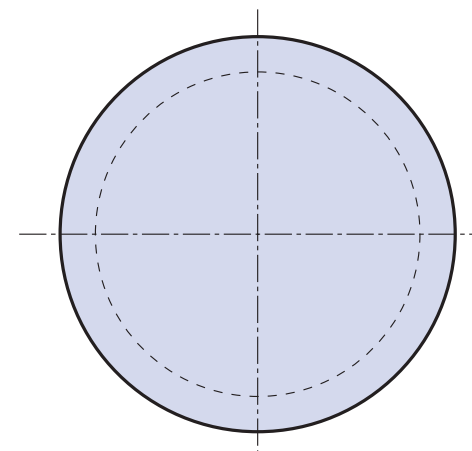
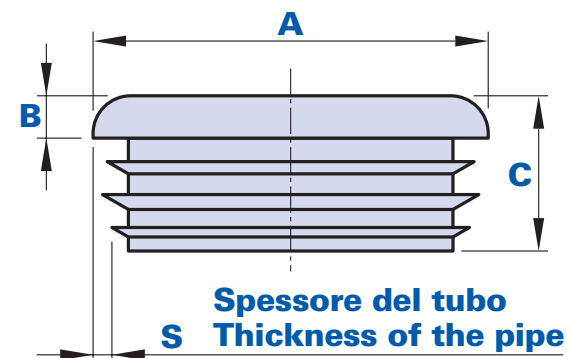
*Polyethylene-based (PE) technopolymer.  
Resistant to organic and inorganic chemical substances such as oils, greases, fuels and solvents.*

### **Colour**

*Black with satin finish.*

### **Package**

*100 - 200 - 500 pcs.*





Codice <i>Code</i>	Descrizione <i>Description</i>	Dimensioni <i>Dimensions</i>					Peso grammi <i>Weight grams</i>	Stock
		A (mm)	A (" ISO 228)	S	B	C		
<b>01GLB27</b>	GLB D.27	27	3/4"	1-2	3,5	15,5	2,8	✓
<b>01GLB34</b>	GLB D.34	34	1"	1-2	3,5	15,5	4,6	✓
<b>01GLB42</b>	GLB D.42	42	1-1/4"	1-2	4,5	15,5	6,2	✓
<b>01GLB48</b>	GLB D.48	48	1-1/2"	1-2	4,5	15,5	7,5	✓

# 3100T

Tappo bombato per tubi a sezione rotonda  
*Crowned cap for round-section pipes*

## **Materiale**

Tecnopolimero a base polietilene (PE).  
Resistente a sostanze chimiche organiche  
ed inorganiche quali oli, grassi, carburanti,  
solventi.

## **Colore**

Nero finitura satinata.

## **Confezione**

3100T D.10 ÷ D.40: 100 - 200 - 500 pcs.  
3100T D.45 ÷ D.80: 50 - 100 - 200 pcs.

## **Material**

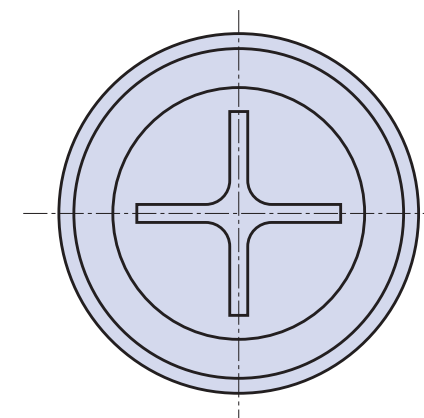
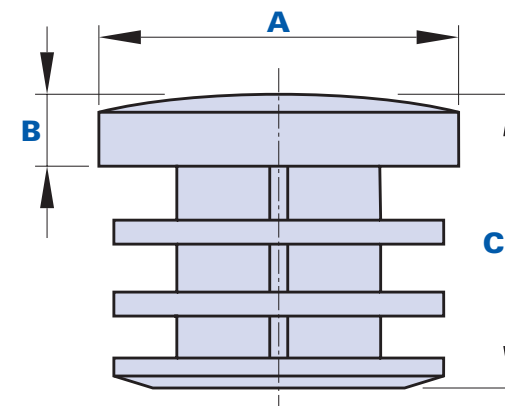
*Polyethylene-based (PE) technopolymer.  
Resistant to organic and inorganic chemical  
substances such as oils, greases, fuels and  
solvents.*

## **Colour**

*Black with satin finish.*

## **Package**

*3100T D.10 ÷ D.40: 100 - 200 - 500 pcs.  
3100T D.45 ÷ D.80: 50 - 100 - 200 pcs.*





Dimensioni  
*Dimensions*

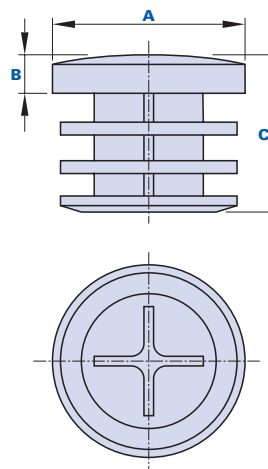
Codice <i>Code</i>	Descrizione <i>Description</i>	Dimensioni <i>Dimensions</i>			Peso grammi <i>Weight grams</i>	Stock
		<b>A</b>	<b>B</b>	<b>C</b>		
<b>3100T0001000</b>	3100T D.10	10	5	14	1	-
<b>3100T0001200</b>	3100T D.12	12	5	15	1,1	✓
<b>3100T0001400</b>	3100T D.14	14	5	19	1,29	✓
<b>3100T0001600</b>	3100T D.16	16	5	21	1,5	✓
<b>3100T0001800</b>	3100T D.18	18	5	18	2	-
<b>3100T0002000</b>	3100T D.20	20	5	18	2,4	✓
<b>3100T0002200</b>	3100T D.22	22	5	18	2,88	✓
<b>3100T0002400</b>	3100T D.24	24	5	25	4,2	-
<b>3100T0002500</b>	3100T D.25	25	5	24	4,7	✓
<b>3100T0002600</b>	3100T D.26	26	5	25	5,5	-





↓ **3100T**

Tappo bombato per tubi a sezione rotonda  
*Crowned cap for round-section pipes*



Codice Code	Descrizione Description	Dimensioni Dimensions			Peso grammi Weight grams	Stock
		A	B	C		
<b>3100T0002800</b>	3100T D.28	28	5	24	6,6	✓
<b>3100T0003000</b>	3100T D.30	30	5	24	7,8	✓
<b>3100T0003200</b>	3100T D.32	32	5	24	8,7	✓
<b>3100T0003500</b>	3100T D.35	35	5	25	9,4	✓
<b>3100T0003800</b>	3100T D.38	38	5	27	12,5	-

Codice <i>Code</i>	Descrizione <i>Description</i>	Dimensioni <i>Dimensions</i>			Peso grammi <i>Weight grams</i>	Stock
		<b>A</b>	<b>B</b>	<b>C</b>		
<b>3100T0004000</b>	3100T D.40	40	5	27	14	✓
<b>3100T0004500</b>	3100T D.45	45	5	35	19,8	✓
<b>3100T0005000</b>	3100T D.50	50	5	27	25,1	✓
<b>3100T0006000</b>	3100T D.60	60	5	29	35,6	✓
<b>3100T0008000</b>	3100T D.80	80	5	38	50,7	✓

# IL-Q

## Tappo piano per tubi a sezione quadrata *Flat cap for square-section pipes*

### **Materiale**

Tecnopolimero a base polietilene (PE).  
Resistente a sostanze chimiche organiche  
ed inorganiche quali oli, grassi, carburanti,  
solventi.

### **Colore**

Nero finitura satinata. Altri colori per  
adeguate quantità.

### **Confezione**

IL-Q 10x10 ÷ 40x40: 100 - 200 - 500 pcs.  
IL-Q 45x45 ÷ 75x75: 50 - 100 - 200 pcs.  
IL-Q 80x80 ÷ 150x150: 10 - 50 - 100 pcs.

### **Material**

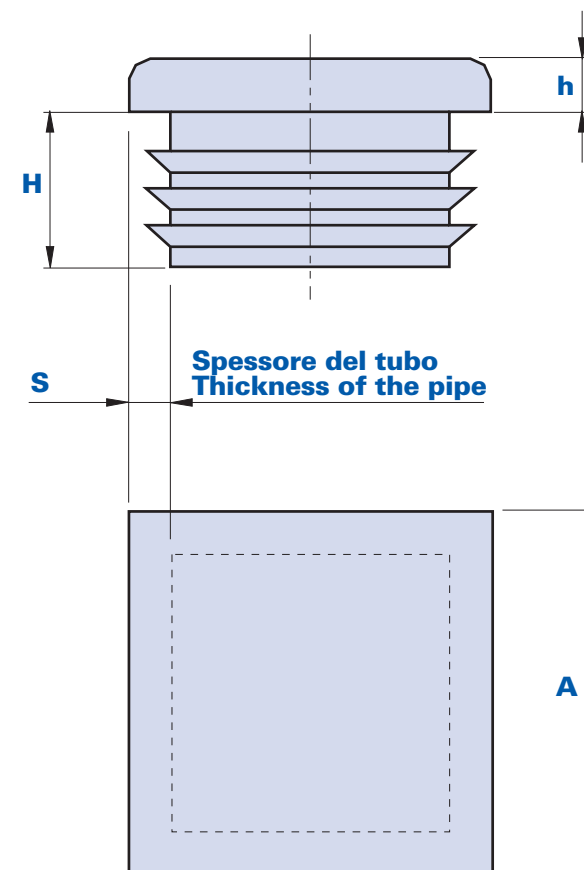
*Polyethylene-based (PE) tecnopolymer.  
Resistant to organic and inorganic chemical  
substances such as oils, greases, fuels and  
solvents.*

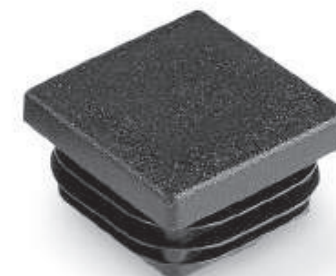
### **Colour**

*Black with satin finish. Other colours for  
suitable quantities.*

### **Package**

*IL-Q 10x10 ÷ 40x40: 100 - 200 - 500 pcs.  
IL-Q 45x45 ÷ 75x75: 50 - 100 - 200 pcs.  
IL-Q 80x80 ÷ 150x150: 10 - 50 - 100 pcs.*





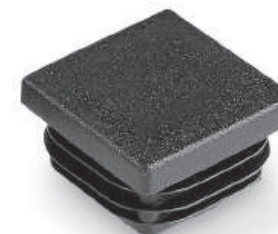
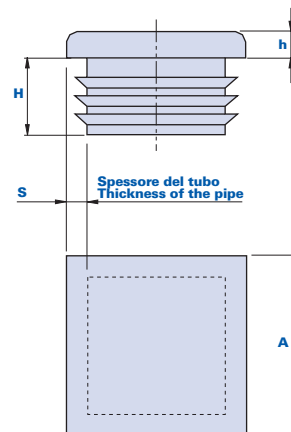
Dimensioni  
 Dimensions

Codice Code	Descrizione Description	Dimensioni Dimensions				Peso kg x1000 pz. Weight kgs x1000 pcs.	Stock
		A	S	h	H		
<b>01ILQ1010A</b>	IL-Q 10x10x0,8-2,5	10x10	0,8-2,5	4	12	0,65	✓
<b>01ILQ1212A</b>	IL-Q 12x12x1,0-2,0	12x12	1-2	4	12	0,85	-
<b>01ILQ1313A</b>	IL-Q 13x13x0,5-2,0	13x13	0,5-2	4	12	1,05	-
<b>01ILQ1515A</b>	IL-Q 15x15x1,0-2,0	15x15	1-2	3	14	1,2	✓
<b>01ILQ1616A</b>	IL-Q 16x16x1,0-2,5	16x16	1-2,5	5	11,5	1,6	-
<b>01ILQ1818A</b>	IL-Q 18x18x1,5-3,0	18x18	1,5-3	5	11,5	2	-
<b>01ILQ1919A</b>	IL-Q 19x19x1,2-2,9	19x19	1,2-2,9	5	11,5	2,2	-
<b>01ILQ2020A</b>	IL-Q 20x20x1,0-3,0	20x20	1-3	5	11,5	2,4	✓
<b>01ILQ2222A</b>	IL-Q 22x22x1,0-3,5	22x22	1-3,5	5	12	2,7	-
<b>01ILQ2525A</b>	IL-Q 25x25x1,0-3,0	25x25	1-3	5	11,5	3,44	✓
<b>01ILQ2828A</b>	IL-Q 28x28x1,0-3,0	28x28	1-3	5	11,5	4,25	✓
<b>01ILQ3030A</b>	IL-Q 30x30x1,0-3,0	30x30	1-3	5	11,5	4,39	✓
<b>01ILQ3030B</b>	IL-Q 30x30x2,5-4,5	30x30	2,5-4,5	5	11,5	4,35	✓



↓ **IL-Q**

Tappo piano per tubi a sezione quadrata  
*Flat cap for square-section pipes*



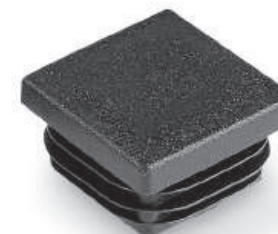
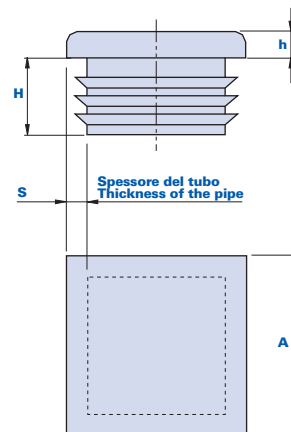
Codice Code	Descrizione Description	Dimensioni Dimensions				Peso kg x1000 pz. Weight kgs x1000 pcs.	Stock
		A	S	h	H		
<b>01ILQ3232A</b>	IL-Q 32x32x1,0-3,5	32x32	1-3,5	5	11,5	6	✓
<b>01ILQ3434A</b>	IL-Q 34x34x1,0-3,0	34x34	1-3	5	14,5	6	-
<b>01ILQ3535A</b>	IL-Q 35x35x1,0-3,0	35x35	1-3	5	14,5	6,03	✓
<b>01ILQ3535B</b>	IL-Q 35x35x2,5-5,0	35x35	2,5-5	5	12	6,13	-
<b>01ILQ3838A</b>	IL-Q 38x38x1,0-3,5	38x38	1-3,5	5	14,5	7,15	✓
<b>01ILQ4040A</b>	IL-Q 40x40x1,0-3,0	40x40	1-3	5	14,5	7,78	✓
<b>01ILQ4040B</b>	IL-Q 40x40x3,0-5,0	40x40	3-5	5	14,5	8,7	✓
<b>01ILQ4545A</b>	IL-Q 45x45x1,0-3,0	45x45	1-3	5	14,5	9,2	✓
<b>01ILQ4545B</b>	IL-Q 45x45x3,0-5,0	45x45	3-5	5	14,5	10,14	-

Codice Code	Descrizione Description	Dimensioni Dimensions				Peso kg x1000 pz. Weight kgs x1000 pcs.	Stock
		A	S	h	H		
01ILQ4848A	IL-Q 48x48x1,0-2,5	48x48	1-2,5	5	14,5	10,3	-
01ILQ4848B	IL-Q 48x48x2,5-4,5	48x48	2,5-4,5	5	14,5	10,32	-
01ILQ5050A	IL-Q 50x50x1,0-2,5	50x50	1-2,5	5	14,5	10,8	✓
01ILQ5050B	IL-Q 50x50x2,6-4,0	50x50	2,6-4	6,5	25	11,26	✓
01ILQ5050C	IL-Q 50x50x3,5-6,0	50x50	3,5-6	6,5	14,5	11,1	✓
01ILQ508508A	IL-Q 50,8x50,8x1,2-3,2	50,8x50,8	1,2-3,2	5	14,5	12,1	✓
01ILQ5252A	IL-Q 52x52x1,5-3,5	52x52	1,5-3,5	5	14	12	-
01ILQ5555A	IL-Q 55x55x2,0-4,5	55x55	2-4,5	5	14,5	13,5	✓
01ILQ6060A	IL-Q 60x60x1,5-3,5	60x60	1,5-3,5	5	15	19,2	✓
01ILQ6060B	IL-Q 60x60x3,0-5,0	60x60	3-5	6,5	17,5	19	✓



↓ **IL-Q**

Tappo piano per tubi a sezione quadrata  
*Flat cap for square-section pipes*



Codice Code	Descrizione Description	Dimensioni Dimensions				Peso kg x1000 pz. Weight kgs x1000 pcs.	Stock
		A	S	h	H		
<b>01ILQ6565A</b>	IL-Q 65x65x1,0-3,0	65x65	1-3	5	21	23	✓
<b>01ILQ7070A</b>	IL-Q 70x70x2,0-5,0	70x70	2-5	5	19	25,2	✓
<b>01ILQ7070B</b>	IL-Q 70x70x3,6-5,0	70x70	3,6-5	8	19,5	23,75	✓
<b>01ILQ7575A</b>	IL-Q 75x75x2,0-4,5	75x75	2-4,5	6	21	27,85	-
<b>01ILQ8080A</b>	IL-Q 80x80x1,5-4,0	80x80	1,5-4	6	21	33,5	✓
<b>01ILQ8080B</b>	IL-Q 80x80x2,5-5,0	80x80	2,5-5	8	24	33	✓
<b>01ILQ8080C</b>	IL-Q 80x80x4,0-7,0	80x80	4-7	6	21	32,8	✓
<b>01ILQ9090A</b>	IL-Q 90x90x3,0-5,0	90x90	3-5	6	25	47,3	✓
<b>01ILQ9595A</b>	IL-Q 95x95x3,5-5,5	95x95	3,5-5,5	6	21,5	53	-

Codice <i>Code</i>	Descrizione <i>Description</i>	Dimensioni <i>Dimensions</i>				Peso kg x1000 pz. <i>Weight kgs</i> x1000 pcs.	Stock
		<b>A</b>	<b>S</b>	<b>h</b>	<b>H</b>		
<b>01ILQ100100A</b>	IL-Q 100x100x1,0-4,0	100x100	1-4	7	24	62	✓
<b>01ILQ100100B</b>	IL-Q 100x100x5,0-8,0	100x100	5-8	7	24	61	✓
<b>01ILQ110110A</b>	IL-Q 110x110x3,0-5,0	110x110	3-5	6	24	69	✓
<b>01ILQ120120A</b>	IL-Q 120x120x2,5-6,0	120x120	2,5-6	5	25	89	✓
<b>01ILQ125125A</b>	IL-Q 125x125x3,0-6,0	125x125	3-6	5	25	92	-
<b>01ILQ140140A</b>	IL-Q 140x140x4,0-7,0	140x140	4-7	6	34	95	-
<b>01ILQ150150A</b>	IL-Q 150x150x5,0-8,0	150x150	5-8	6	27	108	✓
<b>01ILQ150150B</b>	IL-Q 150x150x10,0-12,5	150x150	10-12,5	6	27	110	-



# 3101Q

## Tappo piano per tubi a sezione quadrata *Flat cap for square-section pipes*

### **Materiale**

Tecnopolimero a base polietilene (PE).  
Resistente a sostanze chimiche organiche ed inorganiche quali oli, grassi, carburanti, solventi.

### **Colore**

Nero finitura satinata.

### **Confezione**

3101Q 12x12 ÷ 40x40: 100 - 200 - 500 pcs.  
3101Q 50x50 ÷ 80x80: 50 - 100 - 200 pcs.

### **Material**

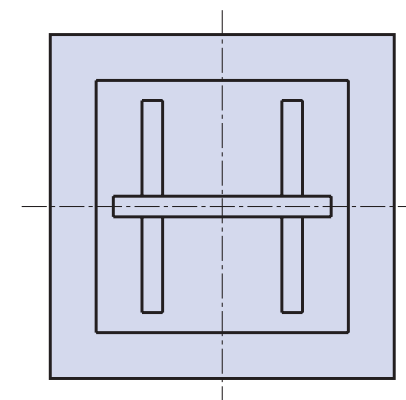
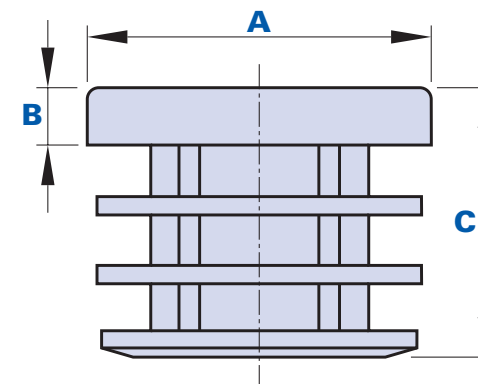
*Polyethylene-based (PE) technopolymer.  
Resistant to organic and inorganic chemical substances such as oils, greases, fuels and solvents.*

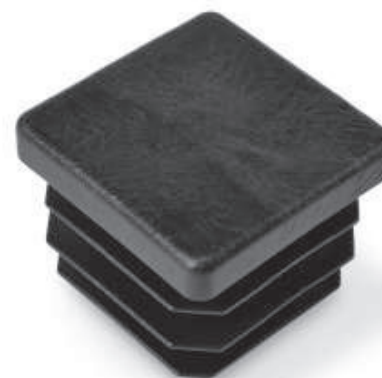
### **Colour**

*Black with satin finish.*

### **Package**

*3101Q 12x12 ÷ 40x40: 100 - 200 - 500 pcs.  
3101Q 50x50 ÷ 80x80: 50 - 100 - 200 pcs.*





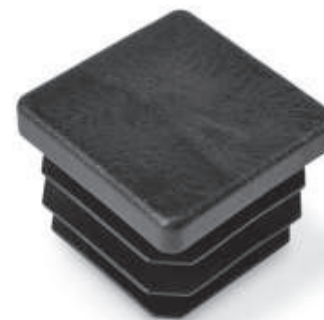
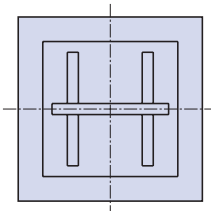
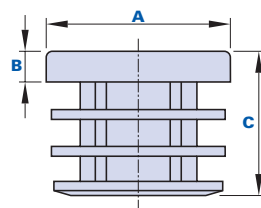
Dimensioni  
Dimensions

Codice Code	Descrizione Description	Dimensioni Dimensions			Peso grammi Weight grams	Stock
		A	B	C		
<b>3101Q0121200</b>	3101Q 12x12	12x12	5	17	1	-
<b>3101Q0151500</b>	3101Q 15x15	15x15	4	15	1,5	-
<b>3101Q0161600</b>	3101Q 16x16	16x16	5	22	2	-
<b>3101Q0181800</b>	3101Q 18x18	18x18	5	17	2,5	-
<b>3101Q0202000</b>	3101Q 20x20	20x20	5	22	3,1	✓
<b>3101Q0222200</b>	3101Q 22x22	22x22	5	22	3,8	✓
<b>3101Q0252500</b>	3101Q 25x25	25x25	5	22	4,5	✓
<b>3101Q0303000</b>	3101Q 30x30	30x30	5	24	8,65	✓



↓ **3101Q**

Tappo piano per tubi a sezione quadrata  
*Flat cap for square-section pipes*



Codice <i>Code</i>	Descrizione <i>Description</i>	Dimensioni <i>Dimensions</i>			Peso grammi <i>Weight grams</i>	Stock
		<b>A</b>	<b>B</b>	<b>C</b>		
<b>3101Q0353500</b>	3101Q 35x35	35x35	6	24	12,2	-
<b>3101Q0404000</b>	3101Q 40x40	40x40	6	24	16,8	✓
<b>3101Q0505000</b>	3101Q 50x50	50x50	6	28	22,2	✓

Codice <i>Code</i>	Descrizione <i>Description</i>	Dimensioni <i>Dimensions</i>			Peso grammi <i>Weight grams</i>	Stock
		<b>A</b>	<b>B</b>	<b>C</b>		
<b>3101Q0606000</b>	3101Q 60x60	60x60	6	30	42,9	✓
<b>3101Q0707000</b>	3101Q 70x70	70x70	6	31	57	-
<b>3101Q0808000</b>	3101Q 80x80	80x80	6	36	63,4	✓

# IL-R

## Tappo piano per tubi a sezione rettangolare *Flat cap for rectangular-section pipes*

### **Materiale**

Tecnopolimero a base polietilene (PE).  
Resistente a sostanze chimiche organiche  
ed inorganiche quali oli, grassi, carburanti,  
solventi.

### **Colore**

Nero finitura satinata. Altri colori per  
adeguate quantità.

### **Confezione**

IL-R 20x10 ÷ 40x35: 100 - 200 - 500 pcs.  
IL-R 45x15 ÷ 75x50: 50 - 100 - 200 pcs.  
IL-R 80x20 ÷ 200x120: 10 - 50 - 100 pcs.

### **Material**

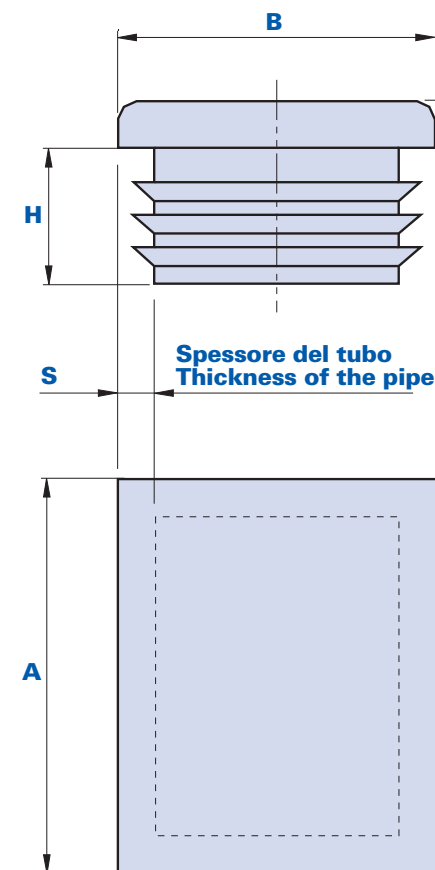
*Polyethylene-based (PE) technopolymer.  
Resistant to organic and inorganic chemical  
substances such as oils, greases, fuels and  
solvents.*

### **Colour**

*Black with satin finish. Other colours for  
suitable quantities.*

### **Package**

*IL-R 20x10 ÷ 40x35: 100 - 200 - 500 pcs.  
IL-R 45x15 ÷ 75x50: 50 - 100 - 200 pcs.  
IL-R 80x20 ÷ 200x120: 10 - 50 - 100 pcs.*





Dimensioni  
*Dimensions*

Peso kg  
x1000 pz.  
*Weight kgs  
x1000 pcs.*

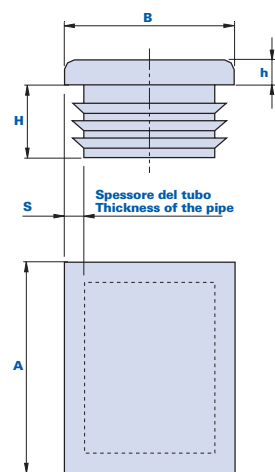
**Stock**

Codice <i>Code</i>	Descrizione <i>Description</i>	Dimensioni <i>Dimensions</i>				Peso kg x1000 pz. <i>Weight kgs x1000 pcs.</i>	Stock
		<b>A</b>	<b>S</b>	<b>h</b>	<b>H</b>		
<b>01ILR2010A</b>	IL-R 20x10x0,8-2,0	20x10	0,8-2	3	11	1,13	✓
<b>01ILR2015A</b>	IL-R 20x15x1,0-2,0	20x15	1-2	5	11,5	1,85	✓
<b>01ILR2016A</b>	IL-R 20x16x0,8-2,0	20x16	1-2	5	11,5	2	-
<b>01ILR2510A</b>	IL-R 25x10x1,0-2,0	25x10	1-2	3	11,5	1,51	-
<b>01ILR2515A</b>	IL-R 25x15x1,0-2,5	25x15	1-2,5	5	11,5	2,4	✓
<b>01ILR2520A</b>	IL-R 25x20x1,0-3,0	25x20	1-3	3	11,5	2,6	✓
<b>01ILR3010A</b>	IL-R 30x10x1,0-2,0	30x10	1-2	5	11,5	1,85	✓
<b>01ILR3015A</b>	IL-R 30x15x1,0-2,5	30x15	1-2,5	5	11,5	2,82	✓
<b>01ILR3020A</b>	IL-R 30x20x1,0-3,0	30x20	1-3	5	11,5	3,46	✓
<b>01ILR3025A</b>	IL-R 30x25x1,5	30x25	1,5	3,5	13,5	5,2	-
<b>01ILR3510A</b>	IL-R 35x10x1,0-2,0	35x10	1-2	5	11,5	3	-
<b>01ILR3515A</b>	IL-R 35x15x1,0-3,0	35x15	1-3	5	11,5	3,5	✓



↓ **IL-R**

Tappo piano per tubi a sezione rettangolare  
*Flat cap for rectangular-section pipes*



Codice Code	Descrizione Description	Dimensioni Dimensions				Peso kg x1000 pz. Weight kgs x1000 pcs.	Stock
		A	S	h	H		
01ILR3520A	IL-R 35x20x1,0-2,5	35x20	1-2,5	5	11,5	3,9	-
01ILR3525A	IL-R 35x25x1,0-3,0	35x25	1-3	5	11,5	4,75	✓
01ILR4010A	IL-R 40x10x1,5-2,0	40x10	1,5-2	5	10,5	3,75	✓
01ILR4015A	IL-R 40x15x1,0-2,0	40x15	1-2	5	12	3,3	✓
01ILR4020A	IL-R 40x20x1,0-3,0	40x20	1-3	5	12	4,5	✓
01ILR4025A	IL-R 40x25x1,0-3,0	40x25	1-3	5	11,5	4,9	✓
01ILR4030A	IL-R 40x30x1,0-3,0	40x30	1-3	5	12	6,55	✓
01ILR4035A	IL-R 40x35x1,0-3,0	40x35	1-3	5	12	7,35	✓
01ILR4515A	IL-R 45x15x1,5-2,0	45x15	1,5-2	5	11	3,7	✓

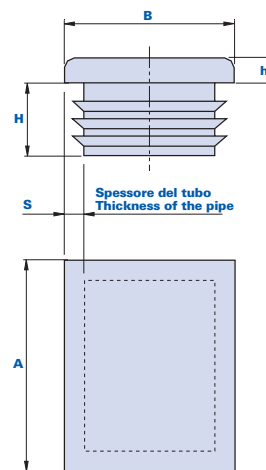
Codice Code	Descrizione Description	Dimensioni Dimensions				Peso kg x1000 pz. Weight kgs x1000 pcs.	Stock
		A	S	h	H		
<b>01ILR4520A</b>	IL-R 45x20x1,0-3,0	45x20	1-3	5	11,5	4,75	✓
<b>01ILR4525A</b>	IL-R 45x25x1,0-3,0	45x25	1-3	5	12	5,3	✓
<b>01ILR4530A</b>	IL-R 45x30x1,0-2,5	45x30	1-2,5	5	12	5,81	✓
<b>01ILR4535A</b>	IL-R 45x35x1,0-3,5	45x35	1-3,5	5	12	5,95	-
<b>01ILR5010A</b>	IL-R 50x10x1,0-2,0	50x10	1-2	3,5	12	6	✓
<b>01ILR5020A</b>	IL-R 50x20x1,0-3,0	50x20	1-3	5	14	6,15	✓
<b>01ILR5025A</b>	IL-R 50x25x1,0-3,0	50x25	1-3	5	14,5	6,35	✓
<b>01ILR5025B</b>	IL-R 50x25x3,0-4,5	50x25	3-4,5	5	14,5	6,4	-
<b>01ILR5030A</b>	IL-R 50x30x1,0-3,0	50x30	1-3	5	13,5	7,6	✓
<b>01ILR5030B</b>	IL-R 50x30x3,0-5,0	50x30	3-5	5	14,5	9,8	-
<b>01ILR5034A</b>	IL-R 50x34x1,0-3,5	50x34	1-3,5	5	14,5	10,2	-
<b>01ILR5035A</b>	IL-R 50x35x1,0-3,5	50x35	1-3,5	5	14,5	10,5	✓
<b>01ILR5040A</b>	IL-R 50x40x1,5-3,0	50x40	1,5-3	5	12,5	12	✓
<b>01ILR5534A</b>	IL-R 55x34x1,5-4,0	55x34	1,5-4	5	14,5	9,7	-
<b>01ILR5540A</b>	IL-R 55x40x1,5-4,0	55x40	1,5-4	5	14,5	10,5	-





↓ **IL-R**

Tappo piano per tubi a sezione rettangolare  
*Flat cap for rectangular-section pipes*



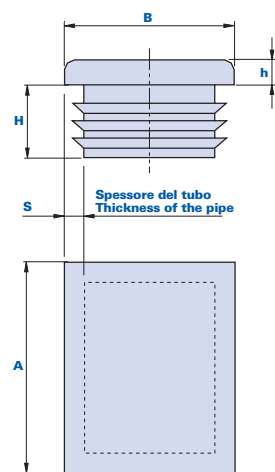
Codice Code	Descrizione Description	Dimensioni Dimensions				Peso kg x1000 pz. Weight kgs x1000 pcs.	Stock
		A	S	h	H		
<b>01ILR6015A</b>	IL-R 60x15x1,0-2,0	60x15	1-2	5	14,5	6	-
<b>01ILR6020A</b>	IL-R 60x20x1,0-3,0	60x20	1-3	5	14,5	6,6	✓
<b>01ILR6025A</b>	IL-R 60x25x1,0-3,0	60x25	1-3	5	14	7,9	✓
<b>01ILR6030A</b>	IL-R 60x30x1,0-3,0	60x30	1-3	5	15	10,55	✓
<b>01ILR6030B</b>	IL-R 60x30x2,5-4,0	60x30	2,5-4	5	14,4	11,23	✓
<b>01ILR6033A</b>	IL-R 60x33x1,5-3,5	60x33	1,5-3,5	5	14,5	11,35	-
<b>01ILR6035A</b>	IL-R 60x35x1,5-3,5	60x35	1,5-3,5	5	15	11,9	✓
<b>01ILR6040A</b>	IL-R 60x40x1,0-3,0	60x40	1-3	5	14	12,1	✓
<b>01ILR6040B</b>	IL-R 60x40x3,0-5,0	60x40	3-5	5	14	11,4	✓

Codice Code	Descrizione Description	Dimensioni Dimensions				Peso kg x1000 pz. Weight kgs x1000 pcs.	Stock
		A	S	h	H		
<b>01ILR6045A</b>	IL-R 60x45x1,5-4,0	60x45	1,5-4	5	15	11,4	-
<b>01ILR6050A</b>	IL-R 60x50x1,5-3,5	60x50	1,5-3,5	5	14,5	13,5	✓
<b>01ILR6535A</b>	IL-R 65x35x1,0-3,0	65x35	1-3	5	15	13,9	-
<b>01ILR7020A</b>	IL-R 70x20x1,0-3,5	70x20	1-3,5	5	19	11,5	✓
<b>01ILR7025A</b>	IL-R 70x25x1,5-2,5	70x25	1,5-2,5	5	18	12,53	✓
<b>01ILR7030A</b>	IL-R 70x30x1,0-3,0	70x30	1-3	5	18	14,1	✓
<b>01ILR7035A</b>	IL-R 70x35x1,5-3,5	70x35	1,5-3,5	5	15	15	-
<b>01ILR7040A</b>	IL-R 70x40x1,5-3,0	70x40	1,5-3	5	18	19,25	✓
<b>01ILR7040B</b>	IL-R 70x40x2,5-4,0	70x40	2,5-4	5	15	19,9	✓
<b>01ILR7050A</b>	IL-R 70x50x2,0-5,0	70x50	2-5	5	15	20	✓
<b>01ILR7525A</b>	IL-R 75x25x1,0-3,0	75x25	1-3	5	15	20,5	-
<b>01ILR7550A</b>	IL-R 75x50x2,0-4,0	75x50	2-4	5	15	21,2	-
<b>01ILR8020A</b>	IL-R 80x20x1,0-3,0	80x20	1-3	5	18	13,8	✓
<b>01ILR8025A</b>	IL-R 80x25x1,0-3,0	80x25	1-3	5	14,5	14,3	-
<b>01ILR8030A</b>	IL-R 80x30x1,0-2,5	80x30	1-2,5	5	14,5	12,35	✓



↓ **IL-R**

Tappo piano per tubi a sezione rettangolare  
*Flat cap for rectangular-section pipes*



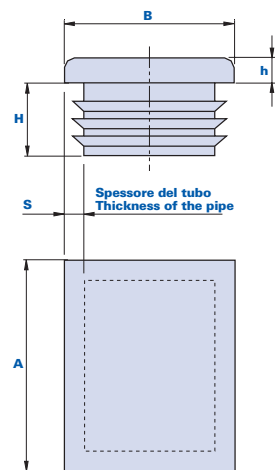
Codice Code	Descrizione Description	Dimensioni Dimensions				Peso kg x1000 pz. Weight kgs x1000 pcs.	Stock
		A	S	h	H		
<b>01ILR8030B</b>	IL-R 80x30x2,5-4,0	80x30	2,5-4	5	14,5	12,3	✓
<b>01ILR8040A</b>	IL-R 80x40x1,0-3,0	80x40	1-3	5	14,5	16,95	✓
<b>01ILR8040B</b>	IL-R 80x40x3,0-5,0	80x40	3-5	5	24,5	16,7	-
<b>01ILR8050A</b>	IL-R 80x50x1,5-4,0	80x50	1,5-4	5	18	29,5	✓
<b>01ILR8060A</b>	IL-R 80x60x1,5-3,5	80x60	1,5-3,5	5	24	29,45	✓
<b>01ILR8060B</b>	IL-R 80x60x3,5-5	80x60	3,5-5	5	18,5	22,6	✓
<b>01ILR9020A</b>	IL-R 90x20x1,0-2,5	90x20	1-2,5	5	14,5	21,3	-
<b>01ILR9040A</b>	IL-R 90x40x2,0-4,0	90x40	2-4	5	15	23,5	✓

Codice <i>Code</i>	Descrizione <i>Description</i>	Dimensioni <i>Dimensions</i>				Peso kg x1000 pz. <i>Weight kgs</i> x1000 pcs.	Stock
		A	S	h	H		
<b>01ILR9045A</b>	IL-R 90x45x2,0-4,0	90x45	2-4	5	15	24	-
<b>01ILR9050A</b>	IL-R 90x50x2,0-4,5	90x50	2-4,5	6	22	22	-
<b>01ILR9070A</b>	IL-R 90x70x3,0-5,5	90x70	3-5,5	6	22	25,5	✓
<b>01ILR10020A</b>	IL-R 100x20x1,5-3,0	100x20	1,5-3	5	15	20	✓
<b>01ILR10025A</b>	IL-R 100x25x1,5-3,0	100x25	1,5-3	5	15	21,5	✓
<b>01ILR10030A</b>	IL-R 100x30x1,5-3,5	100x30	1,5-3,5	5	15	23	✓
<b>01ILR10040A</b>	IL-R 100x40x1,5-4,0	100x40	1,5-4	5	14,5	24,1	✓
<b>01ILR10050A</b>	IL-R 100x50x1,5-4,5	100x50	1,5-4,5	6	24	26,8	✓
<b>01ILR10060A</b>	IL-R 100x60x2,5-4,5	100x60	2,5-4,5	6	24	26,5	✓
<b>01ILR10080A</b>	IL-R 100x80x3,0-5,5	100x80	3-5,5	6,5	19	30	✓
<b>01ILR11030A</b>	IL-R 110x30x2,0-4,0	110x30	2-4	6	24	31,3	-
<b>01ILR11060A</b>	IL-R 110x60x3,5-5,5	110x60	3,5-5,5	6	24	32,5	✓



↓ **IL-R**

Tappo piano per tubi a sezione rettangolare  
*Flat cap for rectangular-section pipes*



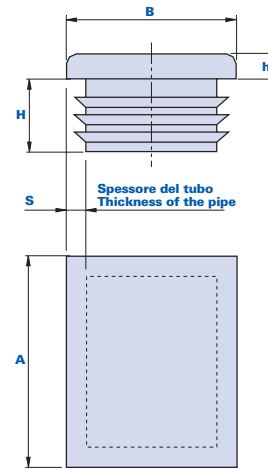
Codice Code	Descrizione Description	Dimensioni Dimensions				Peso kg x1000 pz. Weight kgs x1000 pcs.	Stock
		A	S	h	H		
<b>01ILR11070A</b>	IL-R 110x70x3,0-5,0	110x70	3-5	6	24	34	✓
<b>01ILR12020A</b>	IL-R 120x20x1,0-3,0	120x20	1-3	6	21,5	35,2	✓
<b>01ILR12025A</b>	IL-R 120x25x1,5-3,0	120x25	1,5-3	5	14,5	35,9	✓
<b>01ILR12030A</b>	IL-R 120x30x1,5-2,0	120x30	1,5-2	5	14,5	19,4	✓
<b>01ILR12040A</b>	IL-R 120x40x3,0-5,0	120x40	3-5	6	21,5	24	✓
<b>01ILR12050A</b>	IL-R 120x50x3,0-5,5	120x50	3-5,5	6	21,5	26,2	✓
<b>01ILR12060A</b>	IL-R 120x60x1,5-5,0	120x60	1,5-5	5	24,5	35,4	✓
<b>01ILR12060B</b>	IL-R 120x60x5,0	120x60	5	5	18	38,2	✓

Codice Code	Descrizione Description	Dimensioni Dimensions				Peso kg x1000 pz. Weight kgs x1000 pcs.	Stock
		A	S	h	H		
<b>01ILR12080A</b>	IL-R 120x80x2,0-5,5	120x80	2-5,5	5	24	43,5	✓
<b>01ILR12080B</b>	IL-R 120x80x5,0-8,0	120x80	5-8	5	24	43,5	✓
<b>01ILR120100A</b>	IL-R 120x100x3,5-6,0	120x100	3,5-6	6	24	53,5	✓
<b>01ILR12575A</b>	IL-R 125x75x2,0-5,0	125x75	2-5	6	24,5	55	-
<b>01ILR14040A</b>	IL-R 140x40x2,0-4,5	140x40	2-4,5	6	21,5	56,3	-
<b>01ILR14050A</b>	IL-R 140x50x2,0-5,0	140x50	2-5	6	21,5	57,8	-
<b>01ILR14060A</b>	IL-R 140x60x2,0-4,5	140x60	2-4,5	6	24,5	59,2	-
<b>01ILR14070A</b>	IL-R 140x70x4,0-6,5	140x70	4-6,5	6	24,5	60,1	-



↓ **IL-R**

Tappo piano per tubi a sezione rettangolare  
*Flat cap for rectangular-section pipes*



Codice Code	Descrizione Description	Dimensioni Dimensions				Peso kg x1000 pz. Weight kgs x1000 pcs.	Stock
		A	S	h	H		
<b>01ILR14080A</b>	IL-R 140x80x2,0-4,5	140x80	2-4,5	5	24,5	57	✓
<b>01ILR140100A</b>	IL-R 140x100x2,0-4,5	140x100	2-4,5	6	24,5	65	-
<b>01ILR15030A</b>	IL-R 150x30x1,5-3,0	150x30	1,5-3	6	21,6	70	-
<b>01ILR15040A</b>	IL-R 150x40x2,0-4,5	150x40	2-4,5	6	21,5	80	-
<b>01ILR15050A</b>	IL-R 150x50x2,0-4,0	150x50	2-4	6	28	82	✓
<b>01ILR15050B</b>	IL-R 150x50x4,0-6,0	150x50	4-6	6	28	84	-
<b>01ILR15060A</b>	IL-R 150x60x2,5-5,0	150x60	2,5-5	6	21,5	91	-
<b>01ILR15075A</b>	IL-R 150x75x2,5-5,5	150x75	2,5-5,5	6	21,5	94	-

Codice <i>Code</i>	Descrizione <i>Description</i>	Dimensioni <i>Dimensions</i>				Peso kg x1000 pz. <i>Weight kgs</i> x1000 pcs.	Stock
		<b>A</b>	<b>S</b>	<b>h</b>	<b>H</b>		
<b>01ILR150100A</b>	IL-R 150x100x1,5-5,0	150x100	1,5-5	7	27	103	✓
<b>01ILR16050A</b>	IL-R 160x50x2,5-5,5	160x50	2,5-5,5	6	21,5	125	✓
<b>01ILR16060A</b>	IL-R 160x60x2,5-5,0	160x60	2,5-5	6	21,5	143	-
<b>01ILR16080A</b>	IL-R 160x80x3,0-5,5	160x80	3-5,5	6	24,5	153	✓
<b>01ILR200120A</b>	IL-R 200x120x6,3-9,0	200x120	6,3-9	6	30,5	207	✓



# 3102R

Tappo piano per tubi a sezione rettangolare  
*Flat cap for rectangular-section pipes*

## **Materiale**

Tecnopolimero a base polietilene (PE).  
Resistente a sostanze chimiche organiche  
ed inorganiche quali oli, grassi, carburanti,  
solventi.

## **Colore**

Nero finitura satinata.

## **Confezione**

3102R 10x15 ÷ 30x60: 100 - 200 - 500 pcs.  
3102R 40x60 ÷ 50x100: 50 - 100 - 200 pcs.

## **Material**

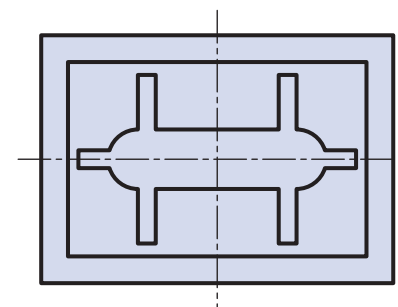
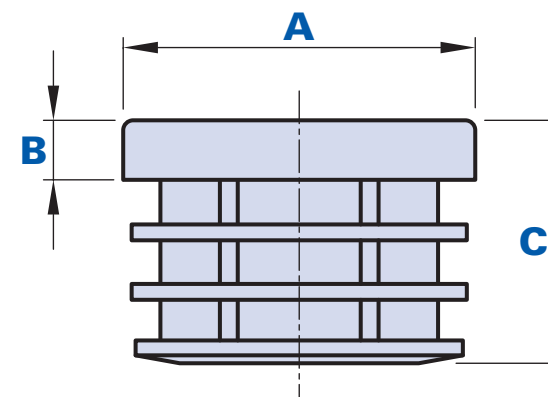
*Polyethylene-based (PE) technopolymer.  
Resistant to organic and inorganic chemical  
substances such as oils, greases, fuels and  
solvents.*

## **Colour**

*Black with satin finish.*

## **Package**

*3102R 10x15 ÷ 30x60: 100 - 200 - 500 pcs.  
3102R 40x60 ÷ 50x100: 50 - 100 - 200 pcs.*





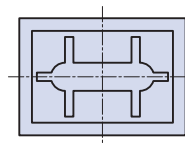
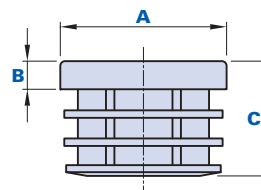
Dimensioni  
*Dimensions*

Codice <i>Code</i>	Descrizione <i>Description</i>	Dimensioni <i>Dimensions</i>			Peso grammi <i>Weight grams</i>	Stock
		<b>A</b>	<b>B</b>	<b>C</b>		
<b>3102R0101500</b>	3102R 10x15	10x15	5	16	1,5	-
<b>3102R0102000</b>	3102R 10x20	10x20	5	20	2,1	-
<b>3102R0102500</b>	3102R 10x25	10x25	5	20	2,7	-
<b>3102R0103000</b>	3102R 10x30	10x30	5	20	3,3	-
<b>3102R0104000</b>	3102R 10x40	10x40	5	20	3,9	-
<b>3102R0152000</b>	3102R 15x20	15x20	5	17	3,1	-
<b>3102R0152500</b>	3102R 15x25	15x25	5	22	3,7	✓
<b>3102R0153000</b>	3102R 15x30	15x30	5	17	3,7	✓
<b>3102R0153500</b>	3102R 15x35	15x35	6	24	5,2	-
<b>3102R0154000</b>	3102R 15x40	15x40	6	24	6,9	✓



↓ **3102R**

Tappo piano per tubi a sezione rettangolare  
*Flat cap for rectangular-section pipes*



Codice Code	Descrizione Description	Dimensioni Dimensions			Peso grammi Weight grams	Stock
		A	B	C		
<b>3102R0155000</b>	3102R 15x50	15x50	5	20	8,4	-
<b>3102R0202500</b>	3102R 20x25	20x25	5	17	5,8	-
<b>3102R0203000</b>	3102R 20x30	20x30	5	22	6,3	✓
<b>3102R0203500</b>	3102R 20x35	20x35	5	22	6,8	✓
<b>3102R0204000</b>	3102R 20x40	20x40	5	22	8,4	✓
<b>3102R0205000</b>	3102R 20x50	20x50	5	22	9,6	✓
<b>3102R0206000</b>	3102R 20x60	20x60	5	22	10,8	-
<b>3102R0253500</b>	3102R 25x35	25x35	6	25	10,3	✓

Codice <i>Code</i>	Descrizione <i>Description</i>	Dimensioni <i>Dimensions</i>			Peso grammi <i>Weight grams</i>	Stock
		<b>A</b>	<b>B</b>	<b>C</b>		
<b>3102R0254000</b>	3102R 25x40	25x40	5	24	12,9	-
<b>3102R0255000</b>	3102R 25x50	25x50	6	27	15,4	-
<b>3102R0304000</b>	3102R 30x40	30x40	6	24	16	✓
<b>3102R0305000</b>	3102R 30x50	30x50	6	24	16,5	✓
<b>3102R0306000</b>	3102R 30x60	30x60	6	27	19,4	✓
<b>3102R0406000</b>	3102R 40x60	40x60	6	23	26	-
<b>3102R0408000</b>	3102R 40x80	40x80	6	29	34,1	✓
<b>3102R0501000</b>	3102R 50x100	50x100	6	29	40	-

# IL-O

## Tappo piano per tubi a sezione ovale *Flat cap for oval-section pipes*

### **Materiale**

Tecnopolimero a base polietilene (PE).  
Resistente a sostanze chimiche organiche ed inorganiche quali oli, grassi, carburanti, solventi.

### **Colore**

Nero finitura satinata. Altri colori per adeguate quantità.

### **Confezione**

IL-O 20x10 ÷ 50x30: 100 - 200 - 500 pcs.  
IL-O 60x20 ÷ 80x25: 50 - 100 - 200 pcs.

### **Material**

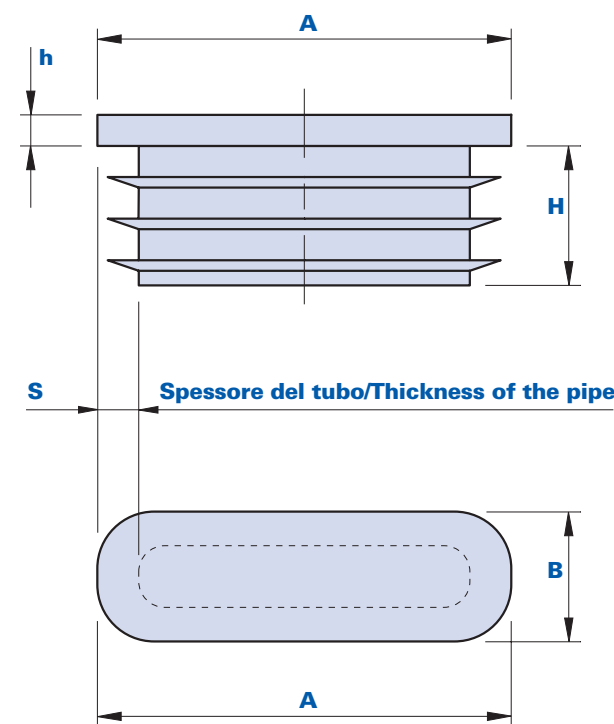
*Polyethylene-based (PE) technopolymer.  
Resistant to organic and inorganic chemical substances such as oils, greases, fuels and solvents.*

### **Colour**

*Black with satin finish. Other colours for suitable quantities.*

### **Package**

*IL-O 20x10 ÷ 50x30: 100 - 200 - 500 pcs.  
IL-O 60x20 ÷ 80x25: 50 - 100 - 200 pcs. pcs.*



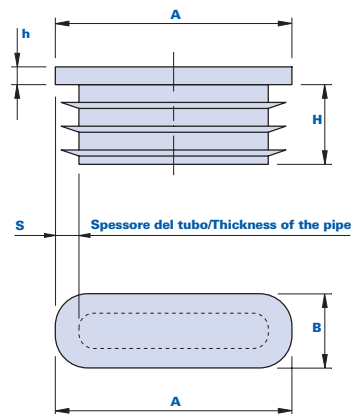


Codice Code	Descrizione Description	Dimensioni Dimensions				Peso kg x1000 pz. Weight kgs x1000 pcs.	Stock
		A	S	h	H		
<b>01ILO2010</b>	IL-O 20x10x2	20x10	2	5	10	1,4	✓
<b>01ILO3015</b>	IL-O 30x15x1-2,5	30x15	1-2,5	5	12	2,5	✓
<b>01ILO3515</b>	IL-O 35x15x1,2-2,5	35x15	1,2-2,5	5	12	3,4	-
<b>01ILO3520</b>	IL-O 35x20x1,5-2	35x20	1,5-2	5	12	3,8	✓
<b>01ILO3820</b>	IL-O 38x20x1-3	38x20	1-3	5	12	3,5	-
<b>01ILO4020</b>	IL-O 40x20x1-3	40x20	1-3	5	12	3,5	✓
<b>01ILO4025</b>	IL-O 40x25x1-3	40x25	1-3	5	11,5	3,5	-
<b>01ILO4518</b>	IL-O 45x18x1,5-3	45x18	1,5-3	5	11,5	3,7	-



↓ **IL-O**

Tappo piano per tubi a sezione ovale  
*Flat cap for oval-section pipes*



Codice Code	Descrizione Description	Dimensioni Dimensions				Peso kg x1000 pz. Weight kgs x1000 pcs.	Stock
		A	S	h	H		
01ILO4520	IL-O 45x20x1-3	45x20	1-3	5	12	4,2	-
01ILO4820	IL-O 48x20x1,5-2	48x20	1,5-2	5	12	4,7	-
01ILO5015	IL-O 50x15x1-3	50x15	1-3	5	12	5,1	-
01ILO5020	IL-O 50x20x1-3	50x20	1-3	5	12	4,8	-
01ILO5025	IL-O 50x25x1-3	50x25	1-3	5	12	10,2	✓

Codice <i>Code</i>	Descrizione <i>Description</i>	Dimensioni <i>Dimensions</i>				Peso kg x1000 pz. <i>Weight kgs</i> x1000 pcs.	Stock
		<b>A</b>	<b>S</b>	<b>h</b>	<b>H</b>		
<b>01ILO5030</b>	IL-O 50x30x1-2,5	50x30	1-2,5	5	12	12	✓
<b>01ILO6020</b>	IL-O 60x20x1-2	60x20	1-2	5	13	7	-
<b>01ILO6025</b>	IL-O 60x25x1-2	60x25	1-2	5	13	7,9	-
<b>01ILO6030</b>	IL-O 60x30x2	60x30	2	5	13	8,3	✓
<b>01ILO8025</b>	IL-O 80x25x2	80x25	2	5	13	13	-



# 4000

## Tappo antivibrante *Anti-vibration cap*

### **Materiale**

Tecnopolimero a base polivinilcloruro (PVC). Resistente a sostanze chimiche organiche ed inorganiche quali oli, grassi, carburanti, solventi.

### **Colore**

Nero. Altri colori per adeguate quantità.

### **Confezione**

100 - 200 - 500 pcs.

### **Material**

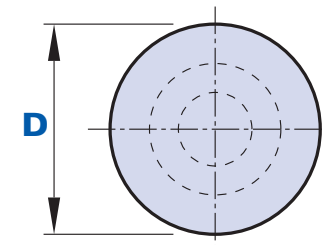
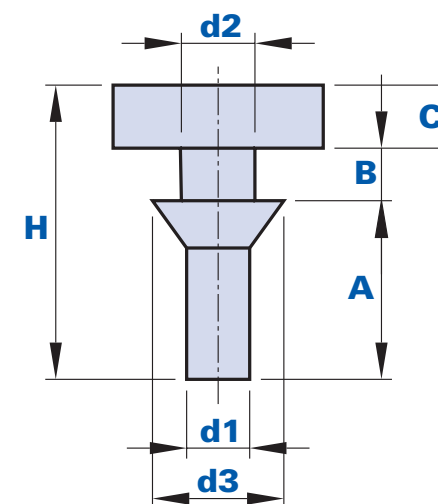
*Polyvinylchloride-based (PVC) technopolymer. Resistant to organic and inorganic chemical substances such as oils, greases, fuels and solvents.*

### **Colour**

*Black. Other colours for suitable quantities.*

### **Package**

*100 - 200 - 500 pcs.*





Codice <i>Code</i>	Descrizione <i>Description</i>	Dimensioni <i>Dimensions</i>									Peso grammi <i>Weight grams</i>	Stock
		A	B	C	D	H	d1	d2	d3			
<b>400000002000</b>	4000 D.20	17	5	6	20	28	6	7	12,5	5	✓	

# 4001

## Tappo antivibrante *Anti-vibration cap*

### **Materiale**

Tecnopolimero a base polivinilcloruro (PVC). Resistente a sostanze chimiche organiche ed inorganiche quali oli, grassi, carburanti e solventi.

### **Colore**

Nero. Altri colori per adeguate quantità.

### **Confezione**

100 - 200 - 500 pcs.

### **Material**

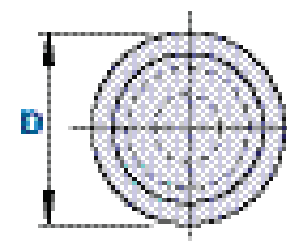
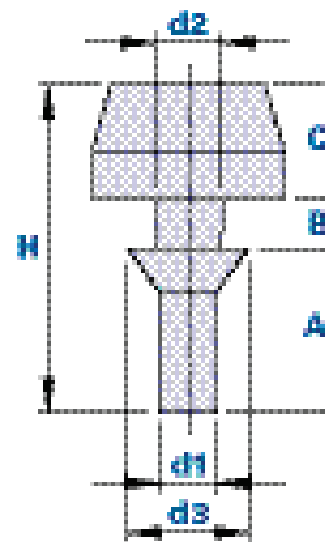
*Polyvinylchloride-based (PVC) technopolymer. Resistant to organic and inorganic chemical substances such as oils, greases, fuels and solvents.*

### **Colour**

*Black. Other colours for suitable quantities.*

### **Package**

*100 - 200 - 500 pcs.*





Codice <i>Code</i>	Descrizione <i>Description</i>	Dimensioni <i>Dimensions</i>									Peso grammi <i>Weight grams</i>	Stock
		A	B	C	D	E	d1	d2	d3			
<b>400100002000</b>	4001 D.20	17	5	12	20	34	6	7	12,5	8	✓	

# 4010

## Tappo antivibrante *Anti-vibration cap*

### **Materiale**

Gomma a base di etilene-propilene (EPDM) resistente agli agenti atmosferici, alle radiazioni ultraviolette e all'ozono, anche a temperature elevate. Resiste ad acqua e vapore, soluzioni alcaline saline, basi minerali forti, glicoli, liquidi per freni, chetoni, solventi ossigenati. Non resiste a oli e grassi minerali, idrocarburi alifatici, aromatici e clorurati, fluidi idraulici a base di esteri silicici.

### **Colore**

Nero.

### **Confezione**

100 - 200 - 500 pcs.

### **Material**

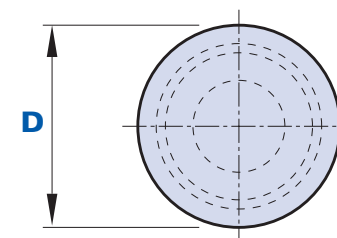
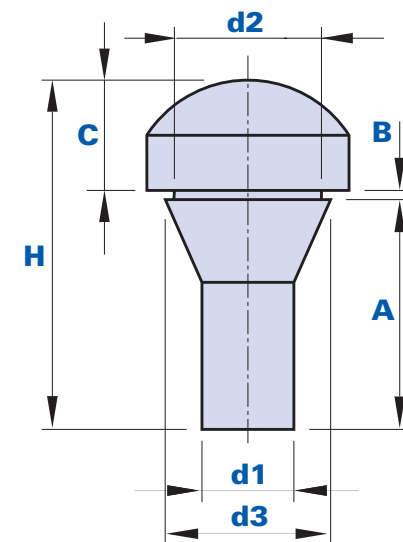
*Ethylene-propylene-based rubber (EPDM) resistant to atmospheric agents, ultraviolet radiation and ozone, even at high temperatures. Resistant to water and steam, alkaline salt solutions, heavy mineral bases, glycols, brake fluids, ketones and oxygenates solvents. Not resistant to oils and greases, aliphatic, aromatic and chlorinated hydrocarbons, silicic ester-based hydraulic fluids.*

### **Colour**

Black.

### **Package**

100 - 200 - 500 pcs.





Codice <i>Code</i>	Descrizione <i>Description</i>	Dimensioni <i>Dimensions</i>									Peso grammi <i>Weight grams</i>	Stock
		A	B	C	D	H	d1	d2	d3			
<b>401000001100</b>	4010 D.11	2,5	0,5	6	11	19	8	8	9	0,092	✓	

# 4050

## Tappo antivibrante *Anti-vibration cap*

### **Materiale**

Gomma a base di etilene-propilene (EPDM) resistente agli agenti atmosferici, alle radiazioni ultraviolette e all'ozono, anche a temperature elevate. Resiste ad acqua e vapore, soluzioni alcaline saline, basi minerali forti, glicoli, liquidi per freni, chetoni, solventi ossigenati. Non resiste a oli e grassi minerali, idrocarburi alifatici, aromatici e clorurati, fluidi idraulici a base di esteri silicici.

### **Colore**

Nero.

### **Confezione**

100 - 200 - 500 pcs.

### **Material**

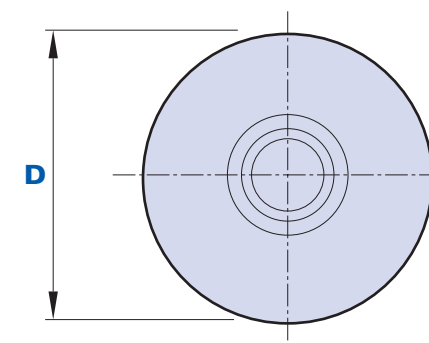
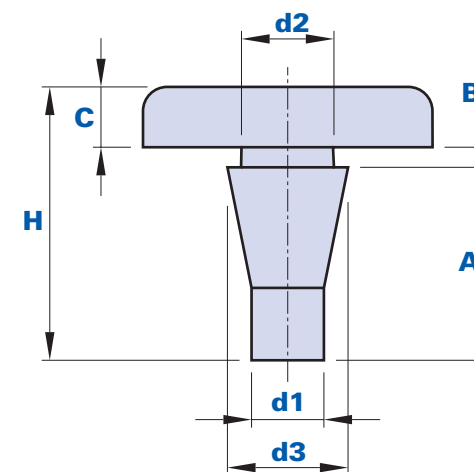
*Ethylene-propylene-based rubber (EPDM) resistant to atmospheric agents, ultraviolet radiation and ozone, even at high temperatures. Resistant to water and steam, alkaline salt solutions, heavy mineral bases, glycols, brake fluids, ketones and oxygenates solvents. Not resistant to oils and greases, aliphatic, aromatic and chlorinated hydrocarbons, silicic ester-based hydraulic fluids.*

### **Colour**

Black.

### **Package**

100 - 200 - 500 pcs.





Codice <i>Code</i>	Descrizione <i>Description</i>	Dimensioni <i>Dimensions</i>									Peso grammi <i>Weight grams</i>	Stock
		A	B	C	D	H	d1	d2	d3			
<b>405000003500</b>	4050 D.35	24	2,5	7,5	36	34	9	11,5	15	12,5	✓	



# 4500

## Tappo antivibrante *Anti-vibration cap*

**PUZZLE  
ADVANCE**  
COMÉRCIO DE ACESSÓRIOS INDUSTRIAIS

**CLAUSUM**<sup>®</sup>



### **Materiale**

Gomma a base di etilene-propilene (EPDM) resistente agli agenti atmosferici, alle radiazioni ultraviolette e all' ozono, anche a temperatura elevate. Resistente ad acqua e vapore, soluzioni alcaline saline, basi minerali forti, glicoli, liquidi per freni, chetoni, solventi ossigenati. Non resiste a oli e grassi minerali, idrocarburi alifatici, aromatici e clorurati, fluidi idraulici a base di esteri silicici.

### **Colore**

Nero.

### **Confezione**

100 - 200 - 500 pcs.

### **Material**

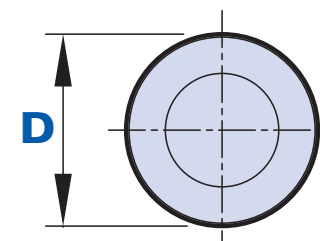
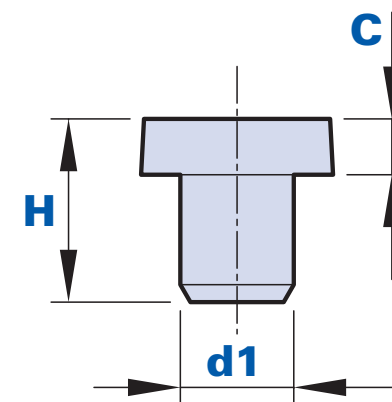
*Ethylene-propylene-based rubber (EPDM) resistant to atmospheric agents, ultraviolet radiation and ozone, even at high temperatures. Resistant to water and steam, alkaline salt solutions, heavy mineral bases, glycols, brake fluids, ketones and oxygenates solvents. Not resistant to oils and greases, aliphatic, aromatic and chlorinated hydrocarbons, silicic ester-based hydraulic fluids.*

### **Colour**

Black.

### **Package**

100 - 200 - 500 pcs.





Codice <i>Code</i>	Descrizione <i>Description</i>	Dimensioni <i>Dimensions</i>				Peso grammi <i>Weight grams</i>	Stock
		<b>D</b>	<b>H</b>	<b>C</b>	<b>d1</b>		
<b>450000001100</b>	4500 D.11	11	10,5	3,2	6,5	0,7	✓

# 3103

## Ferma battute *Stopper*

### **Materiale**

Tecnopolimero a base polivinilcloruro (PVC). Resistente a sostanze chimiche organiche ed inorganiche quali oli, grassi, carburanti, solventi.

### **Colore**

Nero.

### **Confezione**

100 - 200 - 500 pcs.

### **Material**

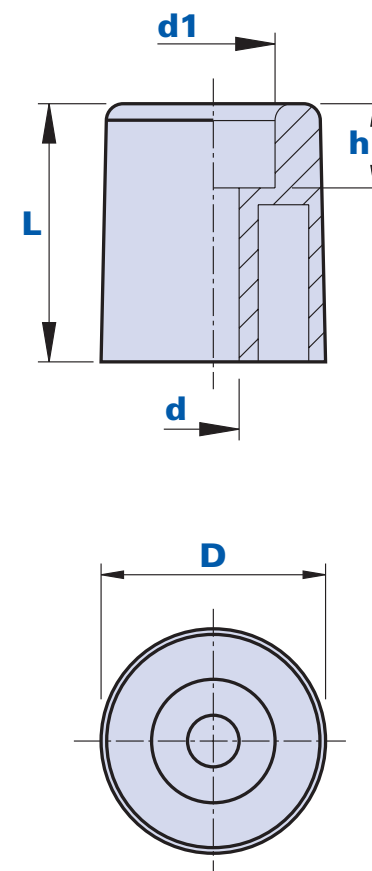
*Polyvinylchloride-based (PVC) technopolymer. Resistant to organic and inorganic chemical substances such as oils, greases, fuels and solvents.*

### **Colour**

*Black.*

### **Package**

*100 - 200 - 500 pcs.*





Codice <i>Code</i>	Descrizione <i>Description</i>	Dimensioni <i>Dimensions</i>					Peso grammi <i>Weight grams</i>	Stock
		<b>L</b>	<b>D</b>	<b>d</b>	<b>d1</b>	<b>h</b>		
<b>310300002000</b>	3103 D.20	23	20	4	9	7,5	6,8	✓
<b>310300002500</b>	3103 D.25	24	25	5	11	7,5	11,4	✓
<b>310300003000</b>	3103 D.30	25	30	6	13	7,5	17,3	✓

# 3104

## Puntale *End cap*

### **Materiale**

Tecnopolimero a base polivinilcloruro (PVC). Resistente a sostanze chimiche organiche ed inorganiche quali oli, grassi, carburanti, solventi.

### **Colore**

Nero.

### **Montaggio**

A pressione.

### **Confezione**

100 - 200 - 500 pcs.

### **Material**

*Polyvinylchloride-based (PVC) technopolymer. Resistant to organic and inorganic chemical substances such as oils, greases, fuels and solvents.*

### **Colour**

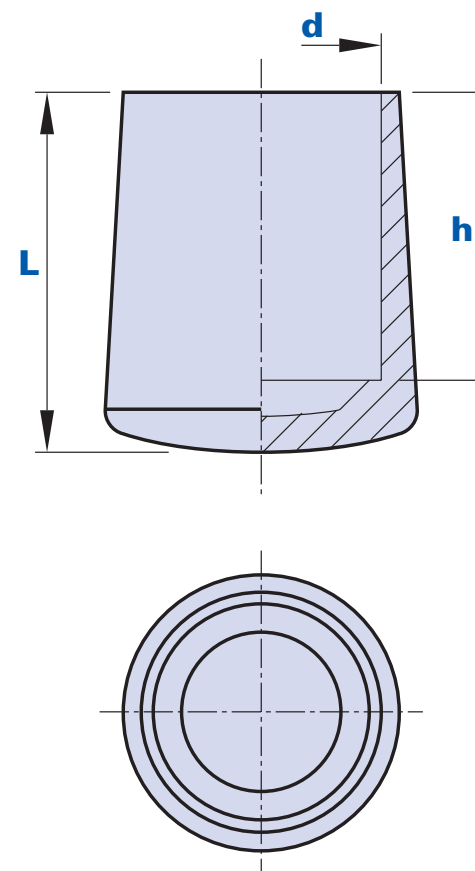
*Black.*

### **Assembly**

*Press-fit.*

### **Package**

*100 - 200 - 500 pcs.*





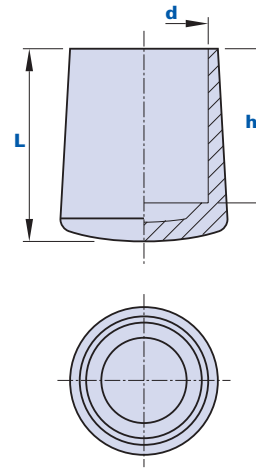
Dimensioni  
Dimensions

Codice Code	Descrizione Description	Dimensioni Dimensions			Peso grammi Weight grams	Stock
		L	d	h		
<b>310400000200</b>	3104 D.2	7,5	2	6	0,9	✓
<b>310400000300</b>	3104 D.3	9,5	3	8	1	-
<b>310400000400</b>	3104 D.4	11	4	9	1,1	✓
<b>310400000500</b>	3104 D.5	13	5	10	1,2	-
<b>310400000600</b>	3104 D.6	14	6	11	1,3	-
<b>310400000700</b>	3104 D.7	14	7	11	1,5	-
<b>310400000800</b>	3104 D.8	16	8	13	1,7	✓
<b>310400001000</b>	3104 D.10	18	10	14	2,1	✓
<b>310400001200</b>	3104 D.12	21	12	17	2,9	✓



↓ **3104**

Puntale  
End cap



Codice Code	Descrizione Description	Dimensioni Dimensions			Peso grammi Weight grams	Stock
		L	d	h		
<b>310400001300</b>	3104 D.13	21	13	17	3,7	-
<b>310400001400</b>	3104 D.14	23	14	18	4,6	✓
<b>310400001600</b>	3104 D.16	25	16	20	5,3	✓
<b>310400001800</b>	3104 D.18	27	18	22	7,4	-
<b>310400002000</b>	3104 D.20	30	20	24	8,8	✓
<b>310400002200</b>	3104 D.22	32	22	26	11,6	✓
<b>310400002400</b>	3104 D.24-25	32	24-25	29	14,5	✓

Codice <i>Code</i>	Descrizione <i>Description</i>	Dimensioni <i>Dimensions</i>			Peso grammi <i>Weight grams</i>	Stock
		L	d	h		
<b>310400002600</b>	3104 D.26	37	26	31	16,2	✓
<b>310400002800</b>	3104 D.28	38	28	32	21,6	✓
<b>310400003000</b>	3104 D.30	41	30	34	25,8	✓
<b>310400003200</b>	3104 D.32	43	32	39	28,2	✓
<b>310400003500</b>	3104 D.35	47	35	40	32,6	✓



# 3105

## Puntale *End cap*

### **Materiale**

Tecnopolimero a base polivinilcloruro (PVC). Resistente a sostanze chimiche organiche ed inorganiche, quali oli, grassi, carburanti e solventi.

### **Colore**

Nero. Altri colori per adeguate quantità.

### **Montaggio**

A pressione.

### **Confezione**

3105 D.6 ÷ D.38: 100 - 200 - 500 pcs.

3105 D.40 ÷ D.69: 50 - 100 - 200 pcs.

3105 D.75 ÷ D.90: 10 - 50 - 100 pcs.

### **Material**

*Polyvinylchloride-based (PVC) technopolymer. Resistant to organic and inorganic chemical substances such as oils, greases, fuels and solvents.*

### **Colour**

*Black. Other colours for suitable quantities.*

### **Assembly**

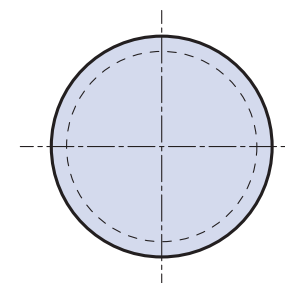
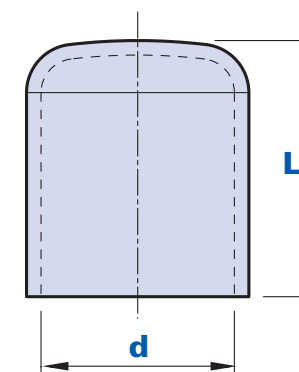
*Press-fit.*

### **Package**

*3105 D.6 ÷ D.38: 100 - 200 - 500 pcs.*

*3105 D.40 ÷ D.69: 50 - 100 - 200 pcs.*

*3105 D.75 ÷ D.90: 10 - 50 - 100 pcs.*



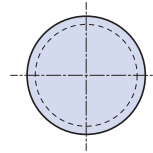
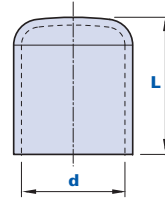


Codice Code	Descrizione Description	Dimensioni Dimensions		Peso gr. Weight grams	Stock
		L	d		
<b>310500000600</b>	3105 D.6	13	6	0,5	-
<b>310500000800</b>	3105 D.8	15,5	8	0,91	-
<b>310500001000</b>	3105 D.10/11	16,5	10	1,07	-
<b>310500001200</b>	3105 D.12	19	12	1,66	-
<b>310500001600</b>	3105 D.16/17	26	16	3,14	-
<b>310500001800</b>	3105 D.18	26	18	4,05	-
<b>310500001900</b>	3105 D.19	26	19	4,45	-
<b>310500002000</b>	3105 D.20	26,5	20	4,25	✓
<b>310500002100</b>	3105 D.21	27,5	21	4,5	-
<b>310500002200</b>	3105 D.22/23	29	22	5,02	-



↓ **3105**

Puntale  
End cap



Codice Code	Descrizione Description	Dimensioni Dimensions		Peso gr. Weight grams	Stock
		L	d		
<b>310500002400</b>	3105 D.24	31	24	6,3	-
<b>310500002500</b>	3105 D.25/26	31	25	6,66	-
<b>310500002700</b>	3105 D.27	31	27	8,15	-
<b>310500002800</b>	3105 D.28/29	32	28	7,29	-
<b>310500003000</b>	3105 D.30/31	32	30	8,64	-
<b>310500003200</b>	3105 D.32/33	32	32	8,5	-
<b>310500003400</b>	3105 D.34 (1")	33	34	10,6	-
<b>310500003500</b>	3105 D.35/36	32,5	35	10,9	-

Codice <i>Code</i>	Descrizione <i>Description</i>	Dimensioni <i>Dimensions</i>		Peso gr. <i>Weight grams</i>	Stock
		<b>L</b>	<b>d</b>		
<b>310500003800</b>	3105 D.38/39	32	38	11,64	✓
<b>310500004000</b>	3105 D.40/41	34	40	14	✓
<b>310500004200</b>	3105 D.42 (1,1/4")	32	42	13,85	-
<b>310500004300</b>	3105 D.43/44	32	43	13,36	-
<b>310500004500</b>	3105 D.45/46	36	45	14,3	-
<b>310500004800</b>	3105 D.48 (1,1/2")	36	48	18,46	-
<b>310500004900</b>	3105 D.49/51	36	49	17,2	-
<b>310500005400</b>	3105 D.54/55	39	54	17,8	-
<b>310500005900</b>	3105 D.59/60 (2")	36	59	20,56	-
<b>310500006300</b>	3105 D.63/64	37	63	27	-
<b>310500006900</b>	3105 D.69/70	37	69	33,03	-
<b>310500007500</b>	3105 D.75/76	39	75	42,38	-
<b>310500009000</b>	3105 D.90/91	39	90	54	-

# T-RG



## Tappo filettato senza inserto per tubi a sezione rotonda *Threaded cap without insert for round-section pipes*

### **Materiale**

Tecnopolimero a base poliammidica (PA).  
Resistente a sostanze chimiche organiche ed inorganiche quali oli, grassi, carburanti, solventi.

### **Filettatura**

Ricavata direttamente nel materiale plastico.

### **Colore**

Nero finitura satinata.

### **Confezione**

200 - 500 - 1000 pcs.

### **Material**

*Polyamide-based (PA) technopolymer.  
Resistant to organic and inorganic chemical substances such as oils, greases, fuels and solvents.*

### **Threading**

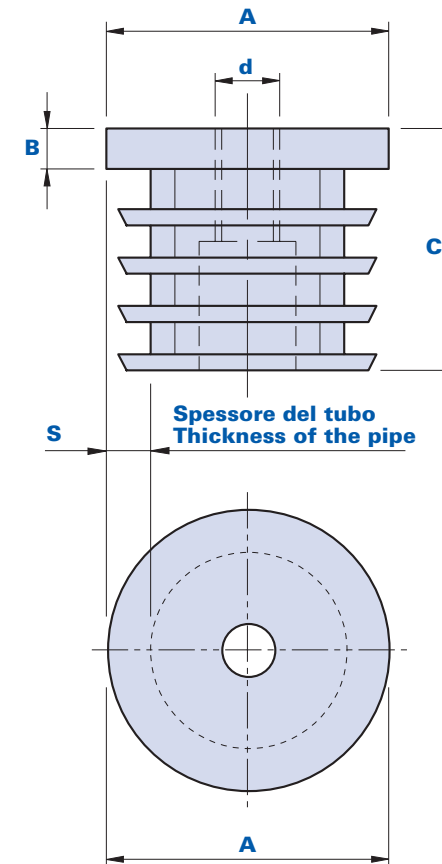
*Directly obtained from the plastic material.*

### **Colour**

*Black with satin finish.*

### **Package**

*200 - 500 - 1000 pcs.*



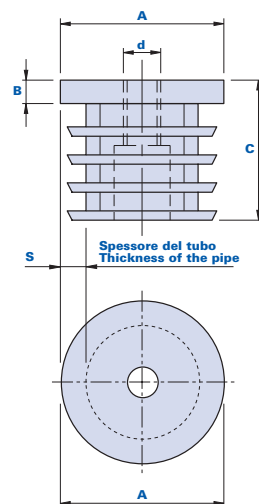


Codice Code	Descrizione Description	Dimensioni Dimensions					Peso grammi x1000 pz. Weight grams x1000 pcs.	Stock
		A	S	B	C	d		
<b>01RG22D</b>	T-RG 22 M8	22	1,5-2	5	21.5	M8	4	✓
<b>01RG22E</b>	T-RG 22 M10	22	1,5-2	5	21.5	M10	4	-
<b>01RG25D</b>	T-RG 25 M8	25	1,5-2	5	21.5	M8	4	✓
<b>01RG25E</b>	T-RG 25 M10	25	1,5-2	5	21.5	M10	4	-
<b>01RG25F</b>	T-RG 25 M12	25	1,5-2	5	21.5	M12	4	-
<b>01RG28D</b>	T-RG 28 M8	28	1,5-2	5	21.5	M8	6	✓
<b>01RG28E</b>	T-RG 28 M10	28	1,5-2	5	21.5	M10	6	-
<b>01RG28F</b>	T-RG 28 M12	28	1,5-2	5	21.5	M12	6	-
<b>01RG30D</b>	T-RG 30 M8	30	1,5-2	5	21.5	M8	8	✓
<b>01RG30E</b>	T-RG 30 M10	30	1,5-2	5	21.5	M10	8	✓



## ↓ T-RG

Tappo filettato senza inserto per tubi a sezione rotonda  
*Threaded cap without insert for round-section pipes*



Codice Code	Descrizione Description	Dimensioni Dimensions					Peso grammi x1000 pz. Weight grams x1000 pcs.	Stock
		A	S	B	C	d		
01RG30F	T-RG 30 M12	30	1,5-2	5	21.5	M12	8	✓
01RG32D	T-RG 32 M8	32	1,5-2	5	29	M8	10	-
01RG32E	T-RG 32 M10	32	1,5-2	5	29	M10	10	-
01RG32F	T-RG 32 M12	32	1,5-2	5	29	M12	10	-
01RG35D	T-RG 35 M8	35	1,5-2	5	29	M8	14	✓
01RG35E	T-RG 35 M10	35	1,5-2	5	29	M10	14	-
01RG35F	T-RG 35 M12	35	1,5-2	5	29	M12	14	-

Codice <i>Code</i>	Descrizione <i>Description</i>	Dimensioni <i>Dimensions</i>					Peso grammi x1000 pz. <i>Weight grams x1000 pcs.</i>	Stock
		<b>A</b>	<b>S</b>	<b>B</b>	<b>C</b>	<b>d</b>		
<b>01RG38D</b>	T-RG 38 M8	38	1,5-2	5	29	M8	16	-
<b>01RG38E</b>	T-RG 38 M10	38	1,5-2	5	29	M10	16	-
<b>01RG38F</b>	T-RG 38 M12	38	1,5-2	5	29	M12	16	-
<b>01RG40D</b>	T-RG 40 M8	40	1,5-2	5	29	M8	17	-
<b>01RG40E</b>	T-RG 40 M10	40	1,5-2	5	29	M10	17	-
<b>01RG42E</b>	T-RG 42 M10	42	1,5-2	5	29	M10	18	-
<b>01RG60E</b>	T-RG 60 M10	60	0,8-1,2	5	37	M10	34	-



# T-40R

Tappo filettato con inserto per tubi a sezione rotonda  
*Threaded cap with insert for round-section pipes*

## **Materiale**

Tecnopolimero a base poliammidica (PA).  
Resistente a sostanze chimiche organiche  
ed inorganiche quali oli, grassi, carburanti  
e solventi.

## **Colore**

Nero finitura satinata.

## **Inserto**

Acciaio zincato

## **Confezione**

200 - 500 - 1000 pcs.

## **Material**

*Polyamide-based (PA) technopolymer.  
Resistant to organic and inorganic chemical  
substances such as oils, greases, fuels and  
solvents.*

## **Colour**

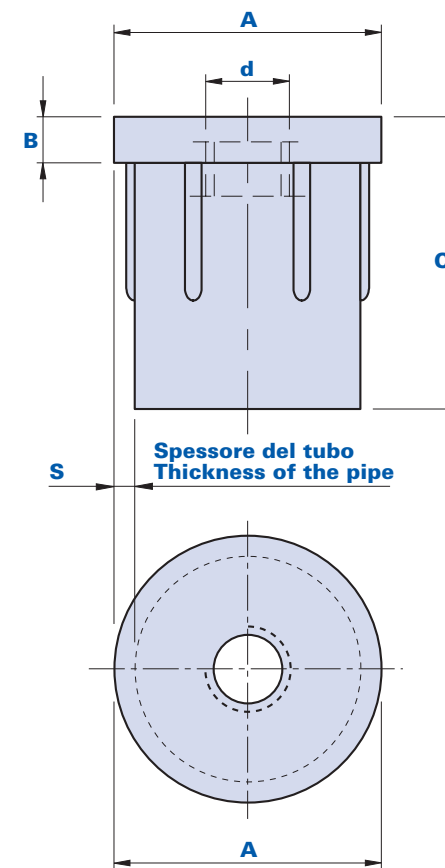
*Black with satin finish.*

## **Insert**

*Galvanized steel.*

## **Package**

*200 - 500 - 1000 pcs.*



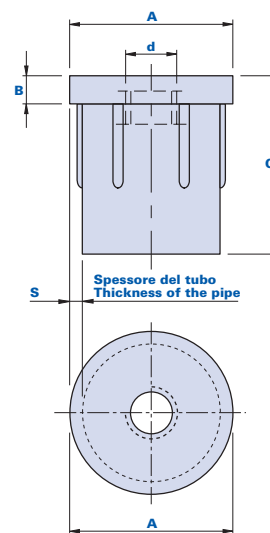


Codice <i>Code</i>	Descrizione <i>Description</i>	Dimensioni <i>Dimensions</i>					Peso grammi x1000 pz. <i>Weight grams x1000 pcs.</i>	Stock
		A	S	B	C	d		
<b>0140-0020D</b>	T-40R 20 M8	20	1,5	5	25	M8	10	-
<b>0140-0025D</b>	T-40R 25 M8	25	0,8	5	30	M8	17	-
<b>0140-0025E1</b>	T-40R 25 M10	25	1,5	5	30	M10	16	-
<b>0140-0032D</b>	T-40R 32 M8	32	1,5	5	31	M8	15	-
<b>0140-0032E1</b>	T-40R 32 M10	32	2	5	31	M10	15	-



## ↓ T-40R

Tappo filettato con inserto per tubi a sezione rotonda  
*Threaded cap with insert for round-section pipes*



Codice Code	Descrizione Description	Dimensioni Dimensions					Peso grammi x1000 pz. Weight grams x1000 pcs.	Stock
		A	S	B	C	d		
0140-0038E	T-40R 38 M10	38	1,5	5	31	M10	27	-
0140-0038E1	T-40R 38 M10	38	2	5	30	M10	27	-

Codice <i>Code</i>	Descrizione <i>Description</i>	Dimensioni <i>Dimensions</i>					Peso grammi x1000 pz. <i>Weight grams x1000 pcs.</i>	<b>Stock</b>
		<b>A</b>	<b>S</b>	<b>B</b>	<b>C</b>	<b>d</b>		
<b>0140-0040E</b>	T-40R 40 M10	40	2	5	33	M10	29	-
<b>0140-0044E</b>	T-40R 44 M10	44	2	5	39	M10	39	-

# T-VG

## Tappo filettato senza inserto per tubi a sezione quadrata *Threaded cap without insert for square-section pipes*

### **Materiale**

Tecnopolimero a base poliammidica (PA).  
Resistente a sostanze chimiche organiche  
ed inorganiche quali oli, grassi, carburanti  
e solventi.

### **Filettatura**

Ricavata direttamente nel materiale  
plastico.

### **Colore**

Nero finitura satinata.

### **Confezione**

200 - 500 - 1000 pcs.

### **Material**

*Polyamide-based (PA) technopolymer.  
Resistant to organic and inorganic chemical  
substances such as oils, greases, fuels and  
solvents.*

### **Threading**

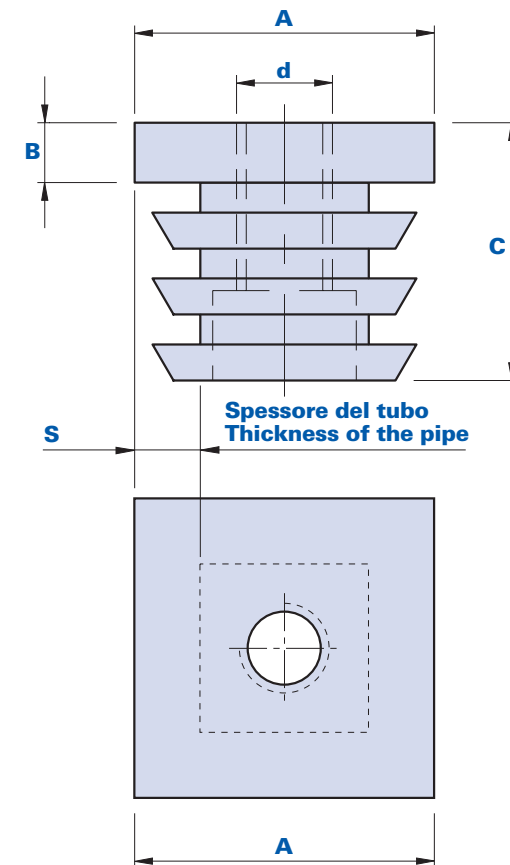
*Directly obtained from the plastic material.*

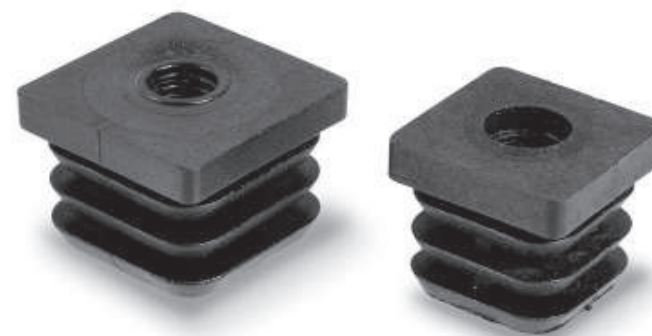
### **Colour**

*Black with satin finish.*

### **Package**

*200 - 500 - 1000 pcs.*





Codice Code	Descrizione Description	Dimensioni Dimensions					Peso grammi x1000 pz. Weight grams x1000 pcs.	Stock
		A	S	B	C	d		
<b>01VG2020D</b>	T-VG 20-20 M8	20x20	1.5-2	5	21.5	M8	4.55	-
<b>01VG2020E</b>	T-VG 20-20 M10	20x20	1,5-2	5	21,5	M10	4	-
<b>01VG2222D</b>	T-VG 22-22 M8	22x22	1.5-2	5	21.5	M8	5.6	-
<b>01VG2222E</b>	T-VG 22-22 M10	22x22	1,5-3	5	21,5	M10	6	-
<b>01VG2525D</b>	T-VG 25-25 M8	25x25	1.5-2	5	21.5	M8	7.56	-
<b>01VG2525E</b>	T-VG 25-25 M10	25x25	1,5-5	5	21,5	M10	8	-
<b>01VG3030D</b>	T-VG 30-30 M8	30x30	1.5-2	5	21.5	M8	11.6	-
<b>01VG3030E</b>	T-VG 30-30 M10	30x30	1,5-8	5	21,5	M10	11	-
<b>01VG3535D</b>	T-VG 35-35 M8	35x35	1.5-2	5	21.5	M8	16	-
<b>01VG3535E</b>	T-VG 35-35 M10	35x35	1.5-2	5	21.5	M10	15.3	-
<b>01VG3535F</b>	T-VG 35-35 M12	35x35	1.5-2	5	21.5	M12	14.09	-

# T-40Q

Tappo filettato con inserto per tubi a sezione quadrata  
*Threaded cap with insert for square-section pipes*

## **Materiale**

Tecnopolimero a base poliammidica (PA).  
Resistente a sostanze chimiche organiche  
ed inorganiche quali oli, grassi, carburanti  
e solventi.

## **Colore**

Nero finitura satinata.

## **Inserto**

Acciaio zincato.

## **Confezione**

200 - 500 - 1000 pcs.

## **Material**

*Polyamide-based (PA) technopolymer.  
Resistant to organic and inorganic chemical  
substances such as oils, greases, fuels and  
solvents.*

## **Colour**

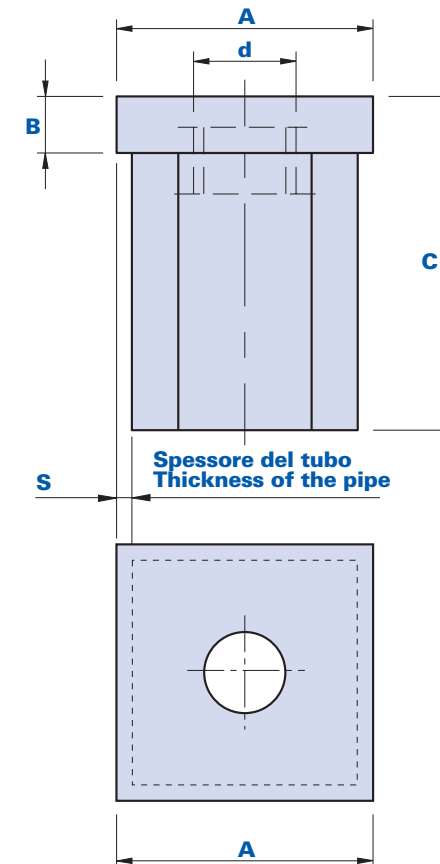
*Black with satin finish.*

## **Insert**

*Galvanized steel.*

## **Package**

*200 - 500 - 1000 pcs.*





Codice Code	Descrizione Description	Dimensioni Dimensions					Peso grammi x1000 pz. Weight grams x1000 pcs.	Stock
		A	S	B	C	d		
<b>01402525A</b>	T-40Q 25-25 M10	25x25	1.5	6	19	M10	16.8	✓
<b>01402525B</b>	T-40Q 25-25 M10	25x25	1.5	6	36	M10	22.6	✓
<b>01402525C</b>	T-40Q 25-25 M10	25x25	2	6	19	M10	16.15	✓
<b>01402525D</b>	T-40Q 25-25 M10	25x25	2	6	34	M10	19.65	-
<b>01403030A</b>	T-40Q 30-30 M10	30x30	1.5	7	19	M10	21.2	-
<b>01403030B</b>	T-40Q 30-30 M10	30x30	1.5	7	37	M10	30.85	-
<b>01403030C</b>	T-40Q 30-30 M10	30x30	2	7	19	M10	21.2	-
<b>01403030D</b>	T-40Q 30-30 M10	30x30	2	7	37	M10	28.45	-



# T-JQ

## Tappo filettato con inserto per tubi a sezione quadrata *Threaded cap with insert for square-section pipes*

### **Materiale**

Tecnopolimero a base polietilene (PE).  
Resistente a sostanze chimiche organiche ed inorganiche quali oli, grassi, carburanti e solventi.

### **Colore**

Nero finitura satinata.

### **Inserto**

Acciaio zincato.

### **Confezione**

200 - 500 - 1000 pcs.

### **Material**

*Polyethylene-based (PE) technopolymer.  
Resistant to organic and inorganic chemical substances such as oils, greases, fuels and solvents.*

### **Colour**

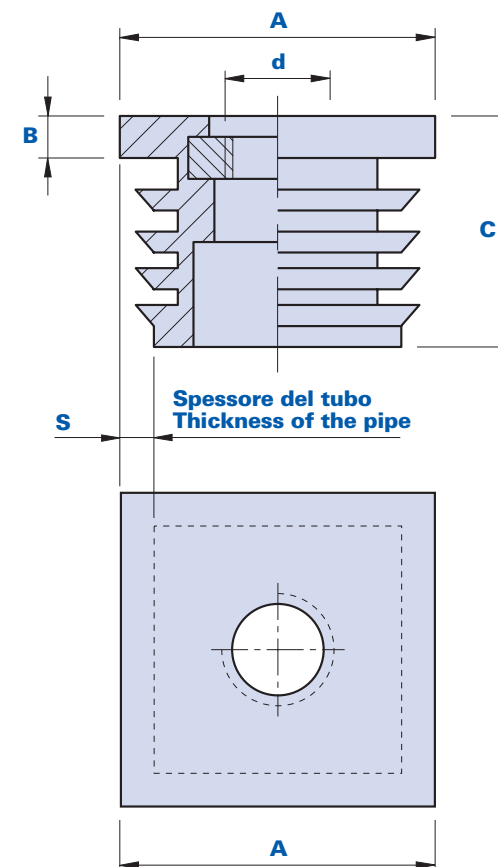
*Black with satin finish.*

### **Insert**

*Galvanized steel.*

### **Package**

*200 - 500 - 1000 pcs.*





Codice Code	Descrizione Description	Dimensioni Dimensions					Peso grammi x1000 pz. Weight grams x1000 pcs.	Stock
		A	S	B	C	d		
<b>01J1616C</b>	T-JQ 16-16 M6	16x16	1.5	6	18	M6	3.8	-
<b>01J2020D</b>	T-JQ 20-20 M8	20x20	1.5	6	20	M8	7.2	-
<b>01J2525D</b>	T-JQ 25-25 M8	25x25	1.5	7	20	M8	10.4	✓
<b>01J2525E</b>	T-JQ 25-25 M10	25x25	1.5	7	20	M10	14	-
<b>01J3030E</b>	T-JQ 30-30 M10	30x30	1.5	8	22	M10	17.2	✓
<b>01J3030E1</b>	T-JQ 30-30 M10	30x30	2.5	8	22	M10	16.5	-
<b>01J3535E</b>	T-JQ 35-35 M10	35x35	1.5	8	22	M10	18.1	-
<b>01J4040E</b>	T-JQ 40-40 M10	40x40	1.5	8	22	M10	20	✓

# T-JRE

Tappo filettato con inserto per tubi a sezione rettangolare  
*Threaded cap with insert for rectangular-section pipes*

## **Materiale**

Tecnopolimero a base polietilene (PE).  
Resistente a sostanze chimiche organiche ed inorganiche quali oli, grassi, carburanti e solventi.

## **Colore**

Nero finitura satinata.

## **Inserto**

Acciaio zincato.

## **Confezione**

200 - 500 - 1000 pcs.

## **Material**

*Polyethylene-based (PE) technopolymer.  
Resistant to organic and inorganic chemical substances such as oils, greases, fuels and solvents.*

## **Colour**

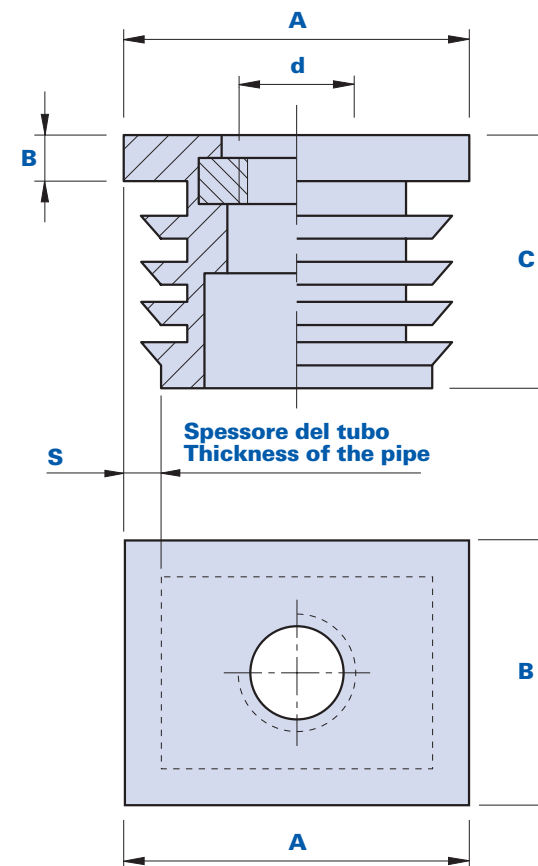
*Black with satin finish.*

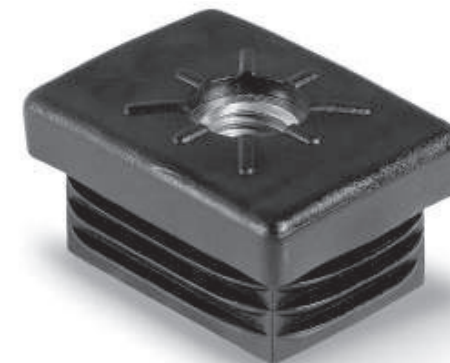
## **Insert**

*Galvanized steel.*

## **Package**

*200 - 500 - 1000 pcs.*





Codice <i>Code</i>	Descrizione <i>Description</i>	Dimensioni <i>Dimensions</i>					Peso grammi x1000 pz. <i>Weight grams x1000 pcs.</i>	Stock
		<b>A</b>	<b>S</b>	<b>B</b>	<b>C</b>	<b>d</b>		
<b>01J3015D</b>	T-JRE 30-15 M8	30x15	1.5	10	22	M8	8.9	-
<b>01J3020E</b>	T-JRE 30-20 M10	30x20	1.5	7	21	M10	12.4	-
<b>01J3520E</b>	T-JRE 35-20 M10	35x20	1.5	8	24	M10	13.5	-
<b>01J4020E</b>	T-JRE 40-20 M10	40x20	1.5	8	24	M10	13.8	-
<b>01J4030E</b>	T-JRE 40-30 M10	40x30	1.5	8	24	M10	20.8	-
<b>01J5025E</b>	T-JRE 50-25 M10	50x25	1.5	8	21	M10	18.8	-
<b>01J5030E</b>	T-JRE 50-30 M10	50x30	1,5	5	36	M10	20	-

# MB

## Tappo di copertura dadi, Din -934-936 *Nuts protection cap, Din -934-936*

### **Materiale**

Tecnopolimero a base polietilene (PE).  
Resistente a sostanze chimiche organiche  
ed inorganiche quali oli, grassi, carburanti,  
solventi.

### **Colore**

Nero finitura satinata. Altri colori per  
adeguate quantità.

### **Confezione**

MB 4 ÷ 12: 100 - 200 - 500 pcs.  
MB 14 ÷ 27: 50 - 100 - 200 pcs.  
MB 30 ÷ 64: 10 - 50 - 100 pcs.

### **Material**

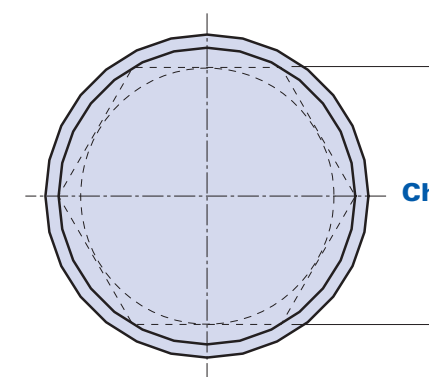
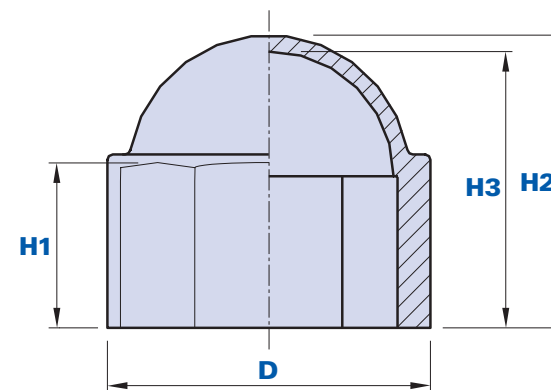
*Polyethylene-based (PE) technopolymer.  
Resistant to organic and inorganic chemical  
substances such as oils, greases, fuels and  
solvents.*

### **Colour**

*Black with satin finish. Other colours for  
suitable quantities.*

### **Package**

*MB 4 ÷ 12: 100 - 200 - 500 pcs.  
MB 14 ÷ 27: 50 - 100 - 200 pcs.  
MB 30 ÷ 64: 10 - 50 - 100 pcs.*

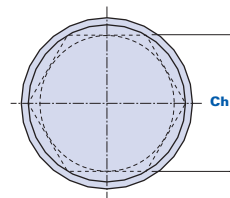
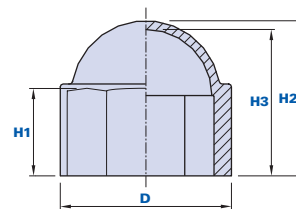




Codice <i>Code</i>	Descrizione <i>Description</i>	Vite filettata <i>Threaded screw</i>	Dimensioni <i>Dimensions</i>					Peso grammi x1000 pz. <i>Weight grams x1000 pcs</i>	Stock
			Ch	H1	D	H2	H3		
<b>01MB4</b>	MB 4	M4	6,9	3,5	9	8,3	7,5	0,30	✓
<b>01MB5</b>	MB 5	M5	7,9	5	10,9	9,5	8,5	0,30	✓
<b>01MB6</b>	MB 6	M6	9,8	6	12,9	13	12	0,70	✓
<b>01MB7</b>	MB 7	M7	10,8	6,5	14,1	13	12	0,50	✓
<b>01MB8</b>	MB 8	M8	12,8	9	16,8	15	14	1,30	✓
<b>01MB10</b>	MB 10	M10	16,7	9	21,3	19,5	18,5	1,90	✓
<b>01MB12</b>	MB 12	M12	18,7	11	23,6	21,5	20	2,50	✓
<b>01MB14</b>	MB 14	M14	21,7	12	27,5	24	22,5	3,50	✓
<b>01MB16</b>	MB 16	M16	23,7	14	29,8	27	25,5	4,50	✓
<b>01MB18</b>	MB 18	M18	26,8	15	34	33	29	6,52	✓



Tappo di copertura dadi, Din -934-936  
Nuts protection cap, Din -934-936



Codice Code	Descrizione Description	Vite filettata Threaded screw	Dimensioni Dimensions					Peso grammi x1000 pz. Weight grams x1000 pcs	Stock
			Ch	H1	D	H2	H3		
<b>01MB20</b>	MB 20	M20	29,8	17	37,7	33,2	31	8,10	✓
<b>01MB22</b>	MB 22	M22	31,8	19	39,7	36,2	34	10,75	✓
<b>01MB24</b>	MB 24	M24	35,8	20	44,4	39,2	38	10,73	✓
<b>01MB27</b>	MB 27	M27	40,8	23	50,1	46,5	44	18,59	✓
<b>01MB30</b>	MB 30	M30	45,8	25	55,9	51,5	49	26,36	-
<b>01MB33</b>	MB 33	M33	49,8	27	60,5	55,5	53	29,20	-
<b>01MB36</b>	MB 36	M36	54,8	30	67	59,5	57	15,00	-

Codice <i>Code</i>	Descrizione <i>Description</i>	Vite filettata <i>Threaded screw</i>	Dimensioni <i>Dimensions</i>					Peso grammi x1000 pz. <i>Weight grams x1000 pcs</i>	Stock
			Ch	H1	D	H2	H3		
<b>01MB39</b>	MB 39	M39	59,7	38	72	62,5	60	44,60	-
<b>01MB42</b>	MB 42	M42	63,7	42	76,5	65,5	63	52,00	-
<b>01MB45</b>	MB 45	M45	69,7	38	85,5	75,5	73	66,00	-
<b>01MB48</b>	MB 48	M48	75	41	91,6	81	78,51	84,50	-
<b>01MB52</b>	MB 52	M52	80	43,5	98	86,2	83,4	99,30	-
<b>01MB56</b>	MB 56	M56	85	48	104,2	91,6	88,6	123,70	-
<b>01MB64</b>	MB 64	M64	95	55	116,7	105,5	102	177,30	-



# ST

**PUZZLE  
ADVANCE**  
COMÉRCIO DE ACESSÓRIOS INDUSTRIAIS



**CLAUSUM**<sup>®</sup>



## Sottotappo cilindrico *Cylindrical parallel plug*

### **Materiale**

Tecnopolimero a base polietilene (PE). Resistente a sostanze chimiche organiche ed inorganiche quali oli, grassi, carburanti, solventi

### **Colore**

Bianco trasparente.

### **Montaggio**

A pressione.

### **Confezione**

ST D.2 ÷ D.19,5 : 100 - 200 - 500 pcs.

ST D.20 ÷ D.59 : 50 - 100 - 200 pcs.

ST D.60 ÷ D.108 : 10 - 50 - 100 pcs.

ST D.110 ÷ D.390 : 1 - 10 - 50 pcs.

### **Material**

*Polyethylene-based (PE) technopolymer.  
Resistant to organic and inorganic chemical substances such as oils, greases, fuels and solvents.*

### **Colour**

*Transparent white.*

### **Assembly**

*Press-fit.*

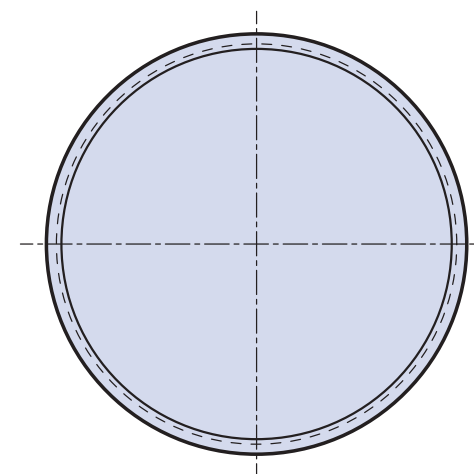
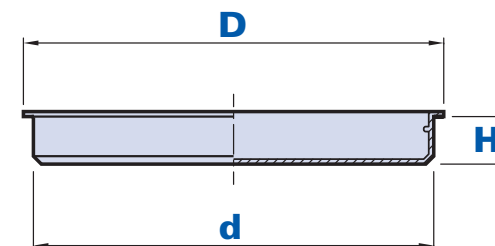
### **Package**

*ST D.2 ÷ D.19,5 : 100 - 200 - 500 pcs.*

*ST D.20 ÷ D.59 : 50 - 100 - 200 pcs.*

*ST D.60 ÷ D.108 : 10 - 50 - 100 pcs.*

*ST D.110 ÷ D.390 : 1 - 10 - 50 pcs.*

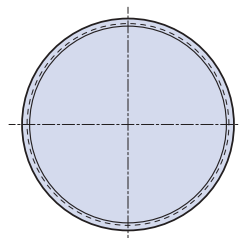
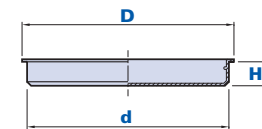




Dimensioni  
*Dimensions*

Codice <i>Code</i>	Descrizione <i>Description</i>	Dimensioni <i>Dimensions</i>			Peso grammi <i>Weight grams</i>	Stock
		<b>d</b>	<b>D</b>	<b>H</b>		
<b>01ST0020</b>	ST D. 2	2	6,5	3	0,02	✓
<b>01ST0025</b>	ST D. 2,5	2,5	6,5	3,5	0,03	✓
<b>01ST0030</b>	ST D. 3	3	6,5	4,5	0,03	-
<b>01ST0035</b>	ST D. 3,5	3,5	7	4,5	0,04	✓
<b>01ST0040</b>	ST D. 4	4	7,5	5	0,05	-
<b>01ST0045</b>	ST D. 4,5	4,5	8	5	0,06	✓
<b>01ST0050</b>	ST D. 5	5	9	6	0,08	✓
<b>01ST0055</b>	ST D. 5,5	5,5	9	6	0,08	✓
<b>01ST0060</b>	ST D. 6	6	9,5	6	0,09	-
<b>01ST0065</b>	ST D. 6,5	6,5	10	7	0,09	-



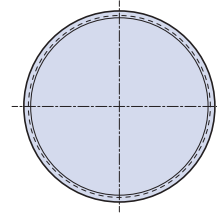
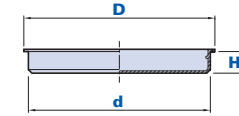


Codice <i>Code</i>	Descrizione <i>Description</i>	Dimensioni <i>Dimensions</i>			Peso grammi <i>Weight grams</i>	Stock
		<b>d</b>	<b>D</b>	<b>H</b>		
<b>01ST0070</b>	ST D. 7	7	10	6	0,12	✓
<b>01ST0075</b>	ST D. 7,5	7,5	10,5	6,5	0,14	-
<b>01ST0080</b>	ST D. 8	8	11	7	0,17	✓
<b>01ST0085</b>	ST D. 8,5	8,5	11,5	7,5	0,18	✓
<b>01ST0090</b>	ST D. 9	9	11,5	7,5	0,19	✓
<b>01ST0095</b>	ST D. 9,5	9,5	12,5	7,5	0,19	-

Dimensioni  
 Dimensions

Codice Code	Descrizione Description	Dimensioni Dimensions			Peso grammi Weight grams	Stock
		d	D	H		
<b>01ST0100</b>	ST D. 10	10	13	8,5	0,2	✓
<b>01ST0105</b>	ST D. 10,5	10,5	13,5	8,5	0,21	-
<b>01ST0110</b>	ST D. 11	11	14,5	8,5	0,25	✓
<b>01ST0115</b>	ST D. 11,5	11,5	14,5	8,5	0,26	-
<b>01ST0120</b>	ST D. 12	12	14,5	9	0,27	✓
<b>01ST0125</b>	ST D. 12,5	12,5	15,5	9	0,27	✓
<b>01ST0130</b>	ST D. 13	13	16,5	9,5	0,3	-
<b>01ST0135</b>	ST D. 13,5	13,5	16,5	9,5	0,32	-
<b>01ST0140</b>	ST D. 14	14	17,5	10	0,36	-
<b>01ST0145</b>	ST D. 14,5	14,5	17,5	9,5	0,38	✓
<b>01ST0150</b>	ST D. 15	15	18	9,5	0,4	✓
<b>01ST0155</b>	ST D. 15,5	15,5	18,5	9,5	0,41	✓
<b>01ST0160</b>	ST D. 16	16	19,5	10	0,5	-
<b>01ST0165</b>	ST D. 16,5	16,5	19,5	10,5	0,51	✓
<b>01ST0170</b>	ST D. 17	17	20,5	10,5	0,53	-
<b>01ST0175</b>	ST D. 17,5	17,5	21	10,5	0,54	✓



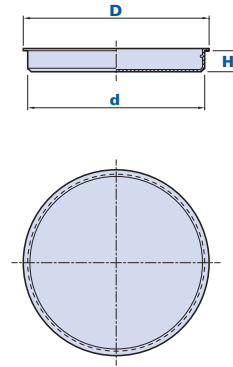


Codice Code	Descrizione Description	Dimensioni Dimensions			Peso grammi Weight grams	Stock
		d	D	H		
<b>01ST0180</b>	ST D. 18	18	21,5	10,5	0,57	✓
<b>01ST0185</b>	ST D. 18,5	18,5	23	10	0,59	-
<b>01ST0190</b>	ST D. 19	19	22	10	0,65	✓
<b>01ST0195</b>	ST D. 19,5	19,5	23	10,5	0,67	-
<b>01ST0200</b>	ST D. 20	20	23,5	11	0,73	✓
<b>01ST0205</b>	ST D. 20,5	20,5	24,5	10,5	0,75	✓

Dimensioni  
*Dimensions*

Codice <i>Code</i>	Descrizione <i>Description</i>	Dimensioni <i>Dimensions</i>			Peso grammi <i>Weight grams</i>	Stock
		<b>d</b>	<b>D</b>	<b>H</b>		
<b>01ST0210</b>	ST D. 21	21	24,5	11	0,76	✓
<b>01ST0215</b>	ST D. 21,5	21,5	25,5	11	0,78	-
<b>01ST0220</b>	ST D. 22	22	25,5	11	0,79	✓
<b>01ST0225</b>	ST D. 22,5	22,5	26	10,5	0,81	-
<b>01ST0230</b>	ST D. 23	23	27	10,5	0,84	✓
<b>01ST0235</b>	ST D. 23,5	23,5	27,5	10,5	0,86	-
<b>01ST0240</b>	ST D. 24	24	28	11,5	0,92	-
<b>01ST0245</b>	ST D. 24,5	24,5	28	10,5	0,94	-
<b>01ST0250</b>	ST D. 25	25	30	11	0,99	-
<b>01ST0255</b>	ST D. 25,5	25,5	29	10,5	1,01	-
<b>01ST0260</b>	ST D. 26	26	30,5	10,5	1,08	✓
<b>01ST0265</b>	ST D. 26,5	26,5	30	10,5	1,1	✓
<b>01ST0270</b>	ST D. 27	27	31	9,5	1,25	✓
<b>01ST0275</b>	ST D. 27,5	27,5	31	10,5	1,28	-
<b>01ST0280</b>	ST D. 28	28	32,5	10,5	1,38	✓
<b>01ST0285</b>	ST D. 28,5	28,5	32	10	1,4	-





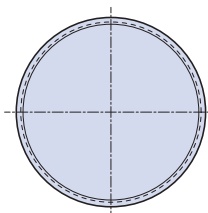
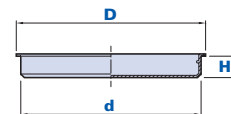
Codice <i>Code</i>	Descrizione <i>Description</i>	Dimensioni <i>Dimensions</i>			Peso grammi <i>Weight grams</i>	Stock
		d	D	H		
<b>01ST0290</b>	ST D. 29	29	32	9,5	1,42	✓
<b>01ST0295</b>	ST D. 29,5	29,5	33	10,5	1,45	-
<b>01ST0300</b>	ST D. 30	30	33	10	1,48	✓
<b>01ST0305</b>	ST D. 30,5	30,5	34	10	1,5	-
<b>01ST0310</b>	ST D. 31	31	36	10,5	1,52	✓
<b>01ST0315</b>	ST D. 31,5	31,5	35	10	1,54	-

Dimensioni  
 Dimensions

Codice Code	Descrizione Description	Dimensioni Dimensions			Peso grammi Weight grams	Stock
		d	D	H		
<b>01ST0320</b>	ST D. 32	32	37	10,5	1,6	✓
<b>01ST0325</b>	ST D. 32,5	32,5	37,5	10,5	1,63	-
<b>01ST0330</b>	ST D. 33	33	38	10,5	1,72	✓
<b>01ST0335</b>	ST D. 33,5	33,5	37,5	10,5	1,75	-
<b>01ST0340</b>	ST D. 34	34	38,5	10,5	1,8	✓
<b>01ST0345</b>	ST D. 34,5	34,5	38	10,5	1,83	-
<b>01ST0350</b>	ST D. 35	35	40	10,5	1,85	✓
<b>01ST0355</b>	ST D. 35,5	35,5	39	10,5	1,87	-
<b>01ST0360</b>	ST D. 36	36	41	11	1,9	✓
<b>01ST0365</b>	ST D. 36,5	36,5	40	10,5	1,92	-
<b>01ST0370</b>	ST D. 37	37	42	11	1,93	✓
<b>01ST0375</b>	ST D. 37,5	37,5	41,5	10,5	1,95	-
<b>01ST0380</b>	ST D. 38	38	43	10,5	2,1	✓
<b>01ST0385</b>	ST D. 38,5	38,5	42	10,5	2,15	-



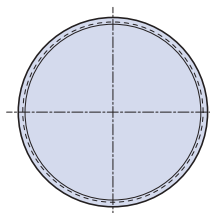
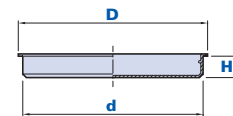




Codice <i>Code</i>	Descrizione <i>Description</i>	Dimensioni <i>Dimensions</i>			Peso grammi <i>Weight grams</i>	Stock
		d	D	H		
<b>01ST0390</b>	ST D. 39	39	44	10,5	2,2	✓
<b>01ST0395</b>	ST D. 39,5	39,5	43,3	10,7	2,25	-
<b>01ST0400</b>	ST D. 40	40	45	10,5	2,3	✓
<b>01ST0410</b>	ST D. 41	41	46	10,5	2,33	✓
<b>01ST0420</b>	ST D. 42	42	46,5	10,5	2,38	-
<b>01ST0430</b>	ST D. 43	43	47,8	10,7	2,41	✓
<b>01ST0440</b>	ST D. 44	44	49	10,5	2,48	✓
<b>01ST0450</b>	ST D. 45	45	50,8	10,6	2,6	✓

Codice Code	Descrizione Description	Dimensioni Dimensions			Peso grammi Weight grams	Stock
		d	D	H		
<b>01ST0460</b>	ST D. 46	46	50,8	10	2,74	✓
<b>01ST0470</b>	ST D. 47	47	51,5	10,5	2,84	✓
<b>01ST0480</b>	ST D. 48	48	53	10,5	2,9	✓
<b>01ST0485</b>	ST D. 48,5	48,5	52	10,5	2,95	-
<b>01ST0490</b>	ST D. 49	49	54,5	11	3,01	-
<b>01ST0500</b>	ST D. 50	50	54	10	3,07	✓
<b>01ST0510</b>	ST D. 51	51	56	11	3,15	✓
<b>01ST0520</b>	ST D. 52	52	57,5	11	3,22	✓
<b>01ST0530</b>	ST D. 53	53	59	11	3,26	✓
<b>01ST0535</b>	ST D. 53,5	53,5	55,5	9,5	3,33	-
<b>01ST0540</b>	ST D. 54	54	61	11	3,48	-
<b>01ST0550</b>	ST D. 55	55	61	10	3,52	✓
<b>01ST0560</b>	ST D. 56	56	63	11,5	3,67	✓
<b>01ST0565</b>	ST D. 56,5	56,5	59,5	10,5	3,75	-
<b>01ST0570</b>	ST D. 57	57	61	10	3,81	✓
<b>01ST0580</b>	ST D. 58	58	65	11	3,89	✓

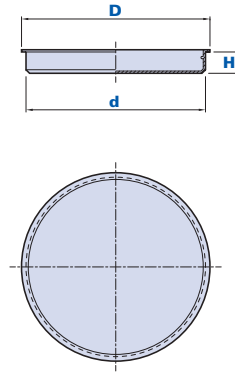




Codice <i>Code</i>	Descrizione <i>Description</i>	Dimensioni <i>Dimensions</i>			Peso grammi <i>Weight grams</i>	Stock
		<b>d</b>	<b>D</b>	<b>H</b>		
<b>01ST0590</b>	ST D. 59	59	65	11	4,11	✓
<b>01ST0600</b>	ST D. 60	60	65	11	4,31	✓
<b>01ST0610</b>	ST D. 61	61	67,5	11	4,5	✓
<b>01ST0620</b>	ST D. 62	62	68	11	4,68	✓
<b>01ST0630</b>	ST D. 63	63	67	9,5	4,77	✓
<b>01ST0635</b>	ST D. 63,5	63,5	70	10,5	4,81	-

Codice <i>Code</i>	Descrizione <i>Description</i>	Dimensioni <i>Dimensions</i>			Peso grammi <i>Weight grams</i>	Stock
		<b>d</b>	<b>D</b>	<b>H</b>		
<b>01ST0640</b>	ST D. 64	64	67,5	9,5	4,84	✓
<b>01ST0650</b>	ST D. 65	65	69	10	5	✓
<b>01ST0660</b>	ST D. 66	66	72	10	5,2	✓
<b>01ST0670</b>	ST D. 67	67	73	10	5,46	✓
<b>01ST0680</b>	ST D. 68	68	75	11	5,57	✓
<b>01ST0690</b>	ST D. 69	69	75	10,5	5,66	-
<b>01ST0700</b>	ST D. 70	70	74	11	5,74	✓
<b>01ST0710</b>	ST D. 71	71	74,5	11	5,88	✓
<b>01ST0715</b>	ST D. 71,5	71,5	74,5	10,5	5,96	-
<b>01ST0720</b>	ST D. 72	72	79	12	6,06	✓
<b>01ST0730</b>	ST D. 73	73	76,5	9,5	6,13	✓
<b>01ST0740</b>	ST D. 74	74	77,5	10,5	6,27	✓
<b>01ST0750</b>	ST D. 75	75	79	9,5	6,36	✓
<b>01ST0760</b>	ST D. 76	76	80	10,5	6,44	-

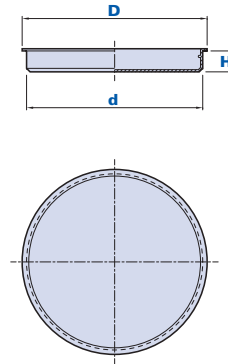




Codice Code	Descrizione Description	Dimensioni Dimensions			Peso grammi Weight grams	Stock
		d	D	H		
<b>01ST0770</b>	ST D. 77	77	81	9,5	6,57	✓
<b>01ST0780</b>	ST D. 78	78	82	10,5	6,72	✓
<b>01ST0790</b>	ST D. 79	79	83	9,6	6,85	✓
<b>01ST0800</b>	ST D. 80	80	84	9,5	7,02	-
<b>01ST0810</b>	ST D. 81	81	85	9,5	7,19	-
<b>01ST0820</b>	ST D. 82	82	85,5	9,5	7,36	✓

Codice <i>Code</i>	Descrizione <i>Description</i>	Dimensioni <i>Dimensions</i>			Peso grammi <i>Weight grams</i>	Stock
		<b>d</b>	<b>D</b>	<b>H</b>		
<b>01ST0830</b>	ST D. 83	83	86,5	9,5	7,61	-
<b>01ST0840</b>	ST D. 84	84	90	10	7,93	✓
<b>01ST0845</b>	ST D. 84,5	84,5	90	8	8,09	-
<b>01ST0850</b>	ST D. 85	85	88,5	9,5	8,18	-
<b>01ST0860</b>	ST D. 86	86	90	9,5	8,23	✓
<b>01ST0865</b>	ST D. 86,5	86,5	89	10	8,45	-
<b>01ST0870</b>	ST D. 87	87	90,5	9,5	8,68	✓
<b>01ST0880</b>	ST D. 88	88	91,5	9,5	8,83	✓
<b>01ST0890</b>	ST D. 89	89	92,5	9,5	8,99	-
<b>01ST0900</b>	ST D. 90	90	92,5	10	9,14	-
<b>01ST0910</b>	ST D. 91	91	93	9,5	9,28	-
<b>01ST0920</b>	ST D. 92	92	94,5	9,5	9,46	✓
<b>01ST0930</b>	ST D. 93	93	97	9,5	9,52	-
<b>01ST0940</b>	ST D. 94	94	97	9,5	9,71	-





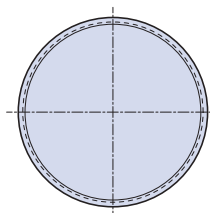
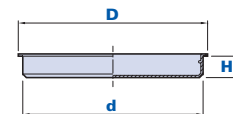
Codice <i>Code</i>	Descrizione <i>Description</i>	Dimensioni <i>Dimensions</i>			Peso grammi <i>Weight grams</i>	Stock
		d	D	H		
<b>01ST0950</b>	ST D. 95	95	97	9	9,95	-
<b>01ST0960</b>	ST D. 96	96	98	9,5	10,11	-
<b>01ST0970</b>	ST D. 97	97	99	9,5	10,28	-
<b>01ST0980</b>	ST D. 98	98	100	10	10,45	✓
<b>01ST0990</b>	ST D. 99	99	102	9,5	10,62	-
<b>01ST1000</b>	ST D. 100	100	104,5	10,5	10,74	-

Dimensioni  
*Dimensions*

Codice <i>Code</i>	Descrizione <i>Description</i>	Dimensioni <i>Dimensions</i>			Peso grammi <i>Weight grams</i>	Stock
		<b>d</b>	<b>D</b>	<b>H</b>		
<b>01ST1010</b>	ST D. 101	101	105	10,5	10,88	-
<b>01ST1020</b>	ST D. 102	102	106	10,5	11,03	-
<b>01ST1030</b>	ST D. 103	103	106	11	11,48	-
<b>01ST1040</b>	ST D. 104	104	106,5	11	11,93	-
<b>01ST1050</b>	ST D. 105	105	108	10,5	12,4	✓
<b>01ST1060</b>	ST D. 106	106	109,5	10,5	12,51	-
<b>01ST1070</b>	ST D. 107	107	110	10,5	12,63	-
<b>01ST1080</b>	ST D. 108	108	111,5	10,5	12,71	-
<b>01ST1100</b>	ST D. 110	110	114	12,5	12,84	-
<b>01ST1110</b>	ST D. 111	111	115	12,7	12,93	✓
<b>01ST1120</b>	ST D. 112	112	116	10,5	13,11	-
<b>01ST1150</b>	ST D. 115	115	118,5	12	13,64	-
<b>01ST1170</b>	ST D. 117	117	124	12	14,11	-
<b>01ST1210</b>	ST D. 121	121	124	12	14,89	-





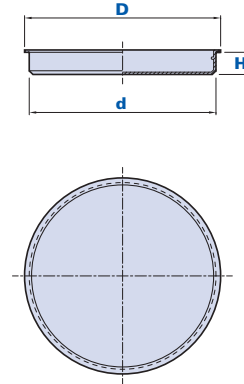


Codice <i>Code</i>	Descrizione <i>Description</i>	Dimensioni <i>Dimensions</i>			Peso grammi <i>Weight grams</i>	Stock
		d	D	H		
<b>01ST1220</b>	ST D. 122	122	128	13	15,31	-
<b>01ST1250</b>	ST D. 125	125	130	13,5	15,88	-
<b>01ST1260</b>	ST D. 126	126	130	13,7	16,33	-
<b>01ST1280</b>	ST D. 128	128	132	13,5	16,81	-
<b>01ST1300</b>	ST D. 130	130	134	13,5	17,34	-
<b>01ST1320</b>	ST D. 132	132	136,5	13	17,85	-

Dimensioni  
*Dimensions*

Codice <i>Code</i>	Descrizione <i>Description</i>	Dimensioni <i>Dimensions</i>			Peso grammi <i>Weight grams</i>	Stock
		<b>d</b>	<b>D</b>	<b>H</b>		
<b>01ST1350</b>	ST D. 135	135	141	12,5	20,16	-
<b>01ST1360</b>	ST D. 136	136	144	12,5	23,11	-
<b>01ST1400</b>	ST D. 140	140	144	13,5	24,37	-
<b>01ST1420</b>	ST D. 142	142	146	13,5	25,62	-
<b>01ST1460</b>	ST D. 146	146	152	12	26,87	-
<b>01ST1500</b>	ST D. 150	150	154	14,5	28,1	-
<b>01ST1520</b>	ST D. 152	152	156	15	29,08	-
<b>01ST1550</b>	ST D. 155	155	161	12	30,19	-
<b>01ST1600</b>	ST D. 160	160	167	14	31,32	-
<b>01ST1620</b>	ST D. 162	162	169	14	32,27	-
<b>01ST1650</b>	ST D. 165	165	171	12	33,48	-
<b>01ST1670</b>	ST D. 167	167	178	17,5	34,29	-
<b>01ST1690</b>	ST D. 169	169	175	12	35,35	-
<b>01ST1700</b>	ST D. 170	170	175,6	13,6	36,21	-
<b>01ST1720</b>	ST D. 172	172	177,6	13,6	37,28	-
<b>01ST1760</b>	ST D. 176	176	182	12	38,57	-





Codice <i>Code</i>	Descrizione <i>Description</i>	Dimensioni <i>Dimensions</i>			Peso grammi <i>Weight grams</i>	Stock
		<b>d</b>	<b>D</b>	<b>H</b>		
<b>01ST1800</b>	ST D. 180	180	187	14,5	39,71	-
<b>01ST1820</b>	ST D. 182	182	189	14,5	40,49	-
<b>01ST1840</b>	ST D. 184	184	194	16	41,38	-
<b>01ST1860</b>	ST D. 186	186	194	16	42,27	-
<b>01ST1900</b>	ST D. 190	190	195,6	13,6	43,61	✓
<b>01ST1920</b>	ST D. 192	192	197,6	13,6	44,57	-

Codice <i>Code</i>	Descrizione <i>Description</i>	Dimensioni <i>Dimensions</i>			Peso grammi <i>Weight grams</i>	<b>Stock</b>
		<b>d</b>	<b>D</b>	<b>H</b>		
<b>01ST2000</b>	ST D. 200	200	208	14	45,47	-
<b>01ST2020</b>	ST D. 202	202	210	14	46,53	-
<b>01ST2080</b>	ST D. 208	208	220	15	48,91	-
<b>01ST2110</b>	ST D. 211	211	217	12	49,76	-
<b>01ST2140</b>	ST D. 214	214	220	13,5	51,05	-
<b>01ST2210</b>	ST D. 221	221	227	12	53,29	-
<b>01ST2300</b>	ST D. 230	230	236	12	55,77	-
<b>01ST2320</b>	ST D. 232	232	242,6	13,5	57,91	-
<b>01ST2330</b>	ST D. 233	233	245	16	59,25	-
<b>01ST2500</b>	ST D. 250	250	259	14,5	64,87	-
<b>01ST2520</b>	ST D. 252	252	261	14,5	66,13	-
<b>01ST2610</b>	ST D. 261	261	273	16	69,91	-
<b>01ST2850</b>	ST D. 285	285	298	18	76,05	-
<b>01ST3020</b>	ST D. 302	302	309,6	18,5	83,71	-
<b>01ST3110</b>	ST D. 311	311	324	18	91,16	-
<b>01ST3900</b>	ST D. 390	390	400	19	117,7	-

# TXT



**PUZZLE  
ADVANCE**  
COMÉRCIO DE ACESSÓRIOS INDUSTRIAIS

 **CLAUSUM**<sup>®</sup>



## Tappo per tubi e raccordi *Plug for pipes and fittings*

### **Materiale**

Tecnopolimero a base polietilene (PE).  
Resistente a sostanze chimiche organiche ed inorganiche quali oli, grassi, carburanti, solventi.

### **Colore**

Bianco trasparente.

### **Confezione**

TXT D.4 ÷ D.38 : 100 - 200 - 500 pcs.  
TXT D.40 ÷ D.78 : 50 - 100 - 200 pcs.  
TXT D.80 ÷ D.168,3 : 10 - 50 - 100 pcs.  
TXT D.170 ÷ D.609,6 : 1 - 10 - 50 pcs.

### **Material**

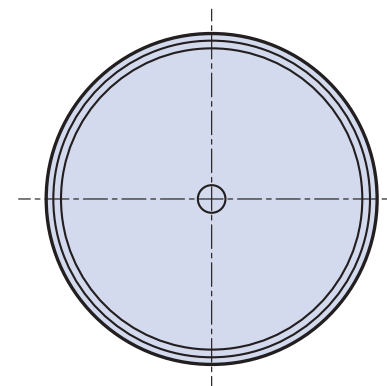
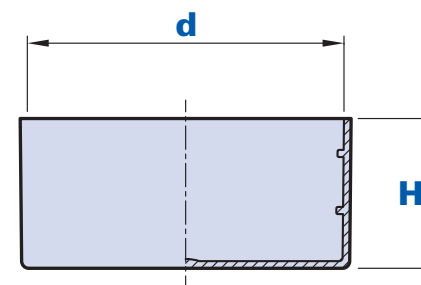
*Polyethylene-based (PE) technopolymer.  
Resistant to organic and inorganic chemical substances such as oils, greases, fuels and solvents.*

### **Colour**

*Transparent white.*

### **Package**

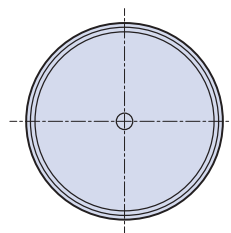
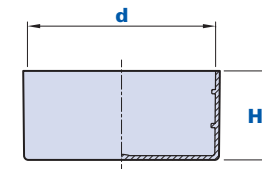
*TXT D.4 ÷ D.38 : 100 - 200 - 500 pcs.  
TXT D.40 ÷ D.78 : 50 - 100 - 200 pcs.  
TXT D.80 ÷ D.168,3 : 10 - 50 - 100 pcs.  
TXT D.170 ÷ D.609,6 : 1 - 10 - 50 pcs.*





Codice Code	Descrizione Description	Dimensioni Dimensions		Peso grammi Weight grams	Stock
		d	H		
01TXT00040	TXT D. 4	4	18,8	0,23	-
01TXT00050	TXT D. 5	5	18,8	0,32	-
01TXT00060	TXT D. 6	6	18,5	0,6	-
01TXT00063	TXT D. 6,35	6,35	18,5	0,63	-
01TXT00070	TXT D. 7	7	18,5	0,69	-
01TXT00080	TXT D. 8	8	19,8	0,79	-
01TXT00096	TXT D. 9,6	9,6	18,8	0,89	-
01TXT00100	TXT D. 10	10	18,8	0,98	-
01TXT00110	TXT D. 11	11	19,7	1,07	-
01TXT00115	TXT D. 11,5	11,5	19,7	1,11	-



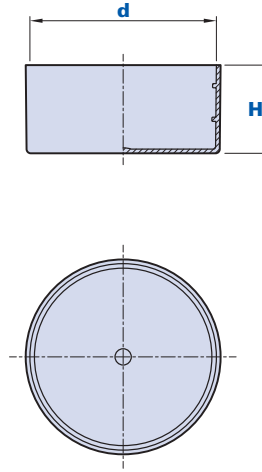


Codice <i>Code</i>	Descrizione <i>Description</i>	Dimensioni <i>Dimensions</i>		Peso grammi <i>Weight grams</i>	Stock
		<b>d</b>	<b>H</b>		
<b>01TXT00120</b>	TXT D. 12	12	19,6	1,17	-
<b>01TXT00127</b>	TXT D. 12,7	12,7	19,9	1,21	-
<b>01TXT00130</b>	TXT D. 13	13	19,9	1,26	-
<b>01TXT00137</b>	TXT D. 13,7	13,7	19,9	1,32	-
<b>01TXT00140</b>	TXT D. 14	14	16,7	1,36	-
<b>01TXT00150</b>	TXT D. 15	15	20,1	1,45	-

Codice <i>Code</i>	Descrizione <i>Description</i>	Dimensioni <i>Dimensions</i>		Peso grammi <i>Weight grams</i>	Stock
		<b>d</b>	<b>H</b>		
<b>01TXT00155</b>	TXT D. 15,5	15,5	16,7	1,5	-
<b>01TXT00160</b>	TXT D. 16	16	16,7	1,55	-
<b>01TXT00172</b>	TXT D. 17,2	17,2	18	1,65	-
<b>01TXT00180</b>	TXT D. 18	18	18	1,74	-
<b>01TXT00185</b>	TXT D. 18,5	18,5	18	1,79	-
<b>01TXT00190</b>	TXT D. 19	19	18	1,83	-
<b>01TXT00200</b>	TXT D. 20	20	21,3	1,93	-
<b>01TXT00213</b>	TXT D. 21,3	21,3	20,8	2,02	-
<b>01TXT00220</b>	TXT D. 22	22	20,8	2,12	-
<b>01TXT00232</b>	TXT D. 23,2	23,2	21	2,23	-
<b>01TXT00240</b>	TXT D. 24	24	21	2,31	-
<b>01TXT00254</b>	TXT D. 25,4	25,4	21	2,41	-
<b>01TXT00260</b>	TXT D. 26	26	25	2,5	-
<b>01TXT00269</b>	TXT D. 26,9	26,9	25	2,53	✓
<b>01TXT00285</b>	TXT D. 28,5	28,5	25	2,69	-
<b>01TXT00290</b>	TXT D. 29	29	25	2,78	-





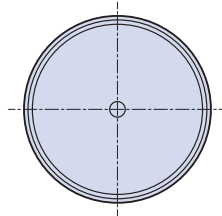
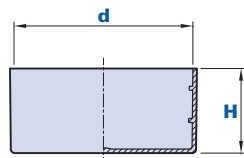


Codice <i>Code</i>	Descrizione <i>Description</i>	Dimensioni <i>Dimensions</i>		Peso grammi <i>Weight grams</i>	Stock
		d	H		
01TXT00300	TXT D. 30	30	25,6	2,88	-
01TXT00318	TXT D. 31,8	31,8	19,2	3,05	✓
01TXT00337	TXT D. 33,7	33,7	19,2	3,26	-
01TXT00350	TXT D. 35	35	25,6	3,71	✓
01TXT00365	TXT D. 36,5	36,5	20,6	3,8	-
01TXT00380	TXT D. 38	38	20,6	3,99	-

Dimensioni  
 Dimensions

Codice Code	Descrizione Description	Dimensioni Dimensions		Peso grammi Weight grams	Stock
		d	H		
<b>01TXT00400</b>	TXT D. 40	40	25,6	4,18	✓
<b>01TXT00413</b>	TXT D. 41,3	41,3	20	4,31	-
<b>01TXT00424</b>	TXT D. 42,4	42,4	25,3	4,59	-
<b>01TXT00445</b>	TXT D. 44,5	44,5	21,2	5,17	✓
<b>01TXT00454</b>	TXT D. 45,4	45,4	21,2	5,45	-
<b>01TXT00475</b>	TXT D. 47,5	47,5	25	6,03	-
<b>01TXT00483</b>	TXT D. 48,3	48,3	30	6,32	-
<b>01TXT00510</b>	TXT D. 51	51	29,5	7,18	✓
<b>01TXT00520</b>	TXT D. 52	52	30,8	7,46	-
<b>01TXT00528</b>	TXT D. 52,8	52,8	29,5	7,63	✓
<b>01TXT00540</b>	TXT D. 54	54	30	8,04	-
<b>01TXT00550</b>	TXT D. 55	55	30	8,32	-
<b>01TXT00570</b>	TXT D. 57	57	30	8,9	-
<b>01TXT00603</b>	TXT D. 60,3	60,3	27,8	9,76	✓
<b>01TXT00635</b>	TXT D. 63,5	63,5	28	10,6	✓
<b>01TXT00650</b>	TXT D. 65	65	28	11,59	-

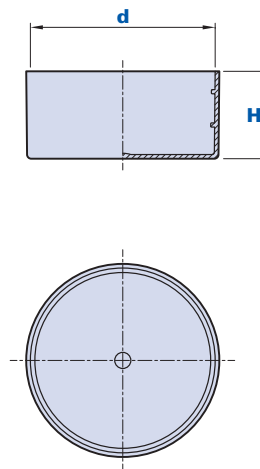




Codice <i>Code</i>	Descrizione <i>Description</i>	Dimensioni <i>Dimensions</i>		Peso grammi <i>Weight grams</i>	Stock
		<b>d</b>	<b>H</b>		
<b>01TXT00670</b>	TXT D. 67	67	35,4	12,59	-
<b>01TXT00700</b>	TXT D. 70	70	35,4	14,08	-
<b>01TXT00730</b>	TXT D. 73	73	29	15,57	-
<b>01TXT00750</b>	TXT D. 75	75	29	16,58	✓
<b>01TXT00762</b>	TXT D. 76,2	76	33	16,99	-
<b>01TXT00770</b>	TXT D. 77	77	30,5	17,41	-

Codice <i>Code</i>	Descrizione <i>Description</i>	Dimensioni <i>Dimensions</i>		Peso grammi <i>Weight grams</i>	Stock
		<b>d</b>	<b>H</b>		
<b>01TXT00780</b>	TXT D. 78	78	30,5	17,82	-
<b>01TXT00800</b>	TXT D. 80	80	30,5	18,65	-
<b>01TXT00820</b>	TXT D. 82	82	30,5	19,48	-
<b>01TXT00830</b>	TXT D. 83	83	30,5	19,9	-
<b>01TXT00850</b>	TXT D. 85	85	30,5	20,73	-
<b>01TXT00889</b>	TXT D. 88,9	88,9	35,6	21,97	-
<b>01TXT00900</b>	TXT D. 90	90	30	22,81	✓
<b>01TXT00924</b>	TXT D. 92,4	92,4	30	23,9	✓
<b>01TXT00950</b>	TXT D. 95	95	39	25,55	-
<b>01TXT00980</b>	TXT D. 98	98	31	27,2	-
<b>01TXT01000</b>	TXT D. 100	100	31	28,3	-
<b>01TXT01016</b>	TXT D. 101,6	101,6	29,5	28,85	-
<b>01TXT01030</b>	TXT D. 103	103	41	29,95	-
<b>01TXT01060</b>	TXT D. 106	106	41	31,6	-
<b>01TXT01080</b>	TXT D. 108	108	38,6	32,7	-
<b>01TXT01100</b>	TXT D. 110	110	38,6	33,8	-



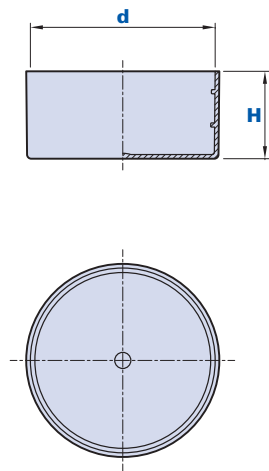


Codice <i>Code</i>	Descrizione <i>Description</i>	Dimensioni <i>Dimensions</i>		Peso grammi <i>Weight grams</i>	Stock
		<b>d</b>	<b>H</b>		
<b>01TXT01143</b>	TXT D. 114,3	114,3	40,3	36	-
<b>01TXT01175</b>	TXT D. 117,5	117,5	41,5	37,65	-
<b>01TXT01200</b>	TXT D. 120	120	39	39,3	-
<b>01TXT01210</b>	TXT D. 121	121	39	40	✓
<b>01TXT01250</b>	TXT D. 125	125	39	42,1	-
<b>01TXT01270</b>	TXT D. 127	127	36,2	43,15	-
<b>01TXT01300</b>	TXT D. 130	130	40	44,72	-
<b>01TXT01330</b>	TXT D. 133	133	40	46,3	-

Dimensioni  
 Dimensions

Codice Code	Descrizione Description	Dimensioni Dimensions		Peso grammi Weight grams	Stock
		d	H		
<b>01TXT01360</b>	TXT D. 136	136	40	47,87	-
<b>01TXT01380</b>	TXT D. 138	138	32,5	48,92	-
<b>01TXT01397</b>	TXT D. 139,7	139,7	40	49,45	-
<b>01TXT01413</b>	TXT D. 141,3	141,3	40	50,5	-
<b>01TXT01460</b>	TXT D. 146	146	40	53,12	-
<b>01TXT01480</b>	TXT D. 148	148	39	54,17	-
<b>01TXT01524</b>	TXT D. 152,4	152,4	39	56,27	-
<b>01TXT01560</b>	TXT D. 156	156	40	58,37	-
<b>01TXT01590</b>	TXT D. 159	159	49,5	59,95	-
<b>01TXT01600</b>	TXT D. 160	160	49,5	60,49	✓
<b>01TXT01650</b>	TXT D. 165	165	40	63,11	-
<b>01TXT01683</b>	TXT D. 168,3	168,3	39,6	64,68	-
<b>01TXT01700</b>	TXT D. 170	170	45	65,73	-
<b>01TXT01778</b>	TXT D. 177,8	177,8	42	69,4	-
<b>01TXT01800</b>	TXT D. 180	180	50,5	70,98	-
<b>01TXT01850</b>	TXT D. 185	185	40	73,6	-





Codice <i>Code</i>	Descrizione <i>Description</i>	Dimensioni <i>Dimensions</i>		Peso grammi <i>Weight grams</i>	Stock
		<b>d</b>	<b>H</b>		
<b>01TXT01900</b>	TXT D. 190	190	42	76,225	-
<b>01TXT01937</b>	TXT D. 193,7	193,7	42	77,8	-
<b>01TXT02000</b>	TXT D. 200	200	50,7	81,47	-
<b>01TXT02100</b>	TXT D. 210	210	40	86,72	-
<b>01TXT02191</b>	TXT D. 219,1	219,1	44,6	91,44	-
<b>01TXT02250</b>	TXT D. 225	225	40,3	94,59	-
<b>01TXT02320</b>	TXT D. 232	232	40	98,26	-
<b>01TXT02420</b>	TXT D. 242	242	50	100,78	-

Codice <i>Code</i>	Descrizione <i>Description</i>	Dimensioni <i>Dimensions</i>		Peso grammi <i>Weight grams</i>	Stock
		<b>d</b>	<b>H</b>		
<b>01TXT02450</b>	TXT D. 245	245	50	102,36	-
<b>01TXT02500</b>	TXT D. 250	250	40,3	104,98	-
<b>01TXT02670</b>	TXT D. 267	267	43	113,9	-
<b>01TXT02730</b>	TXT D. 273	273	51,6	117,05	-
<b>01TXT03150</b>	TXT D. 315	315	50	133,85	-
<b>01TXT03239</b>	TXT D. 323,9	323,9	49,5	138,05	-
<b>01TXT03556</b>	TXT D. 355,6	355,6	56,8	149,6	-
<b>01TXT03660</b>	TXT D. 366	366	54	155,37	-
<b>01TXT04000</b>	TXT D. 400	400	65	173,22	-
<b>01TXT04064</b>	TXT D. 406,4	406,4	63,3	176,37	-
<b>01TXT04190</b>	TXT D. 419	419	58	183,19	-
<b>01TXT04500</b>	TXT D. 450	450	65	199,46	-
<b>01TXT04572</b>	TXT D. 457,2	457,2	64,5	203,13	-
<b>01TXT05080</b>	TXT D. 508	508	67,5	229,9	-
<b>01TXT05588</b>	TXT D. 558,8	558,8	76	256,15	-
<b>01TXT06096</b>	TXT D. 609,6	609,6	63,8	282,92	-