

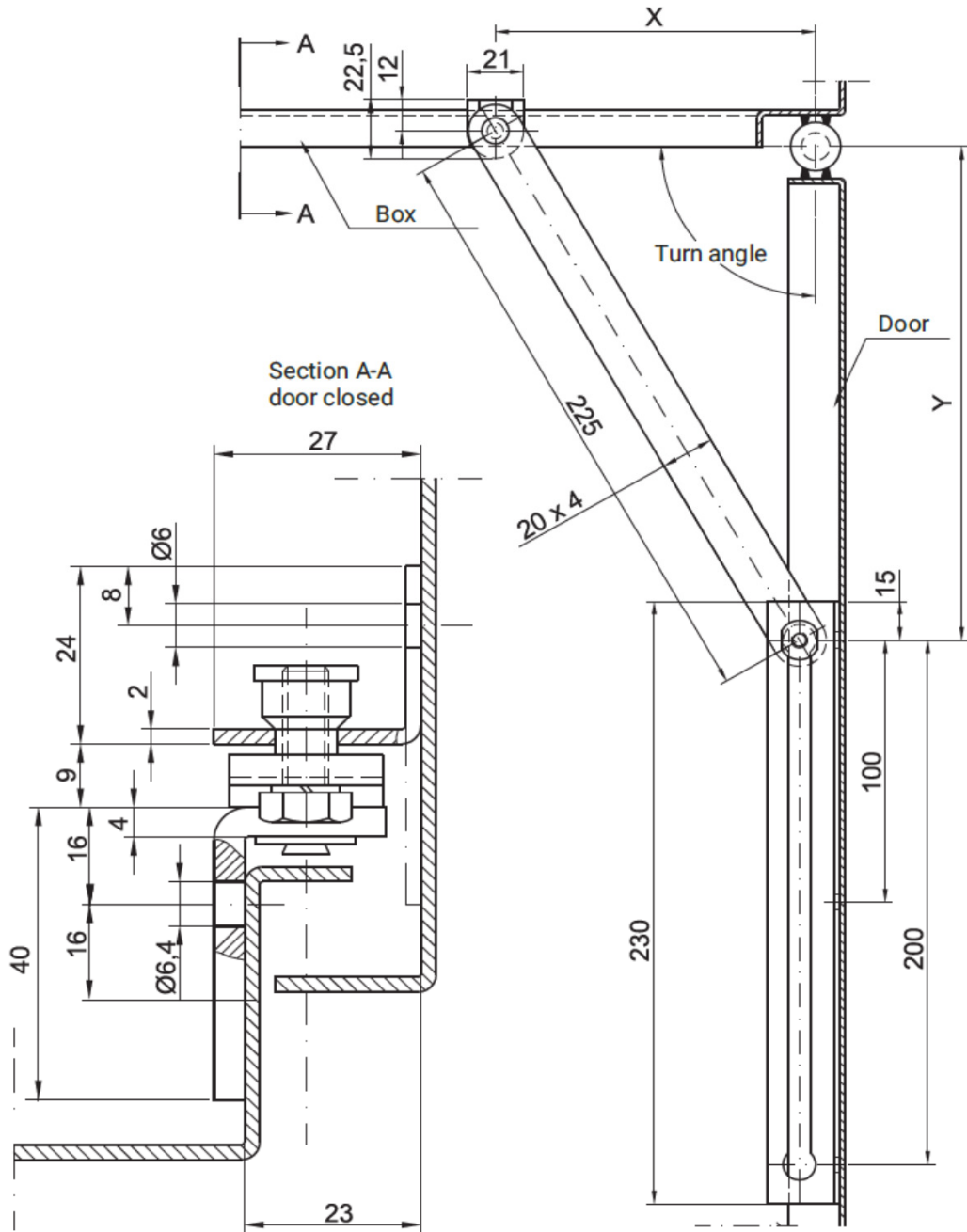
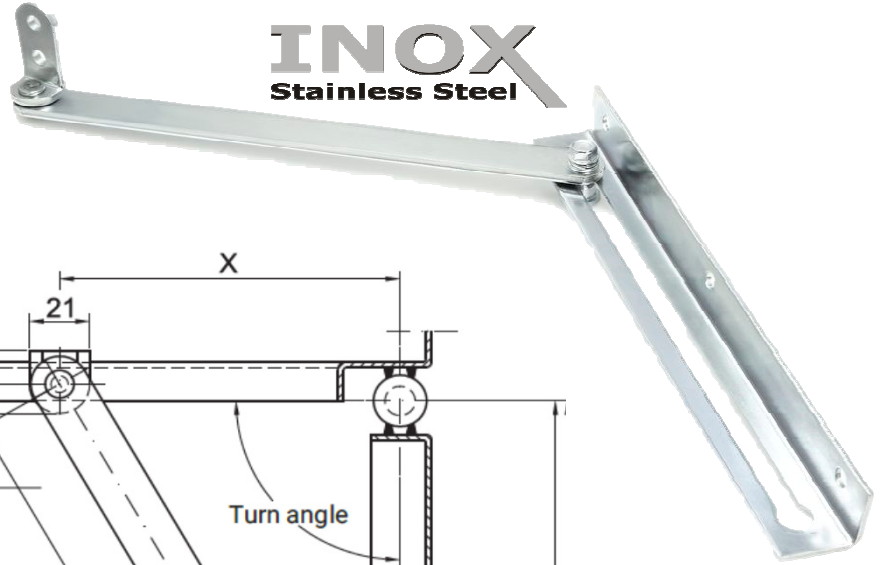


INOX Stainless Steel

COVER STAY

Material:

Cover stay: Steel, zinc plated or stainless steel



Overview of items

Version		DIMENSION		Part No	Part No
Cover Stay	TURN ANGLE	X	Y	Steel, zinc plated	Stainless Steel
	90°	140	176	PA5110115-000	PA5110115-SST
	105°	120	162		
	120°	110	149		
	135°	100	144		

