

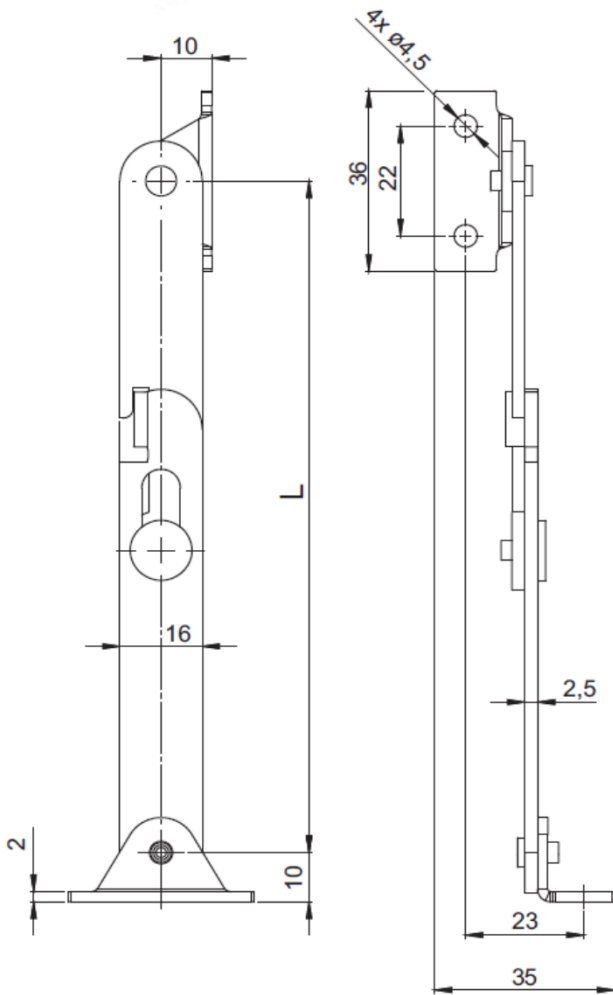
COVER STAY

Material:

Cover stay: Steel, zinc plated or stainless steel

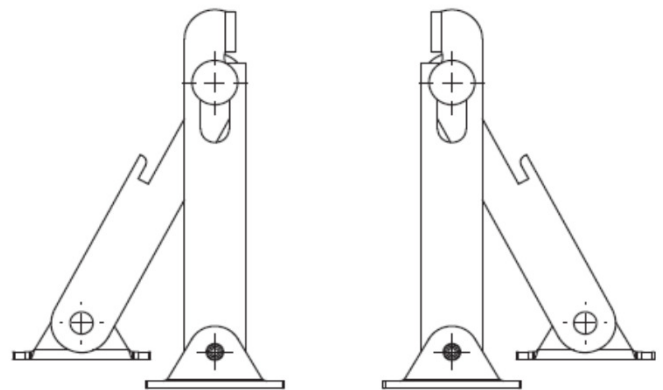


INOX
Stainless Steel



Left version

Right version



Overview of items

Version	L	Part No	Part No
		Steel, zinc plated	Stainless Steel
Cover Stay - Right	292	PA5110114-000	PA5110114-SST
Cover Stay - Left	292	PA5110124-000	PA5110124-SST
Cover Stay - Right	202	PA5110214-000	PA5110214-SST
Cover Stay - Left	202	PA5110224-000	PA5110224-SST
Cover Stay - Right	135	PA5110314-000	PA5110314-SST
Cover Stay - Left	135	PA5110324-000	PA5110324-SST