

### HINGE 120°

Door bending 18mm, for surface mounted door  
120° Concealed Hinge for surface mounted doors, heavy dutt version  
RH or LH application.

**Material:**

**Frame Partes:** Steel, zinc plated or stainless steel

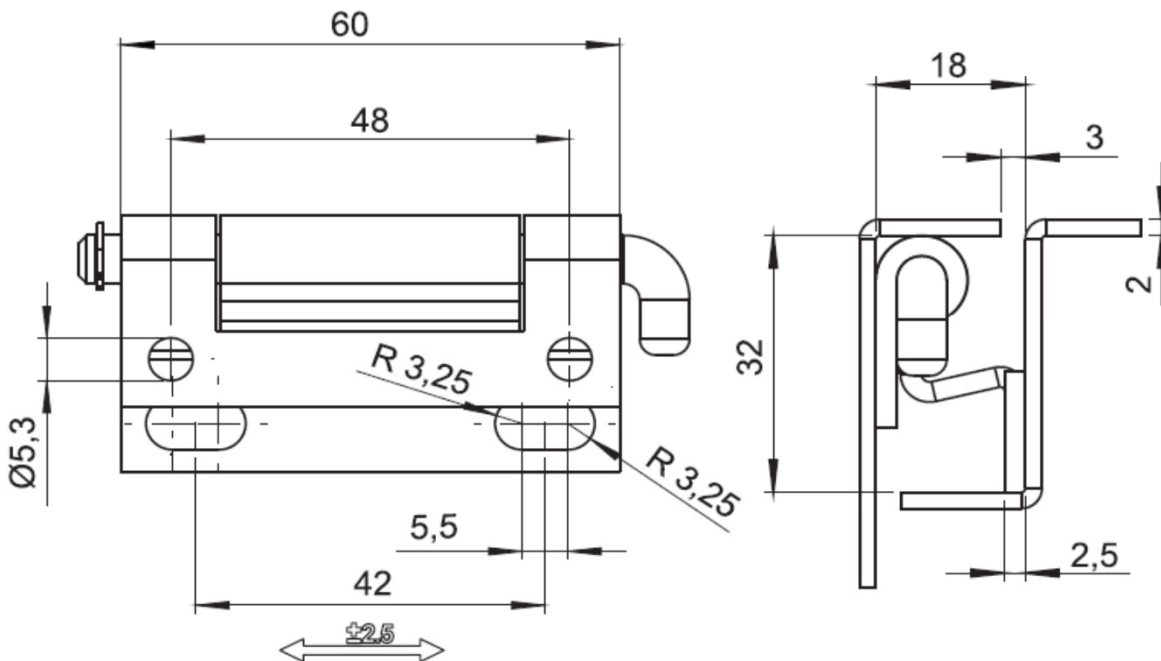
**Door-Part:** Steel, untreated or stainless steel

**Pin:** Steel, zinc plated or stainless steel

**Fastening washer:** steel, zinc plated or stainless steel



**INOX**  
Stainless Steel



**Overview of items**

Version	Part No	Part No
Frame-Part Countersunk for M6 Screws - Frame Holes Ø5.3 or M5	Steel, zinc plated	Stainless Steel
Hinge 120°	PA6410311-000	PA6410311-SST
Pin with groove are included.		