



## HEAVY DUTY LOCKS

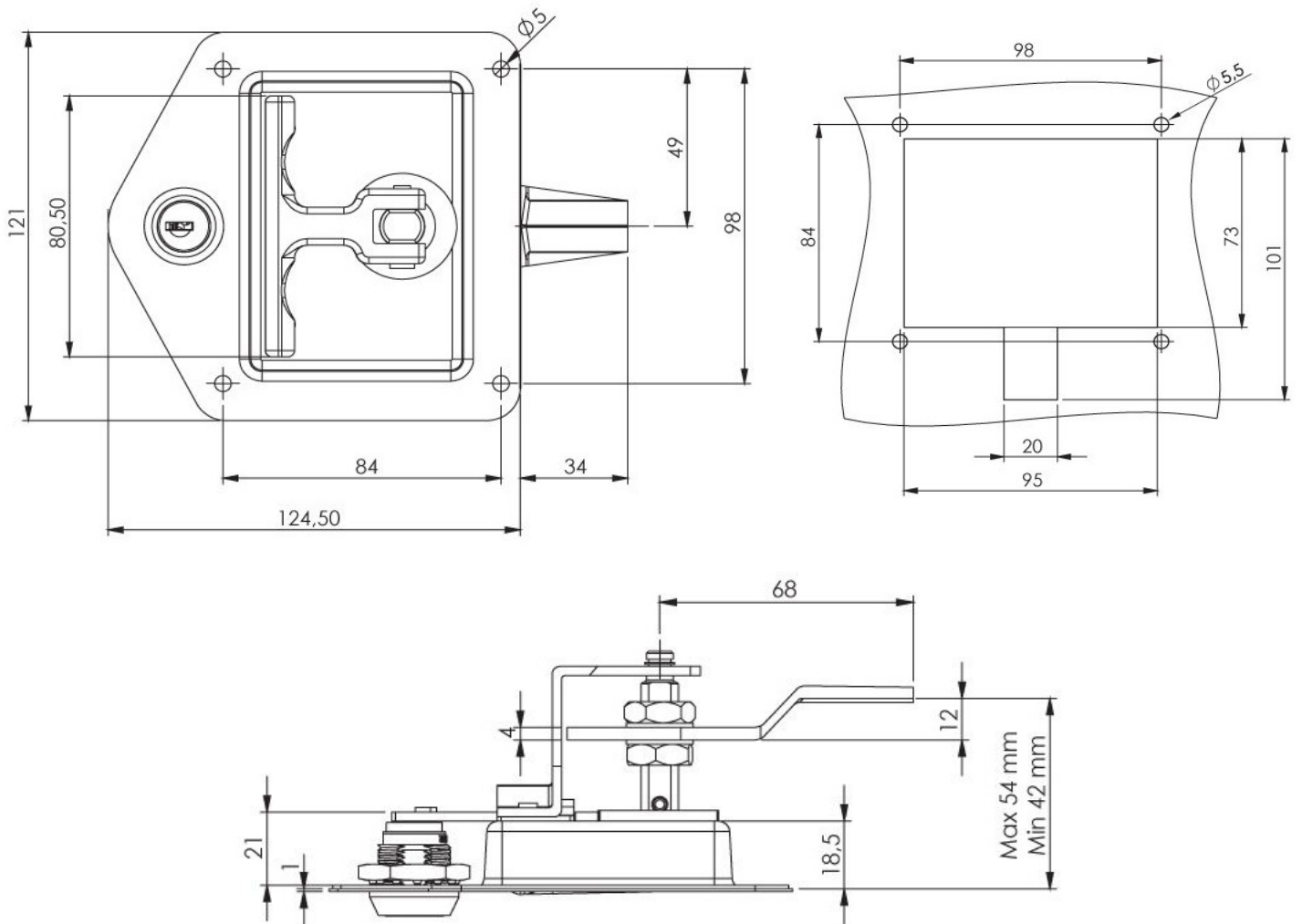
### Applications

Generators, Substations, Truck Toolboxes

**Body:** Steel or Stainless Steel

**Handle** Zinc die

**Cam:** Steel



### Overview of items

Version	Part N°	Part N°	Part N°
HEAVY DUTY LOCKS	Stainless Steel	Zinc die, chrome pl.	Zinc die, Black
Keyed Different / Mixed	PA2686710-SST	PA2686710-OCR	PA2686710-OSW
Keyed Alike	PA2686720-SST	PA2686720-OCR	PA2686720-OSW

