

MAGNETS WITH THREAD PIN IN NdFeB, WITH RUBBER PROTECTIVE JACKET

Material:

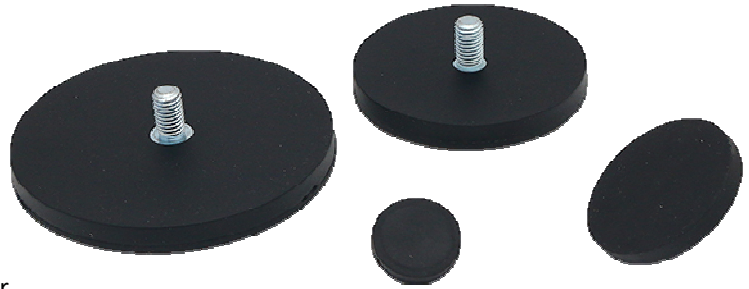
Housing in galvanized steel

magnetic core NdFeB

Protective rubber jacket, synthetic rubber, black

Note:

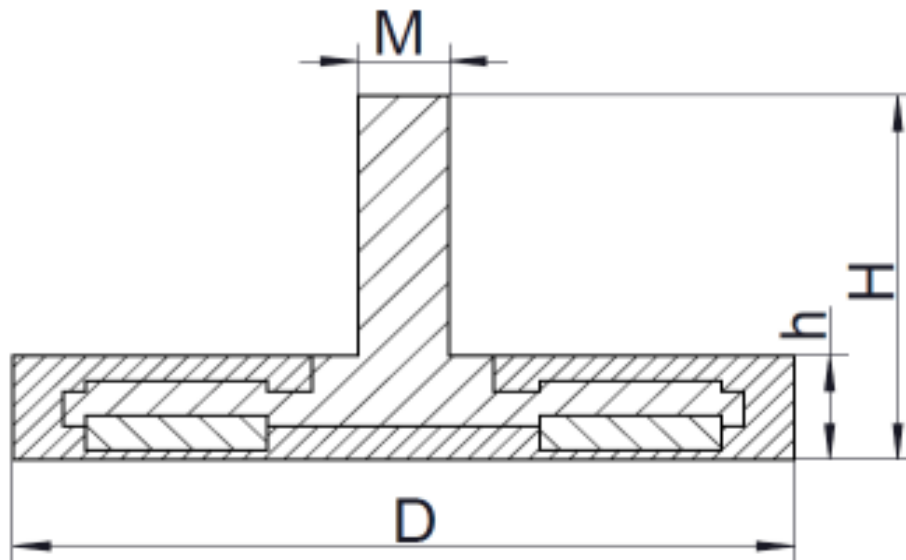
Flat gripper with thread pin, Shielded system with rubber protective jacket for protecting sensitive surfaces.



The coefficient of friction is increased by the rubber protective jacket, so that high lateral static friction forces are achieved.

Temperature Range:

Max. 60°C



Overview of items

Version	D (mm)	M	h (mm)	H (mm)	Adhesive force (Kg)	Approx. Weight (g)
PA5640-022	22	M4	6	12.5	5	14
PA5640-034	34	M4	8	16.5	6	25
PA5640-043	43	M6	6	21	8	32
PA5640-066	66	M8	8	23	20	107
PA5640-088	88	M8	8.5	24.5	42	193