

MAGNETS WITH THREAD BUSH IN NdFeB, WITH RUBBER PROTECTIVE JACKET



Material:

Housing in galvanized steel

magnetic core NdFeB

Protective rubber jacket, synthetic rubber, black

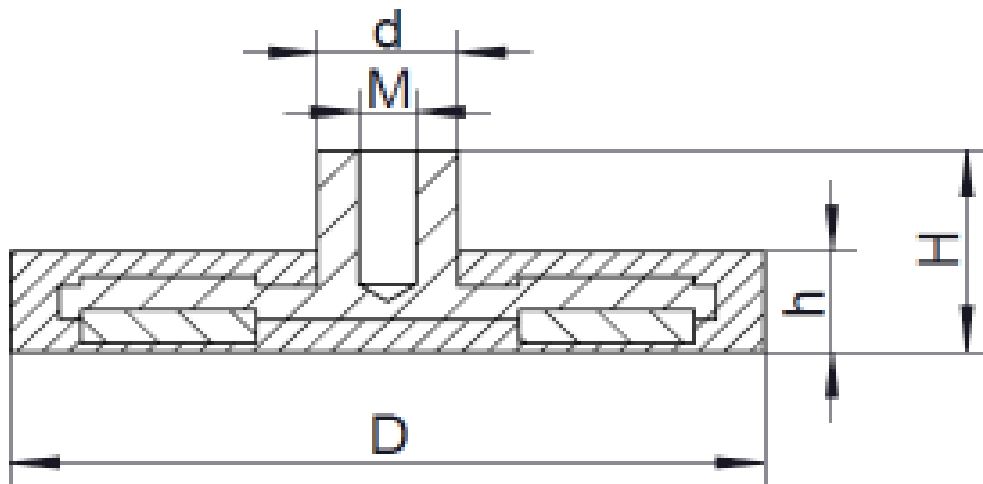
Note:

Flat gripper with thread bush, Shielded system with rubber protective jacket for protecting sensitive surfaces.

The coefficient of friction is increased by the rubber protective jacket, so that high lateral static friction forces are achieved.

Temperature Range:

Max. 60°C



Overview of items

Version	D (mm)	M	D1 (mm)	h (mm)	H (mm)	Adhesive force (Kg)	Approx. Weight (g)
PA5630-022	22	M4	8	6	11.5	5	12
PA5630-034	34	M4	8	8	14	6	22
PA5630-043	43	M4	8	6	12	8	33
PA5630-066	66	M5	10	8	14.2	20	104
PA5630-088	88	M8	12	8.5	15.8	42	200