



MAGNETS SHALLOW POT WITH INTERNAL THREAD NdFeB

Material:

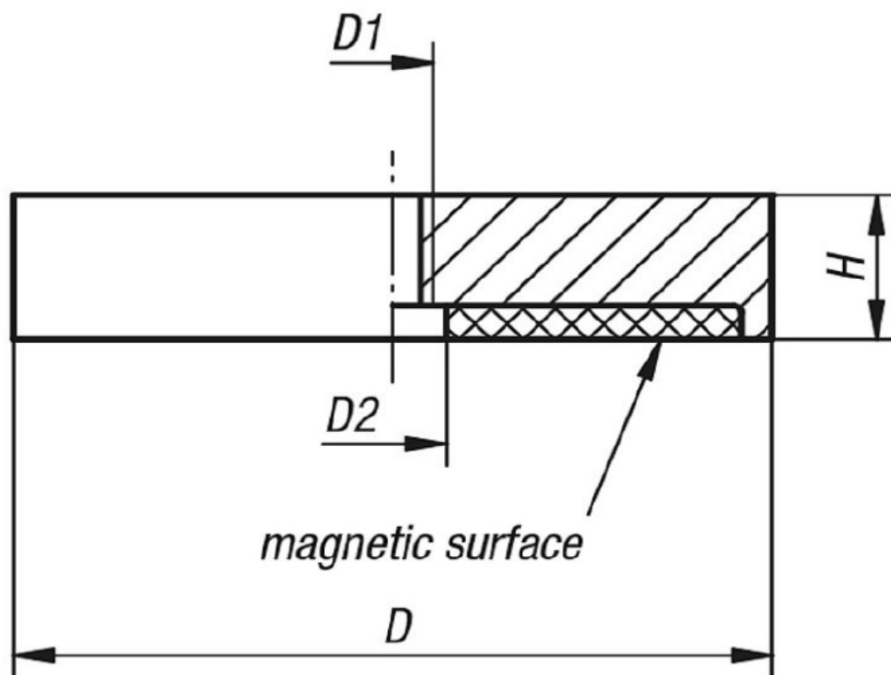
Housing in galvanized steel,
magnetic core NdFeB

Note:

Shielded System

Temperature Range:

Max. 80°C



Overview of items

Version	D (mm)	D1	D2 (mm)	H (mm)	Adhesive force (N)	Approx. Weight (g)
PA5560-032	32	M5	5.5	7	330	40
PA5560-040	40	M5	10.5	8	550	73
PA5560-063	63	M10	11.7	14	1.100	316
PA5560-075	75	M10	13	15	1.750	480

