

MAGNETS SHALLOW POT NdFeB

Material:

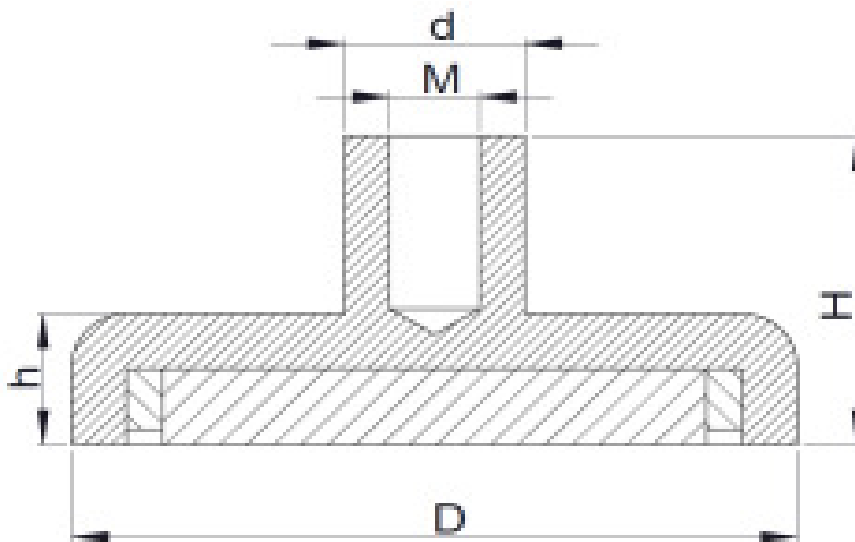
Housing in nickel coating
magnetic core NdFeB

Note:

Shielded System

Temperature Range:

Max. 80°C



Overview of items

Version	D (mm)	d (mm)	M	h (mm)	H (mm)	Adhesive force (Kg)	Approx. Weight (g)
PA5534-010	10	6	M3	5	12.6	1.5	4
PA5534-012	12	6	M3	5	12.6	2	5
PA5534-016	16	6.5	M4	5.2	13.5	8	9
PA5534-020	20	6.5	M4	7.2	15	12	17
PA5534-025	25	7.5	M5	7.7	17	25	28
PA5534-032	32	10	M6	7.8	18	34	45
PA5534-036	36	10	M6	7.6	18.5	50	55
PA5534-042	42	10	M6	8.8	18.8	72	84
PA5534-048	48	12	M8	11	24	81	130
PA5534-055	55	12	M8	12	28	95	211
PA5534-060	60	12	M8	15	28	160	263
PA5534-070	70	17	M10	17	34	200	481
PA5534-075	75	17	M10	18	35	270	551
PA5534-080	80	17	M10	18	35	300	515
PA5534-090	90	17	M10	18	35	360	854
PA5534-120	120	23	M12	18	40	480	1140