

TOGGLE LATCH

Flexible - Over-center

Material and Finish

Latch:

Link and bushings:

Glass reinforced nylon

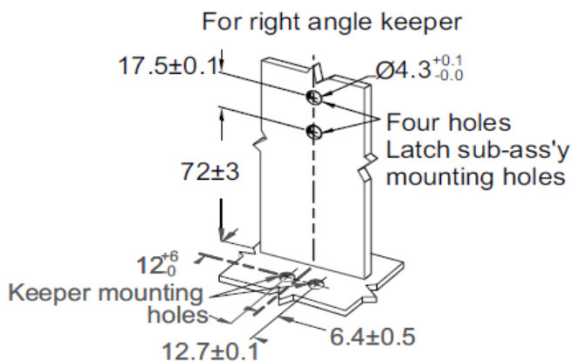
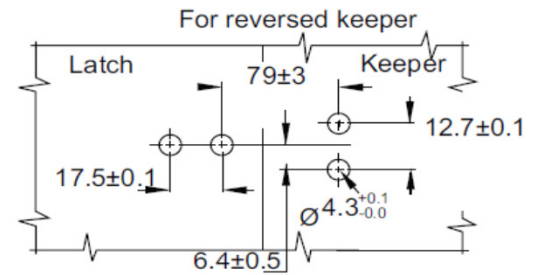
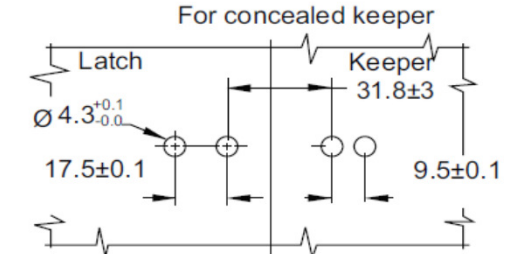
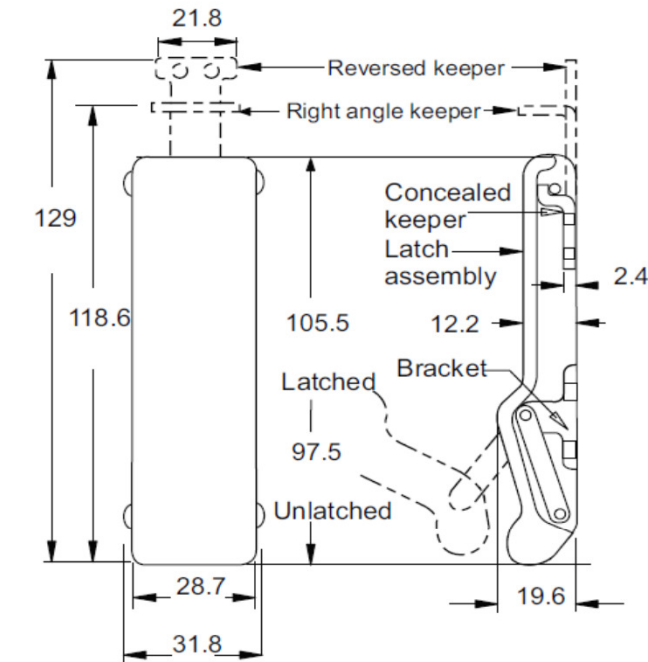
Keeper and bracket: Stainless steel

Performance Details

Clamping force: 49N

Installation Notes

Install assembly with four $\varnothing 4$ rivets or M4 screws (not supplied)



Overview of items

Version	Part N°
Toggle Latch - Flexible	PA3909171-000