

QUARTER-TURN GH=60

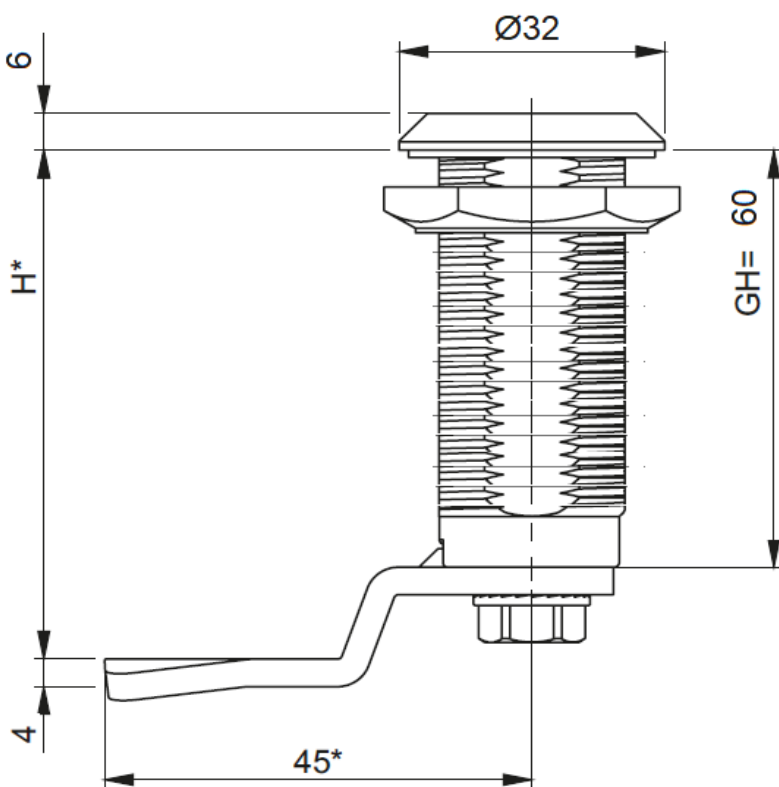
Material:

Housing: Zinc die, chrome plated, zinc die black, Polyamide or Stainless steel

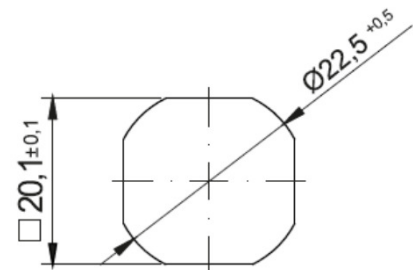
Insert: Zinc die, chrome plated, zinc die black, Polyamide or Stainless steel

Cam: Steel, zinc plated or Stainless steel.

INOX
Stainless Steel



CutOut



Overview of items

Version	Zinc die Chrome pl.	Zinc die Black	Polyamide Black	Stainless Steel
b) Hex 8mm	PA2206130-000	PA2206140-000	PA2206170-000	PA2206180-000
Hex 9mm	PA2206131-000	PA2206141-000	PA2206171-000	PA2206181-000
Double bit 3mm	PA2206132-000	PA2206142-000	PA2206172-000	PA2206182-000
Double bit 5mm	PA2206133-000	PA2206143-000	PA2206173-000	PA2206183-000
Square 7mm	PA2206135-000	PA2206145-000	PA2206175-000	PA2206185-000
Square 8mm	PA2206136-000	PA2206146-000	PA2206176-000	PA2206186-000
Square 8mm slotted	PA2206137-000	PA2206147-000	PA2206177-000	PA2206187-000
Triangular 7mm	PA2206138-000	PA2206148-000	PA2206178-000	PA2206188-000
Triangular 8mm	PA2206139-000	PA2206149-000	PA2206179-000	PA2206189-000
Triangular 10mm with M5 screw hole	PA2206197-000	-	-	-
Slotted recessed coinproof	PA2206155-000	PA2206165-000	PA2206195-000	-

* Cam Steel Zinc plate ou stainless steel - see cam series 5 - page 1A-130

