

QUARTER-TURN GH=50

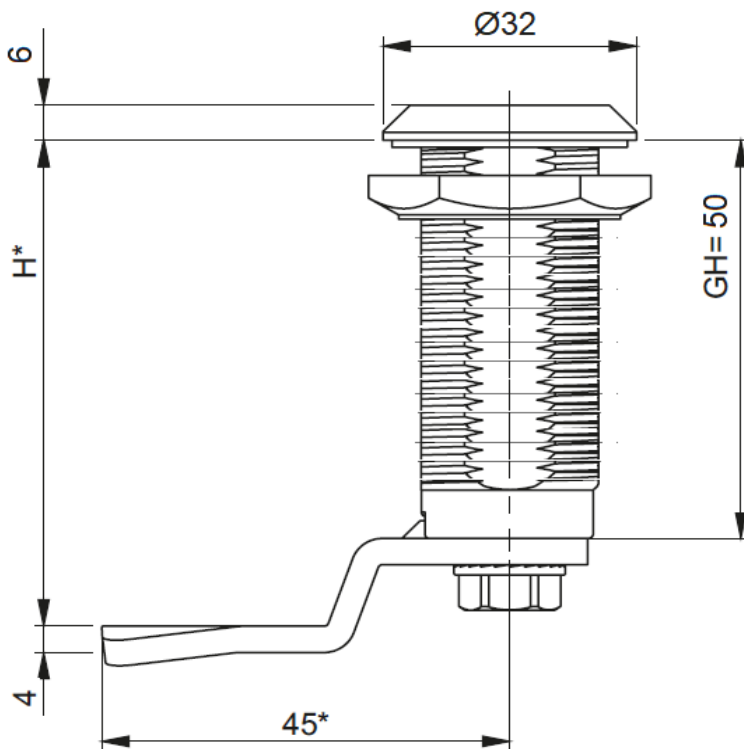
Material:

Housing: Zinc die, chrome plated, zinc die black, Polyamide or Stainless steel

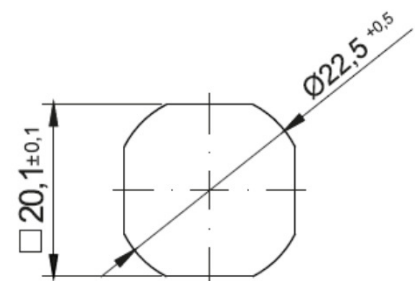
Insert: Zinc die, chrome plated, zinc die black, Polyamide or Stainless steel

Cam: Steel, zinc plated or Stainless steel.

INOX
Stainless Steel



CutOut



Overview of items

Version	Zinc die Chrome pl.	Zinc die Black	Polyamide Black	Stainless Steel
Hex 8mm	PA2205130-000	PA2205140-000	PA2205170-000	PA2205180-000
Hex 9mm	PA2205131-000	PA2205141-000	PA2205171-000	PA2205181-000
Double bit 3mm	PA2205132-000	PA2205142-000	PA2205172-000	PA2205182-000
Double bit 5mm	PA2205133-000	PA2205143-000	PA2205173-000	PA2205183-000
Square 7mm	PA2205135-000	PA2205145-000	PA2205175-000	PA2205185-000
Square 8mm	PA2205136-000	PA2205146-000	PA2205176-000	PA2205186-000
Square 8mm slotted	PA2205137-000	PA2205147-000	PA2205177-000	PA2205187-000
Triangular 7mm	PA2205138-000	PA2205148-000	PA2205178-000	PA2205188-000
Triangular 8mm	PA2205139-000	PA2205149-000	PA2205179-000	PA2205189-000
Triangular 10mm with M5 screw hole	PA2205197-000	-	-	-
Slotted recessed coinproof	PA2205155-000	PA2205165-000	PA2205195-000	-

* Cam Steel Zinc plate ou stainless steel - see cam series 5 - page 1A-130

