

## QUARTER-TURN GH=40

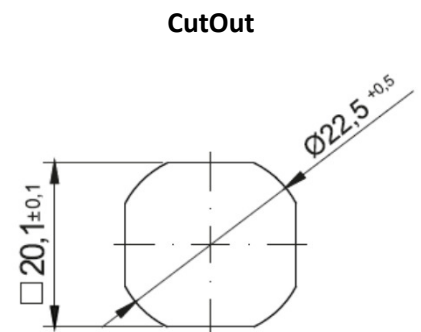
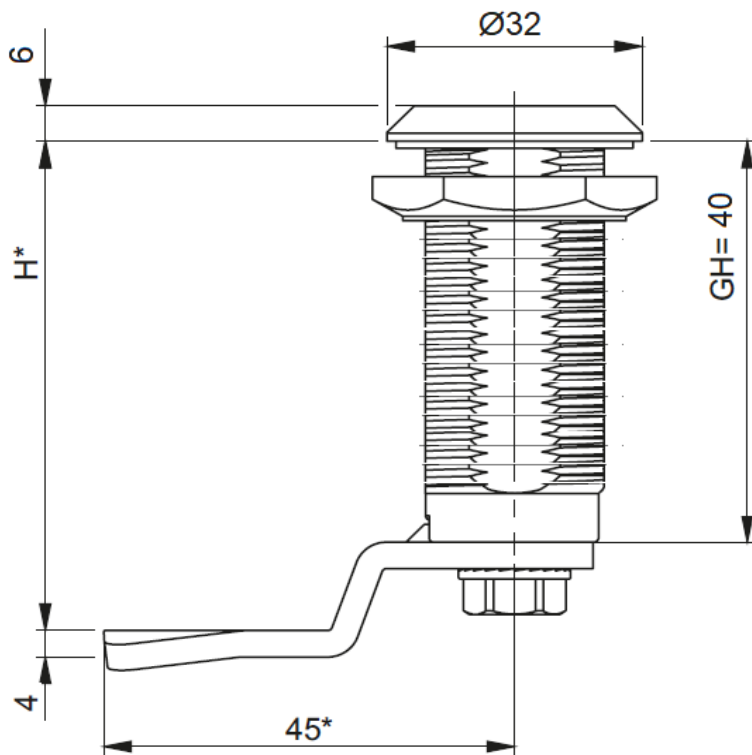
### Material:

**Housing:** Zinc die, chrome plated, zinc die black, Polyamide or Stainless steel

**Insert:** Zinc die, chrome plated, zinc die black, Polyamide or Stainless steel

**Cam:** Steel, zinc plated or Stainless steel.

**INOX**  
Stainless Steel



### Overview of items

Version	Zinc die Chrome pl.	Zinc die Black	Polyamide Black	Stainless Steel
Hex 8mm	PA2204130-000	PA2204140-000	PA2204170-000	PA2204180-000
Hex 9mm	PA2204131-000	PA2204141-000	PA2204171-000	PA2204181-000
Double bit 3mm	PA2204132-000	PA2204142-000	PA2204172-000	PA2204182-000
Double bit 5mm	PA2204133-000	PA2204143-000	PA2204173-000	PA2204183-000
Square 7mm	PA2204135-000	PA2204145-000	PA2204175-000	PA2204185-000
Square 8mm	PA2204136-000	PA2204146-000	PA2204176-000	PA2204186-000
Square 8mm slotted	PA2204137-000	PA2204147-000	PA2204177-000	PA2204187-000
Triangular 7mm	PA2204138-000	PA2204148-000	PA2204178-000	PA2204188-000
Triangular 8mm	PA2204139-000	PA2204149-000	PA2204179-000	PA2204189-000
Triangular 10mm with M5 screw hole	PA2204197-000	-	-	-
Slotted recessed coinproof	PA2204155-000	PA2204165-000	PA2204195-000	-

\* Cam Steel Zinc plate ou stainless steel - see cam series 5 - page 1A-130

