

QUARTER-TURN GH=20

Material:

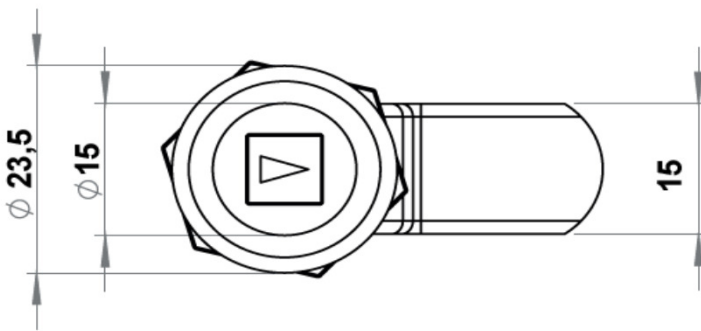
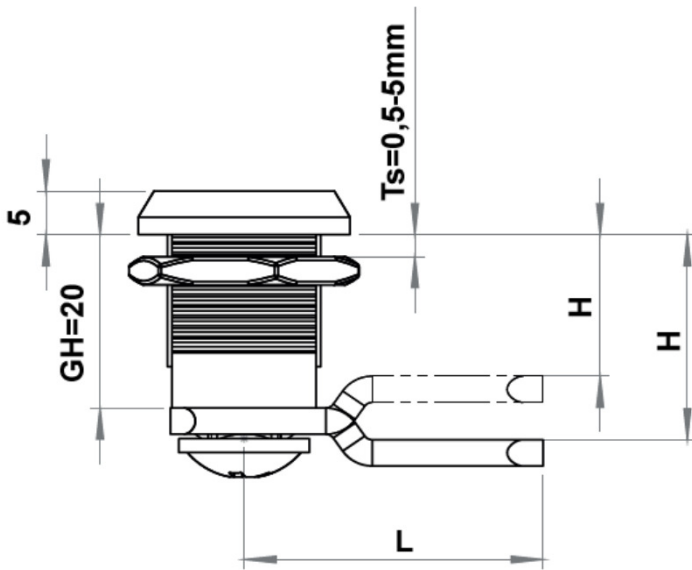
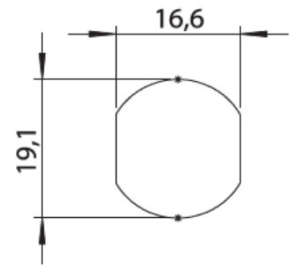
Housing: Zinc die, Black or Chrome Plated

Insert: Zinc die, Black or Chrome Plated

Cam: Steel, zinc plated



Panel cutout



CAMS:

| XXX | CH | L | GH=20 |
|-----|------|----|-------|
| 012 | -7,3 | 20 | 12,7 |
| 016 | -3,5 | 34 | 16,5 |
| 20A | 0 | 32 | 20 |
| 20B | 0 | 35 | 20 |
| 20C | 0 | 45 | 20 |
| 022 | 2 | 35 | 22 |
| 023 | 3,5 | 39 | 23,5 |
| 027 | 7 | 42 | 27 |

Overview of items

| Version | Zin die crome pl. | Zinc die black |
|----------------|-------------------|----------------|
| Double Bit 3mm | PA2301132-XXX | PA2301142-XXX |
| Double Bit 5mm | PA2301133-XXX | PA2301143-XXX |
| Square 7mm | PA2301135-XXX | PA2301145-XXX |
| Square 8mm | PA2301136-XXX | PA2301146-XXX |
| Triangular 7mm | PA2301138-XXX | PA2301148-XXX |
| Triangular 8mm | PA2301139-XXX | PA2301149-XXX |
| Triangular 9mm | PA2301159-XXX | PA2301169-XXX |
| Slotted | PA2301155-XXX | PA2301165-XXX |