



HINGE 100°

Door Bending 20mm, for surface mounted door 100°
Concealed Hinge for surface mounted door.
RH or LH application.

Material:

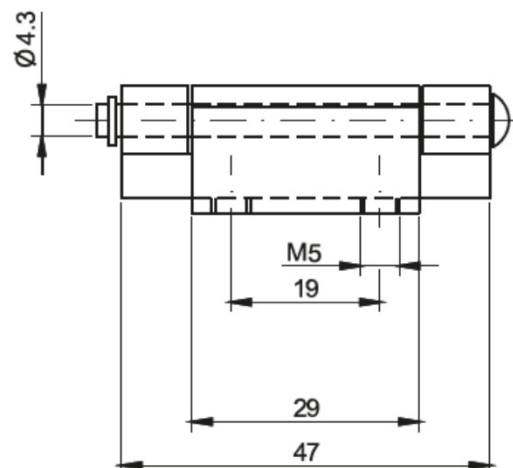
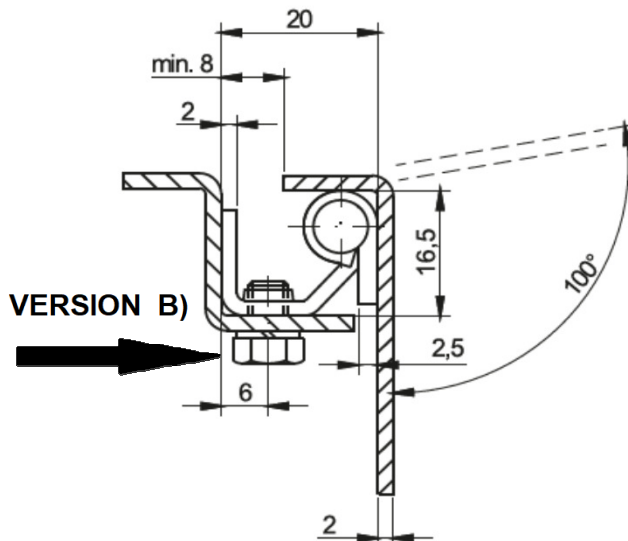
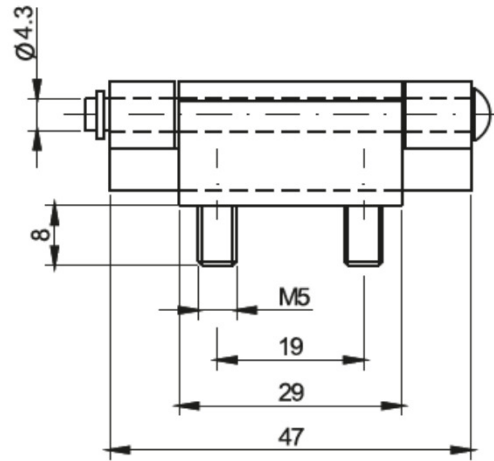
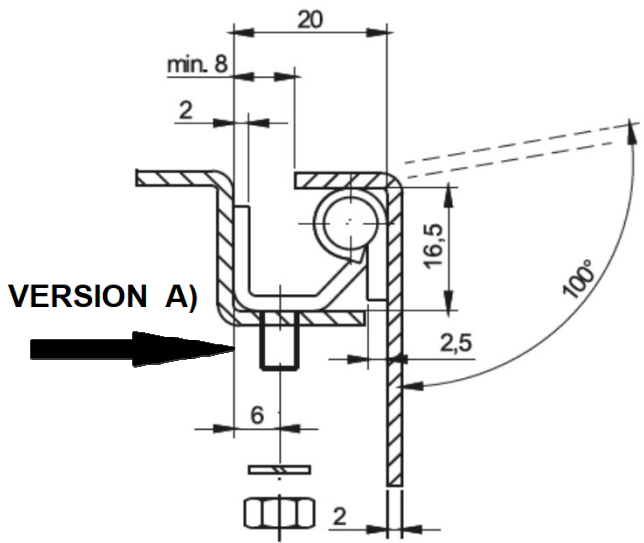
Frame Partes: Steel, zinc plated or stainless steel

Door-Part: Steel, untreated or stainless steel

Pin: Steel, zinc plated or stainless steel



INOX
Stainless Steel



Overview of items

Version	Part No	Part No
100° Concealed Hinge	Steel, zinc plated	Stainless Steel
Hinge - Version A	PA6410372-000	PA6410372-SST
Hinge - Version B	PA6410373-000	PA6410373-SST

