

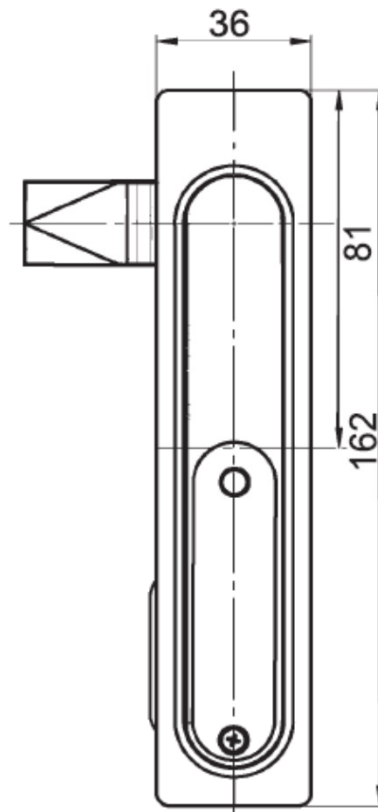
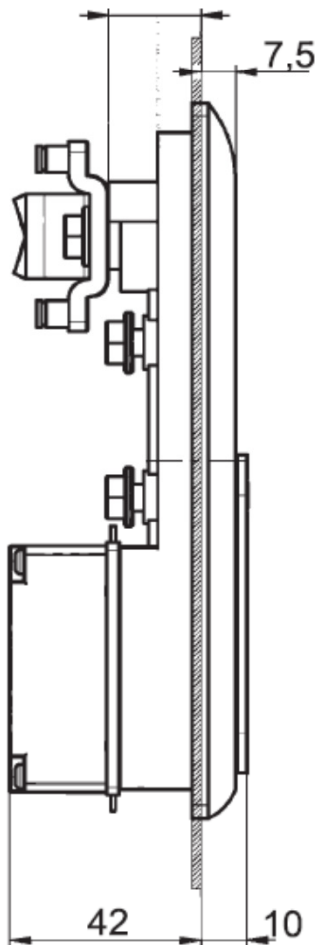
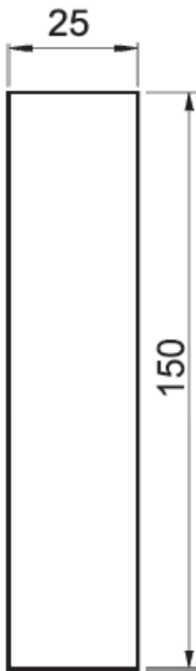
Flat with round cylinder, for round rods

Material:

Swinghandle: Zinc die, Black Textured Powder Coated

Door Dish: Zinc die, Black Textured Powder Coated

Cut out



Overview of items

Version	Part N°
Swinghandle - cam control - for Profile-Cylinder*	PA2405710-000
Cam - page 1A-130	
* Profile-Cylinder ordered separately	