

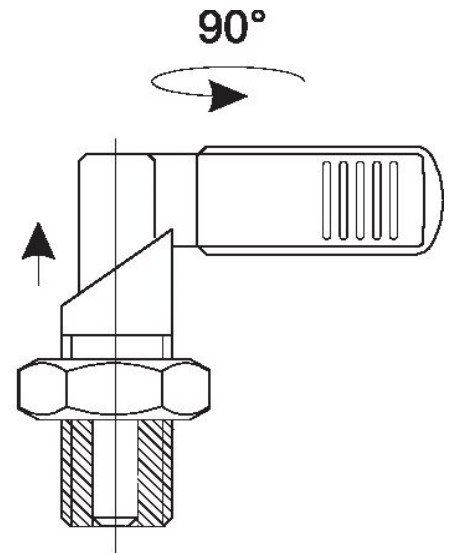
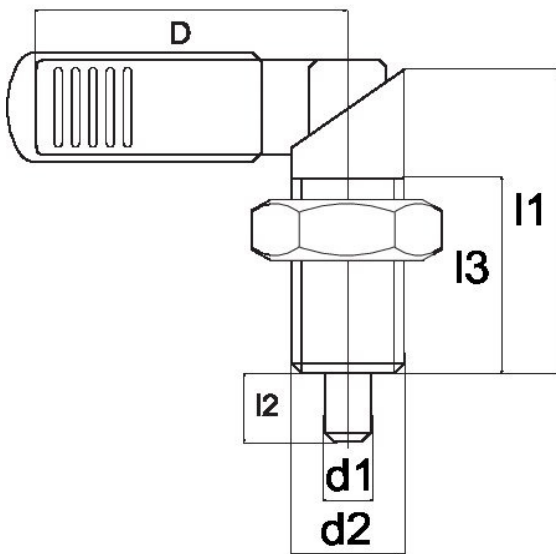
STANDARD MATERIAL SLEEVE AND BOLT

Steel gunmetal finish

The handle lever is additionally covered with a black plastic cap.

* Index bolts with D = 32 mm are delivered without plastic cap on the handle lever

Index bolts with lever and stop are always used when the indexing pin may not temporarily protrude. The bar is turned through 90° to locate the indexing pin in the retracted position.



Overview of items

Version	D	d1	d2	l2	l3	l1
PA6903-5-M12x1.5-B-N	32*	5	M12X1,5	8	26	39
PA6903-6-M12x1.5-B-N	32*	6	M12X1,5	8	26	39
PA6903-8-M12x1.5-B-N	32*	8	M12X1,5	8	26	39
PA6903-6-M16x1.5-B-N	42	6	M16X1,5	10	30	46
PA6903-8-M16x1.5-B-N	42	8	M16X1,5	10	30	46
PA6903-10-M16x1.5-B-N	42	10	M16X1,5	10	30	46
PA6903-8-M20x1.5-B-N	52	8	M20X1,5	12	36	57
PA6903-10-M20x1.5-B-N	52	10	M20X1,5	12	36	57
PA6903-12-M20x1.5-B-N	52	12	M20X1,5	12	36	57