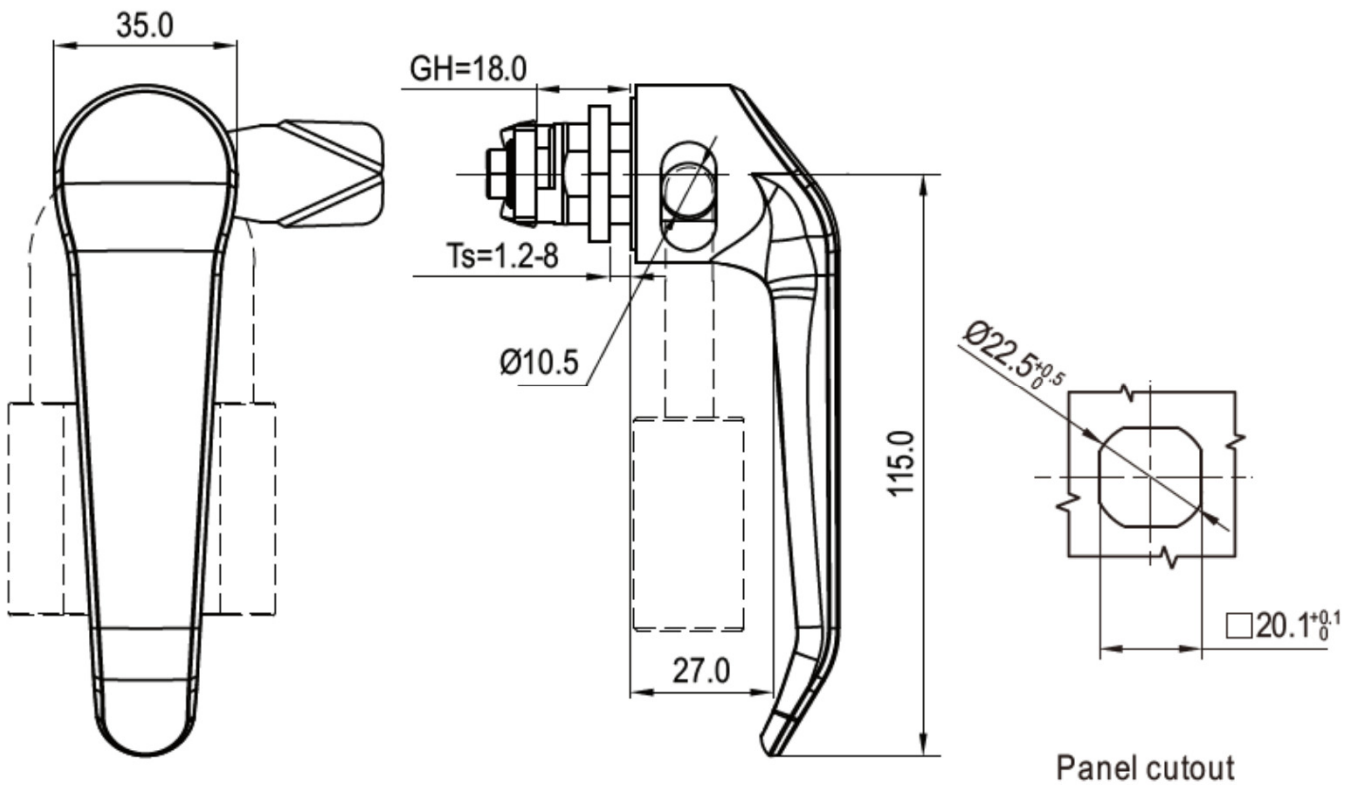


QUARTER-TURN WITH L-HANDLE - IP65
Material:
Housing: Zinc die Black Textured Powerd Coated or Stainless Steel 316

L-Handle: Zinc die Black Textured Powerd Coated or Stainless Steel 316

Cam: Steel, zinc plated or Stainless steel

INOX
Stainless Steel

Overview of items

Version	Part N°	Part N°
	Zinc die, Black	Stainless Steel
Quarter-Turn with L-Handle, for Padlock	PA2109325-000	PA2109325-SST
Cam See page 1A-130		