

## QUARTER-TURN FOR PADLOCK

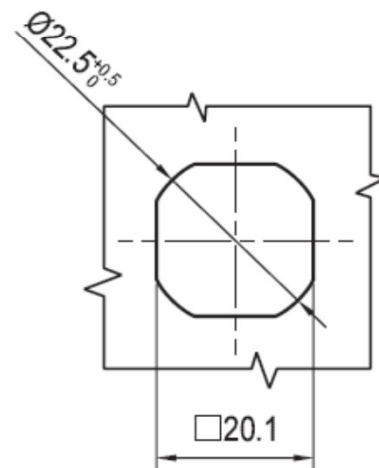
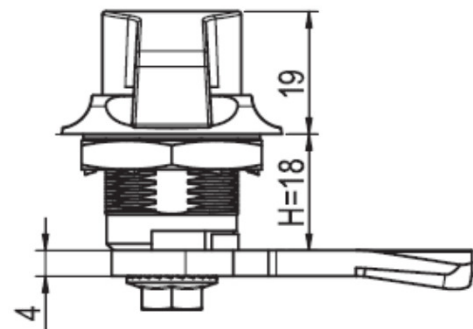
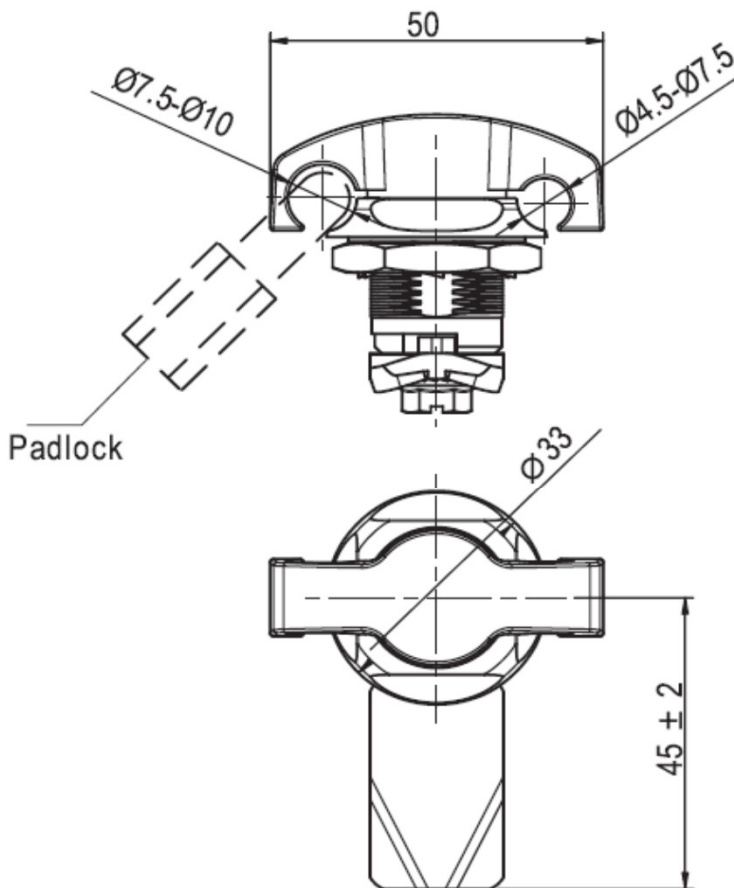
**Material:**

**Housing:** Zinc die Black Textured Power Coated or Stainless Steel 316

**Handle:** Zinc die Black Textured Power Coated or Stainless Steel 316

**Cam:** Steel, zinc plated or Stainless steel

**INOX**  
Stainless Steel



Panel Cutout

**Overview of items**

Version	Part N°	Part N°	Part N°
	Zinc die, chrome pl.	Zinc die, Black	Stainless Steel
Quarter-Turn for Padlock	PA2107120-OCR	PA2107120-OSW	PA2107120-SST
Cam See page 1A-130			