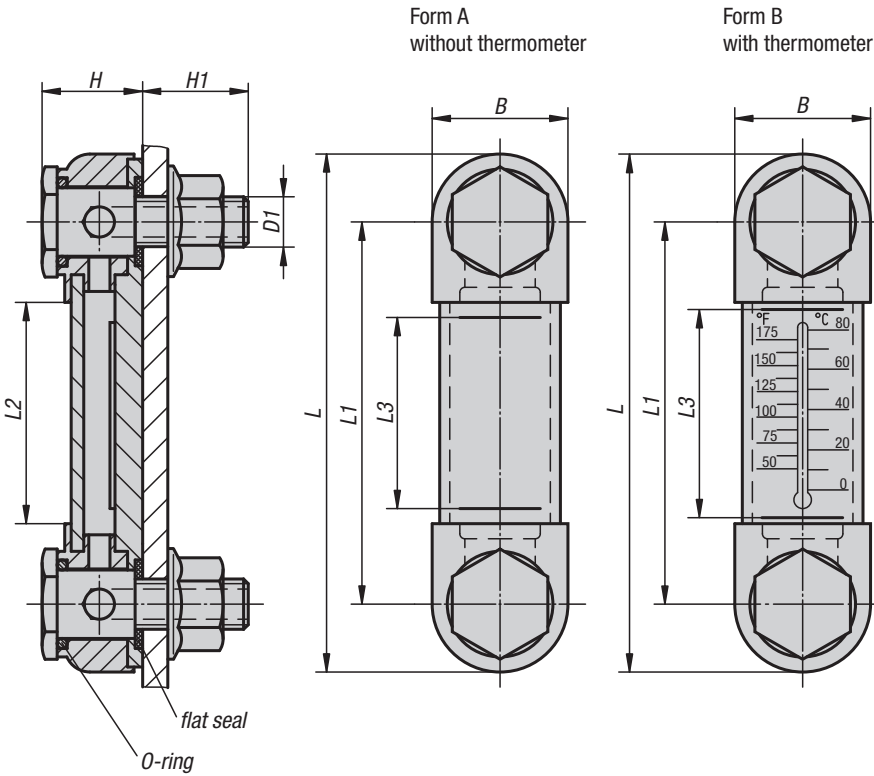


# Level indicators, screw plugs



# Oil level gauges



**Material:**  
Housing thermoplastic polyamide.  
O-ring and flat seal rubber (NBR).  
Reflector aluminium.  
Screw and hex nut steel.

**Version:**  
Transparent housing, high mechanical stability, non-ageing, temperature resistant with oil up to 100 °C, with water up to 70 °C.  
Reflector painted white, markings and scale black.  
Screw and hexagon nut galvanized.

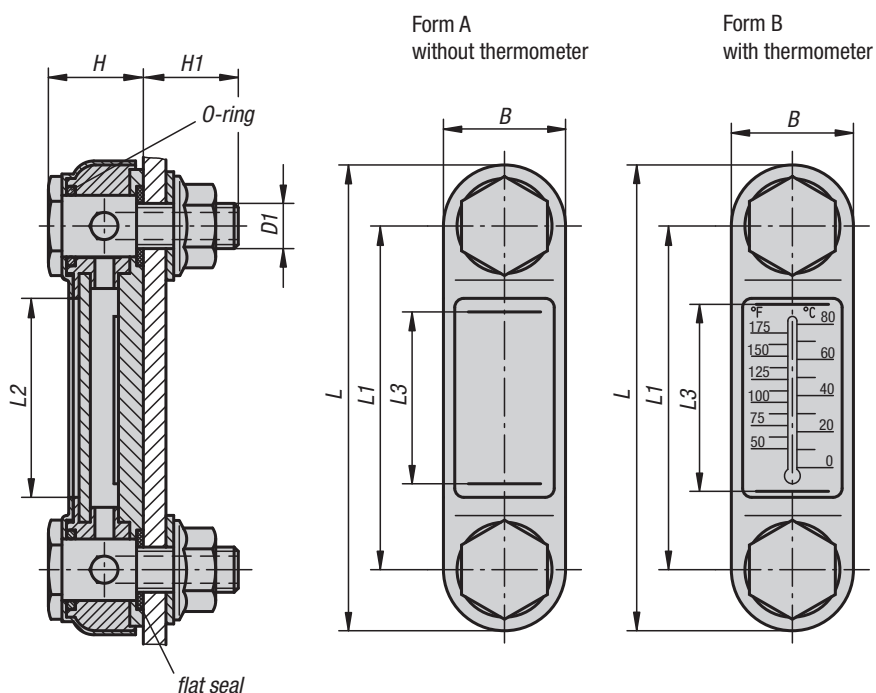
**Sample order:**  
K0443.1127

**Note:**  
The oil level gauges can either be fastened as shown in the illustration or directly in the threaded hole. Centre distance for the fastening holes =  $L1 \pm 0.5$ .

## KIPP Oil level gauges

Order No.	Form	B	D1	H	H1	L	L1	L2	L3	Number of fastening screws	Thermometer scale
K0443.1076	A	27	M10	20	21	103	76	44	37	2	-
K0443.1127	A	27	M12	19	18	151	127	95	80	2	-
K0443.2076	B	27	M10	20	21	103	76	44	37	2	0 - 80 °C / 50 - 175 °F
K0443.2127	B	27	M12	19	18	151	127	95	80	2	0 - 100 °C / 50 - 200 °F

# Oil level gauges

**Material:**

Housing steel.  
Viewing glass thermoplastic polyamide.  
O-ring and flat seal rubber (NBR).  
Reflector aluminium.  
Screw and hex nut steel.

**Version:**

Housing painted black.  
Transparent viewing glass, high mechanical stability, non-ageing, temperature resistant with oil up to 100 °C, with water up to 70 °C.  
Reflector painted white, markings and scale black.  
Screw and hex nut, galvanized.

**Sample order:**

K0444.107610

**Note:**

The oil level gauges can either be fastened as shown in the illustration or directly in the threaded hole.  
Centre distance for the fastening holes =  $L1 \pm 0.5$ .  
The oil level gauges are suitable for tanks operating without pressure.  
Maximum operating temperature: 100 °C.

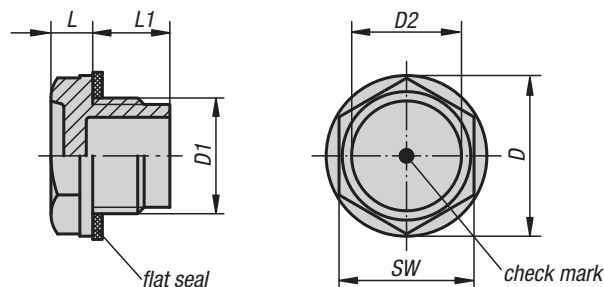
## KIPP Oil level gauges

Order No.	Form	B	D1	H	H1	L	L1	L2	L3	Number of fastening screws	Thermometer scale
K0444.107610	A	31	M10	24,5	20	107	76	39	37	2	-
K0444.107612	A	31	M12	24,5	20	107	76	39	37	2	-
K0444.112710	A	31	M10	24,5	20	156	127	90	80	2	-
K0444.112712	A	31	M12	24,5	20	156	127	90	80	2	-
K0444.125412	A	34	M12	33	17	286	254	200	178	2	-
K0444.207610	B	31	M10	24,5	20	107	76	39	37	2	0 - 80 °C / 50 - 175 °F
K0444.207612	B	31	M12	24,5	20	107	76	39	37	2	0 - 80 °C / 50 - 175 °F
K0444.212710	B	31	M10	24,5	20	156	127	90	80	2	0 - 100 °C / 50 - 200 °F
K0444.212712	B	31	M12	24,5	20	156	127	90	80	2	0 - 100 °C / 50 - 200 °F
K0444.225412	B	34	M12	33	17	286	254	200	178	2	0 - 100 °C / 50 - 200 °F

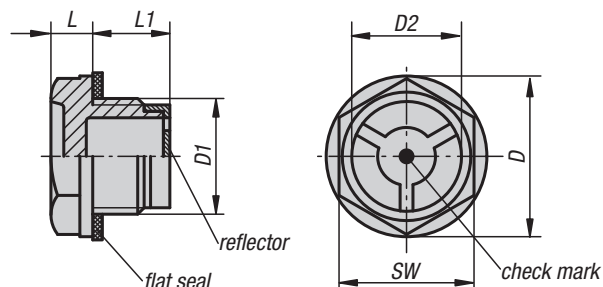
# Oil level sight glasses



Form A  
without reflector



Form B  
with reflector



**Material:**

Housing in thermoplastic polyamide.  
Plastic reflector.

**Version:**

Housing, transparent, high mechanical stability, non-ageing, temperature resistant with oil up to 100 °C, with water up to 70 °C; resistant to solvents but not to alcohol.

Flat seal, asbestos-free. White reflector.

**Sample order:**

K0445.143100

**On request:**

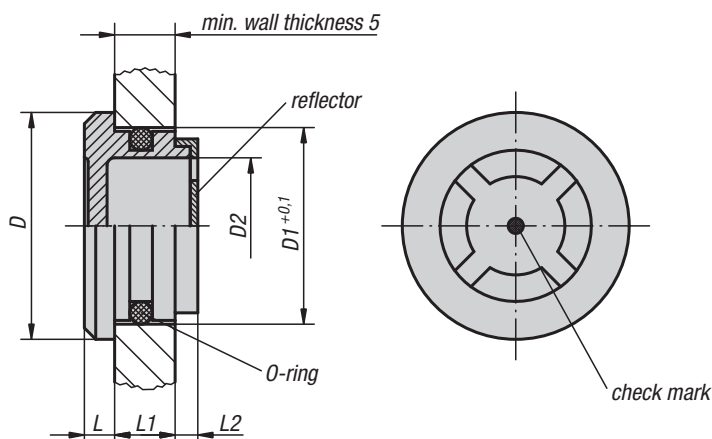
Rubber gasket (NBR).

## KIPP Oil level sight glasses

Order No.	Form	D	D1	D2	L	L1	SW	Tightening torque max. Nm
K0445.120014	A	20	G 1/4	15	7	8	17	6
K0445.122038	A	22	G 3/8	14	6,5	10,5	18	8
K0445.128012	A	28	G 1/2	16	8	11	24	12
K0445.135034	A	35	G 3/4	21	8	12	30	16
K0445.143100	A	43	G 1	32	11	12	36	-
K0445.151114	A	51	G 1 1/4	33	10	16	42	-
K0445.158112	A	58	G 1 1/2	40	12	16	50	-
K0445.174200	A	74	G 2	48	12	22	64	-
K0445.1201415	A	20	M14x1,5	15	7	8	17	7
K0445.1221615	A	22	M16x1,5	14	6,5	10	18	8
K0445.1251815	A	25	M18x1,5	16	7	10,5	21	10
K0445.1282015	A	28	M20x1,5	18	7,5	11	24	16
K0445.1282215	A	28	M22x1,5	16	7,5	12,5	24	12
K0445.1362615	A	36	M26x1,5	21	8,5	13,5	30	21
K0445.1362715	A	36	M27x1,5	21	8,5	13,5	30	21
K0445.1514015	A	51	M40x1,5	32	10	17	42	-
K0445.222038	B	22	G 3/8	14	6,5	10,5	18	8
K0445.228012	B	28	G 1/2	16	8	11	24	12
K0445.235034	B	35	G 3/4	21	8	12	30	16
K0445.243100	B	43	G 1	32	11	12	36	-
K0445.251114	B	51	G 1 1/4	33	10	16	42	-
K0445.258112	B	58	G 1 1/2	40	12	16	50	-
K0445.274200	B	74	G 2	48	12	22	64	-
K0445.2221615	B	22	M16x1,5	14	6,5	10	18	8
K0445.2251815	B	25	M18x1,5	16	7	10,5	21	10
K0445.2282015	B	28	M20x1,5	18	7,5	11	24	16
K0445.2282215	B	28	M22x1,5	16	7,5	12,5	24	12
K0445.2362615	B	36	M26x1,5	21	8,5	13,5	30	21
K0445.2362715	B	36	M27x1,5	21	8,5	13,5	30	21
K0445.2514015	B	51	M40x1,5	32	10	17	42	-

# Oil level sight glasses

press-in



**Material:**

Housing in thermoplastic polyamide.  
O-ring in rubber (NBR).  
Plastic reflector.

**Version:**

Housing, transparent, high mechanical stability, non-ageing, temperature resistant with oil up to 100 °C, with water up to 70 °C; resistant to solvents but not to alcohol.  
White reflector.

**Sample order:**

K0446.3026

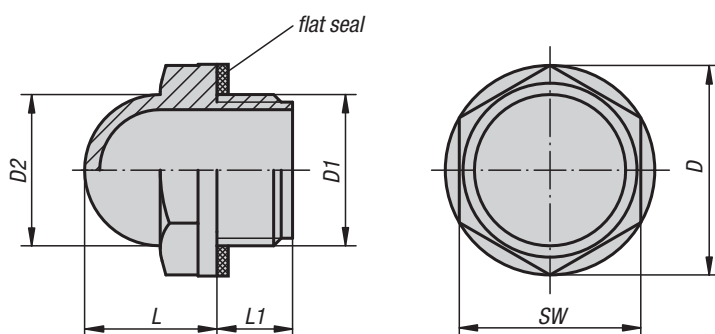
## KIPP Oil level sight glasses, press-in

Order No.	D	drill-Ø D1	D2	L	L1	L2
K0446.2420	24	20	14	4	7	3
K0446.3026	30	26	20	4	8	3,5
K0446.3632	36	32	24	4	9	4
K0446.4238	42	38	30	4	10	4
K0446.4440	44	40	32	4	10	4

# K0447

# Oil level sight glasses

domed



**Material:**

Housing in thermoplastic polyamide.

**Version:**

Housing, transparent, high mechanical stability, non-ageing, temperature resistant with oil up to 100 °C, with water up to 70 °C; resistant to solvents but not to alcohol.  
Flat seal, asbestos-free.

**Sample order:**

K0447.28012

**On request:**

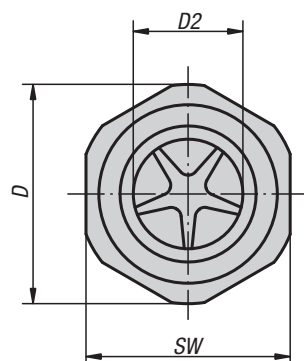
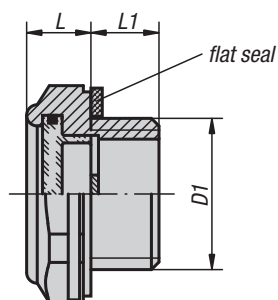
Rubber gasket (NBR).

## KIPP Oil level sight glasses, domed

Order No.	D	D1	D2	L	L1	SW	Tightening torque max. Nm
K0447.22038	22	G 3/8	15	14	10	19	8
K0447.28012	28	G 1/2	20	17	10	24	12
K0447.35034	35	G 3/4	25	20	10	30	16
K0447.42100	42	G 1	31	24	10,5	36	20

# Oil level sight glasses

aluminium



**Material:**

Housing in aluminium.  
Reflector in aluminium or white plastic.  
Polyamide viewing lens.

**Version:**

Transparent viewing lens, temperature-resistant with oil up to 100 °C, with water up to 70 °C.  
Flat seal, asbestos-free.

**Sample order:**

K0448.29012

**Note:**

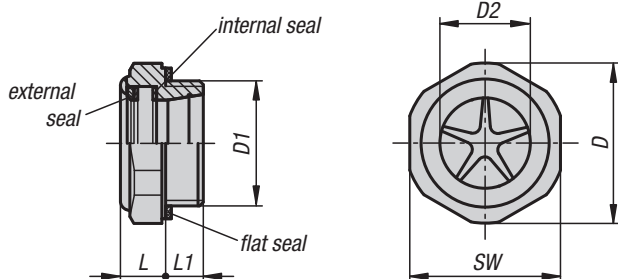
With versions G3/8 and M18x1,5 the reflector is made in white plastic.

## KIPP Oil level sight glasses, aluminium

Order No.	D	D1	D2	L	L1	SW	Tightening torque max. Nm	Pressure load max. bar
K0448.20014	20	G 1/4	11	8	8	17	9	10
K0448.24038	24,1	G 3/8	12,7	9,5	9	22	12	10
K0448.29012	29,7	G 1/2	15	10	9	27	18	10
K0448.36034	35,2	G 3/4	21,9	10	11	32	24	10
K0448.42100	44,1	G 1	25,1	11	11	40	-	10
K0448.52114	55	G1 1/4	34	13,5	12	50	-	10
K0448.241815	24,5	M18x1,5	13	10	9	22	12	10
K0448.292215	29,5	M22x1,5	16	10	9	27	18	10

# Oil level sight glasses

aluminium, glass window



**Material:**

Housing, reflector in aluminium.  
 Natural, clear glass viewing lens.  
 Internal seal, Viton®.

**Version:**

Viewing lens, temperature-resistant to 150 °C.  
 Flat seal, asbestos-free.

**Sample order:**

K0246.29012

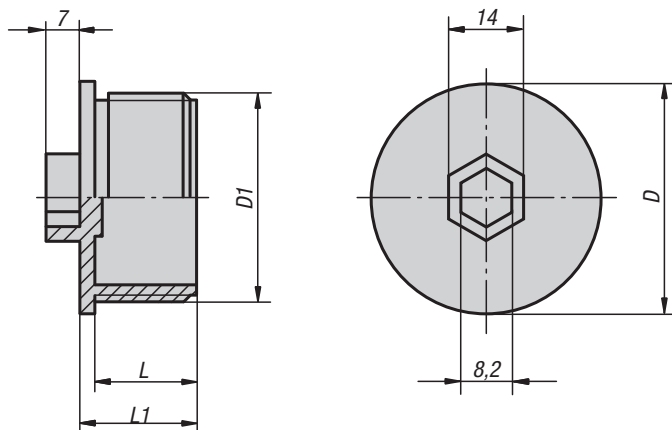
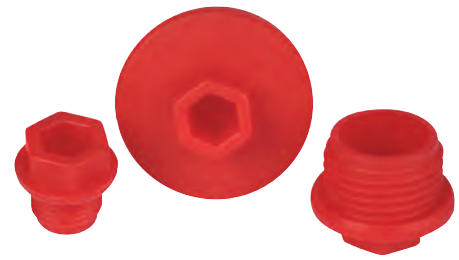
**Note:**

Resists high pressure and heat. Natural glass as the viewing lens ensures optimal light transmission and high surface hardness.

## KIPP Oil level sight glasses, aluminium, glass window

Order No.	D	D1	D2	L	L1	SW	Tightening torque max. Nm	Pressure load max. bar
K0246.29012	29,5	G 1/2	12	10	9	27	18	20
K0246.34034	34,5	G 3/4	16	12	10	32	24	20
K0246.42100	42,5	G 1	23	12	10	40	-	20
K0246.292015	29,5	M20x1,5	12	10	9	27	18	20
K0246.423315	42,5	M33x1,5	23	12	10	40	-	20

# Plugs to screw-in

**Material:**

Elastomer, soft polyurethane

**Version:**

Red

**Sample order:**

K0449.038

**Note:**

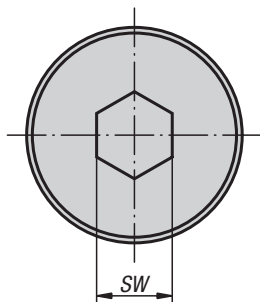
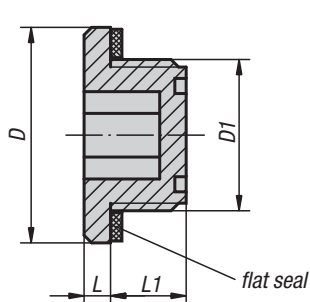
The double-lip seal guarantees a seal for pressures of 2-3 bar. It also keeps paint out during painting.

## KIPP Plugs to screw-in

Order No.	D	D1	L	L1
K0449.018	16,2	G 1/8	8	10
K0449.014	18,1	G 1/4	9,9	12,5
K0449.038	21	G 3/8	9	11
K0449.012	25,2	G 1/2	11	14
K0449.034	31,3	G 3/4	11,5	14
K0449.100	36	G 1	12	15,5



## Plugs to screw-in



**Material:**

Thermoplastic polyamide 66

**Version:**

Black. Flat seal asbestos-free

**Sample order:**

K0450.22038

**Note:**

Temperature resistant:  
oil up to 100 °C  
water up to 70 °C.

**On request:**

O-ring or materials with higher stability.

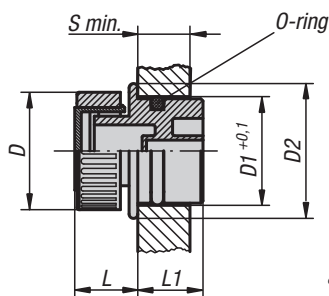
### KIPP Plugs to screw-in

Order No.	D	D1	L	L1	SW	Tightening torque max. Nm
K0450.18014	18,2	G 1/4	2,5	8	6	3
K0450.22038	22,5	G 3/8	3,5	10,5	8	6
K0450.28012	28,5	G 1/2	3,5	10,5	10	8
K0450.35034	35	G 3/4	4	10,5	12	10
K0450.201415	20	M14x1,5	2,5	8	6	3
K0450.221615	22,5	M16x1,5	3,5	11	8	6
K0450.261815	26	M18x1,5	3	10	10	7
K0450.282015	28,5	M20x1,5	3	11	10	7
K0450.282215	28,5	M22x1,5	3,5	10,5	10	7
K0450.352615	35	M26x1,5	3	12	12	10

## K0451

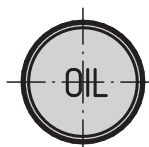
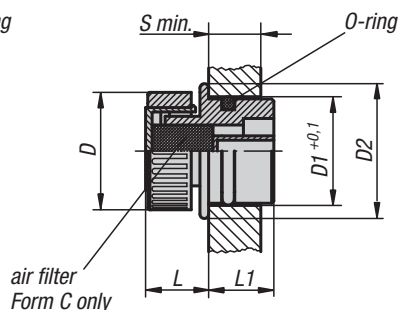
## Plugs to press-in

Form A  
without vent



Form B  
with vent

Form C  
with vent and air filter



**Material:**

Housing and cap thermoplastic polyamide 66.  
Air filter polyurethane (PU foam).  
O-ring rubber (NBR).

**Version:**

Housing black.  
Cap red.  
Filter mesh 50 µm.

**Sample order:**

K0451.33030

**Note:**

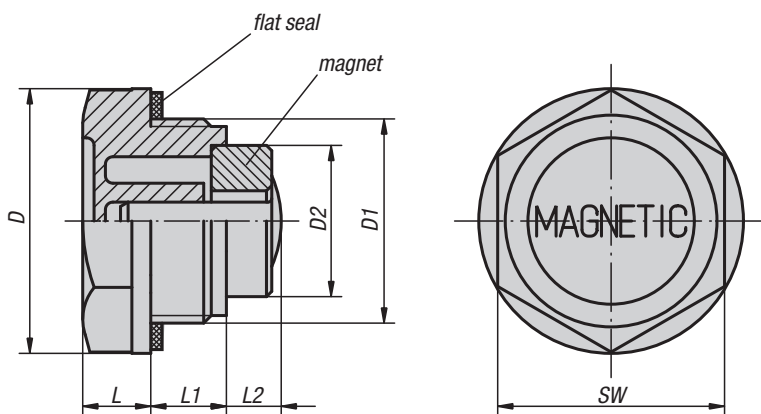
Temperature resistant:  
oil up to 100 °C  
water up to 70 °C.

### KIPP Plugs to press-in

Order No. Form A	Order No. Form B	Order No. Form C	D	drill-Ø D1	D2	L	L1	S min.
K0451.13018	K0451.23018	K0451.33018	30	18	23	14	14	8
K0451.13020	K0451.23020	K0451.33020	30	20	24	14	15,5	8
K0451.13026	K0451.23026	K0451.33026	30	26	30	14	16,5	9,5
K0451.13030	K0451.23030	K0451.33030	30	30	34	14	17	9,5

# Plugs magnetic

plastic



**Material:**

Thermoplastic polyamide 66.  
Ferrite permanent magnet.

**Version:**

Black. Flat seal asbestos-free

**Sample order:**

K0452.22038

**Note:**

Temperature resistant:  
oil up to 100 °C  
water up to 70 °C.

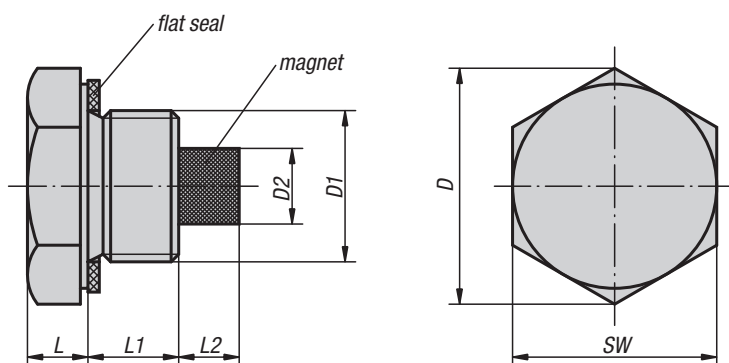
## KIPP Plugs magnetic, plastic

Order No.	D	D1	D2	L	L1	L2	SW
K0452.20014	20	G 1/4	8	7	9	5	17
K0452.22038	22	G 3/8	13	7,5	10	10	18
K0452.27012	27	G 1/2	13	8	11	9	24
K0452.34034	34	G 3/4	19,6	9	11	6,5	30
K0452.42100	42	G 1	19,6	10,5	12	14	35
K0452.201415	20	M14x1,5	8	7	9	5	17

# K0453

# Plugs magnetic

aluminium



**Material:**

Aluminium.  
Ferrite permanent magnet.

**Version:**

Bright. Flat seal asbestos-free.

**Sample order:**

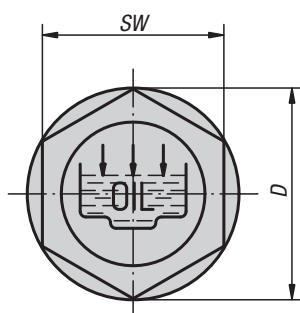
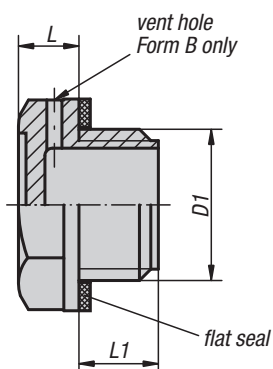
K0453.24038

## KIPP Plugs magnetic, aluminium

Order No.	D	D1	D2	L	L1	L2	SW
K0453.21014	21	G 1/4	5	7	10	6	19
K0453.24038	24,5	G 3/8	8	7	10	7	22
K0453.30012	30	G 1/2	10	8	10	7	27
K0453.36034	36,5	G 3/4	13	8	10	7	34
K0453.42100	42,5	G 1	13	8	14	7	40

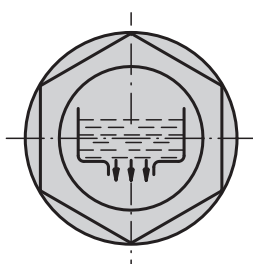
# Plugs fill and drain

hexagon cap



Form A  
with fill symbol

Form B  
with fill symbol and  
vent hole



Form C  
with drain symbol

**Material:**

Thermoplastic polyamide 66

**Version:**

Black. Flat seal asbestos-free

**Sample order:**

K0454.142100

**Note:**

Temperature resistant:  
oil up to 100 °C  
water up to 70 °C.

## KIPP Plugs fill and drain, hexagon cap

Order No. Form A	Order No. Form B	Order No. Form C	D	D1	L	L1	SW	Tightening torque max. Nm
K0454.119014	K0454.219014	K0454.319014	19,5	G 1/4	7	9	17	5
K0454.122038	K0454.222038	K0454.322038	22	G 3/8	7,5	10	18	8
K0454.128012	K0454.228012	K0454.328012	28	G 1/2	7,5	11	24	9
K0454.134034	K0454.234034	K0454.334034	34	G 3/4	9	11	30	11
K0454.142100	K0454.242100	K0454.342100	42	G 1	10,5	12	35	-
K0454.151114	K0454.251114	K0454.351114	51	G 1 1/4	12	13,5	42	-
K0454.158112	K0454.258112	K0454.358112	58	G 1 1/2	10	14,5	50	-
K0454.174200	K0454.274200	K0454.374200	74	G 2	13,5	16	64	-
K0454.1191415	K0454.2191415	K0454.3191415	19,5	M14x1,5	7	9	17	5
K0454.1211615	K0454.2211615	K0454.3211615	21	M16x1,5	7,5	10	18	6
K0454.1261815	K0454.2261815	K0454.3261815	26	M18x1,5	7,5	10	21	7
K0454.1282015	K0454.2282015	K0454.3282015	28	M20x1,5	8	10	24	8
K0454.1282215	K0454.2282215	K0454.3282215	28	M22x1,5	8	11	24	10
K0454.1524015	K0454.2524015	K0454.3524015	52	M40x1,5	10	13	42	-

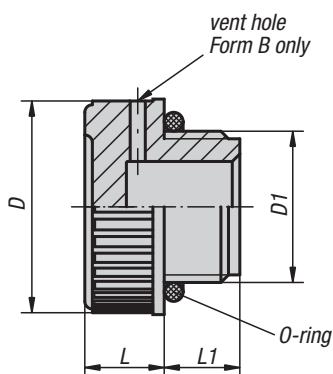
# Plugs fill

knurled cap



Form A  
with fill symbol

Form B  
with fill symbol and  
vent hole



**Material:**  
Thermoplastic polyamide 66;  
O-ring in rubber (NBR)

**Version:**  
black.

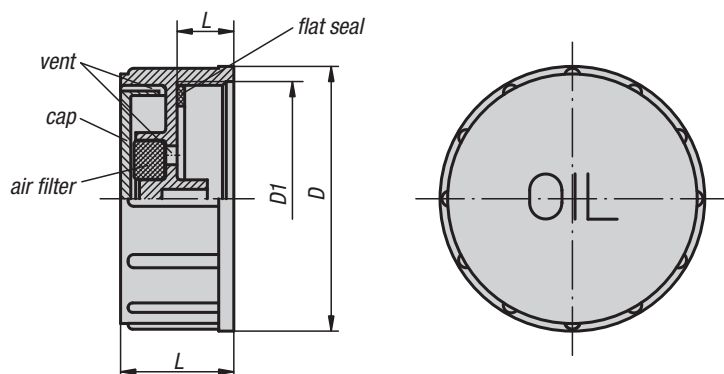
**Sample order:**  
K0455.128012

**Note:**  
Temperature resistant:  
oil up to 100 °C  
water up to 70 °C.

## KIPP Plugs fill, knurled cap

Order No.	Form	D	D1	L	L1
K0455.120014	A	20	G 1/4	9	9
K0455.120038	A	20,5	G 3/8	9	10
K0455.128012	A	28	G 1/2	10,5	10,5
K0455.131034	A	31	G 3/4	12	11
K0455.139100	A	39	G 1	12	12
K0455.149114	A	49	G 1 1/4	13	13,5
K0455.155112	A	55	G 1 1/2	14,7	14,5
K0455.168200	A	68,5	G 2	15	16
K0455.1201415	A	20	M14x1,5	9	9
K0455.1201615	A	20	M16x1,5	9	10
K0455.1281815	A	28	M18x1,5	10,5	10
K0455.1282015	A	28	M20x1,5	10,5	10
K0455.1282215	A	28	M22x1,5	10,5	10
K0455.220014	B	20	G 1/4	9	9
K0455.220038	B	20,5	G 3/8	9	10
K0455.228012	B	28	G 1/2	10,5	10,5
K0455.231034	B	31	G 3/4	12	11
K0455.239100	B	39	G 1	12	12
K0455.249114	B	49	G 1 1/4	13	13,5
K0455.255112	B	55	G 1 1/2	14,7	14,5
K0455.268200	B	68,5	G 2	15	16
K0455.2201415	B	20	M14x1,5	9	9
K0455.2201615	B	20	M16x1,5	9	10
K0455.2281815	B	28	M18x1,5	10,5	10
K0455.2282015	B	28	M20x1,5	10,5	10
K0455.2282215	B	28	M22x1,5	10,5	10

# Caps for filler necks

**Material:**

Housing, cap in thermoplastic polyamide 66.  
Air filter in polyurethane (PU foam).  
Rubber flat seal (NBR).

**Version:**

Black housing.  
Red cap.  
Filter mesh 50 µm.

**Sample order:**

K0456.67200

**Note:**

Temperature resistant:  
oil up to 100 °C  
water up to 70 °C.

**On request:**

Cap in yellow for diesel oil.

## KIPP Caps for filler necks

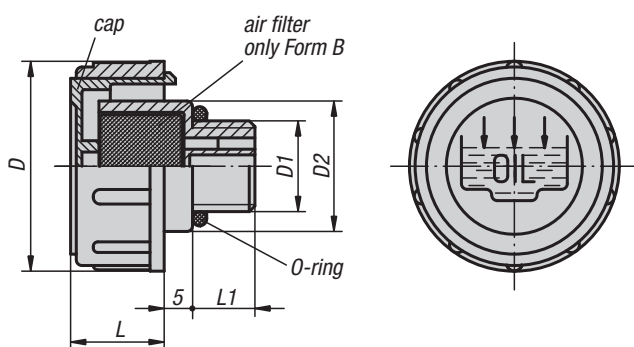
Order No.	D	D1	L	L1
K0456.67200	67,5	G 2	30	15
K0456.676020	67,5	M60x2	30	15

## K0457

# Vent screws

Form A  
without air filter

Form B  
with air filter

**Material:**

Housing, cap in thermoplastic polyamide 66.  
Air filter (Form B only) in polyurethane (PU foam).  
O-ring in rubber (NBR).

**Version:**

Black housing.  
Red cap.  
Filter mesh 60 µm.

**Sample order:**

K0457.147034

**Note:**

Temperature resistant:  
oil up to 100 °C  
water up to 70 °C.  
The removable cap allows easy cleaning of the air filter.

## KIPP Vent screws

Order No. Form A	Order No. Form B	D	D1	D2	L	L1
K0457.136038	K0457.236038	36	G 3/8	23	17	11
K0457.141012	K0457.241012	41	G 1/2	28	18	12
K0457.147034	K0457.247034	47	G 3/4	33	17	12
K0457.152100	K0457.252100	52	G 1	38	20	12
K0457.163114	K0457.263114	63	G 1 1/4	49	23	13
K0457.163112	K0457.263112	63	G 1 1/2	55	23	13,5
K0457.1361615	K0457.2361615	36	M16x1,5	23	17	11
K0457.1411815	K0457.2411815	41	M18x1,5	28	17,5	12
K0457.1412015	K0457.2412015	41	M20x1,5	28	17,5	12
K0457.1412215	K0457.2412215	41	M22x1,5	28	17,5	12

# Vent screws

with splash guard



**Material:**

Housing, cap in thermoplastic polyamide 66.  
Air filter in polyurethane (PU foam).  
Rubber flat seal (NBR).

**Version:**

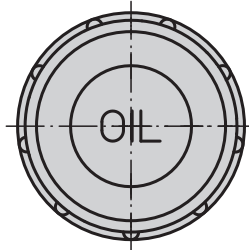
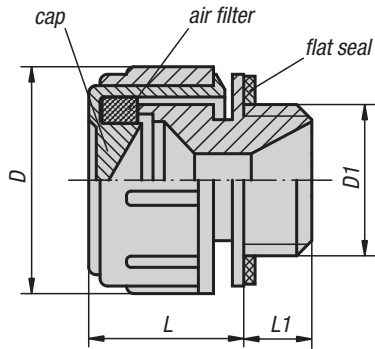
Black housing.  
Red cap.  
Filter mesh 50 µm.

**Sample order:**

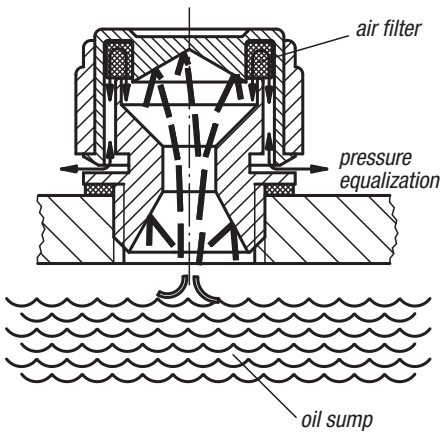
K0458.30038

**Note:**

Temperature resistant:  
oil up to 100 °C  
water up to 70 °C.



**splash guard**



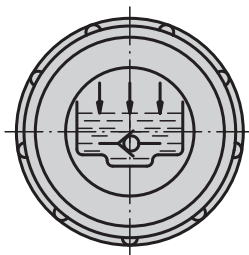
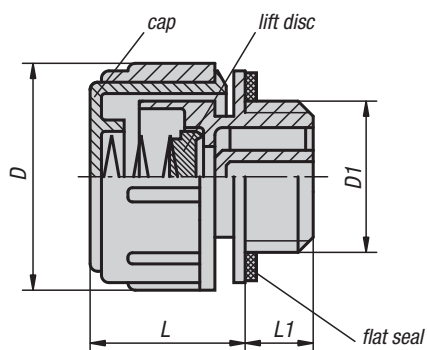
Gears partly immersed in an oil sump create an oil spray that may cause oil to leak from the vent cap. To avoid this the screw has been fitted with a splash guard. Only a small part of the oil spray can pass through the lower tapered bore. The oil that does reach the cap underside is redirected in such a way that it does not notably hinder the venting process.

**KIPP Vent screws with splash guard**

Order No.	D	D1	L	L1
K0458.30014	30	G 1/4	21	10
K0458.30038	30	G 3/8	21	10
K0458.30012	30	G 1/2	21	10

# Vent screws

with check valve



### Material:

Housing and cap thermoplastic polyamide 66.  
Spring stainless steel.  
Lift disc and flat seal rubber (NBR).

### Version:

Housing black.  
Cap red.

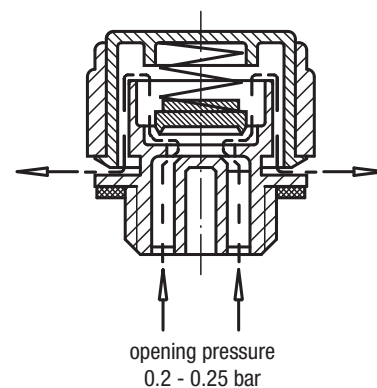
### Sample order:

K0459.30014

### Note:

Temperature resistant:  
oil up to 100 °C  
water up to 70 °C.  
Opening pressure 0.20 – 0.25 bar.

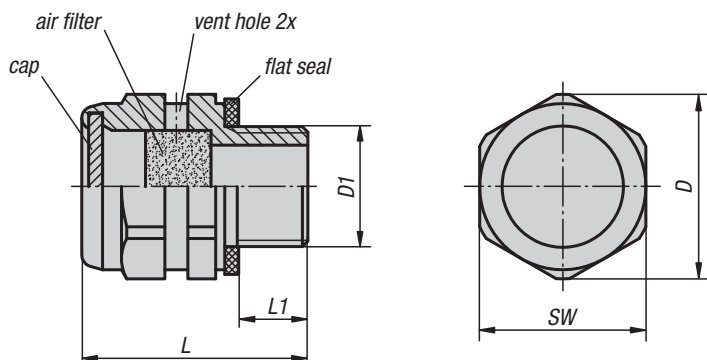
### Operating principle



## KIPP Vent screws with check valve

Order No.	D	D1	L	L1
K0459.30014	30	G 1/4	21	10
K0459.30038	30	G 3/8	21	10
K0459.30012	30	G 1/2	21	10

## Vent screws brass



**Material:**  
Housing and cap brass.  
Air filter galvanized steel wire mesh.

**Version:**  
Air filter mesh 50 - 60  $\mu\text{m}$ .  
Flat seal asbestos-free.

**Sample order:**  
K0460.20014

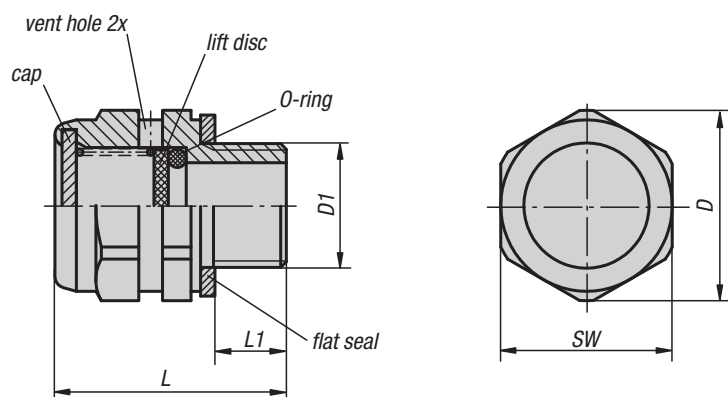
### KIPP Vent screws brass

Order No.	D	D1	L	L1	SW
K0460.20014	20	G 1/4	24,5	7,5	18
K0460.24038	24,5	G 3/8	24,5	8,5	22
K0460.30012	30	G 1/2	24,5	8,5	27

## K0461

## Vent screws brass

with check valve



**Material:**  
Housing and cap brass.  
Spring stainless steel.  
Lift disc aluminium.  
O-ring rubber (NBR).

**Version:**  
Flat seal asbestos-free.

**Sample order:**  
K0461.20014

**Note:**  
Opening pressure 0.3 bar ( $\pm 0.1$ ).

**Functional principle:**  
See K0459 vent screws with check valve.

### KIPP Vent screws brass with check valve

Order No.	D	D1	L	L1	SW
K0461.20014	20	G 1/4	24,3	7,5	18
K0461.24038	24,5	G 3/8	24,5	8,5	22
K0461.30012	30	G 1/2	24,5	8,5	27

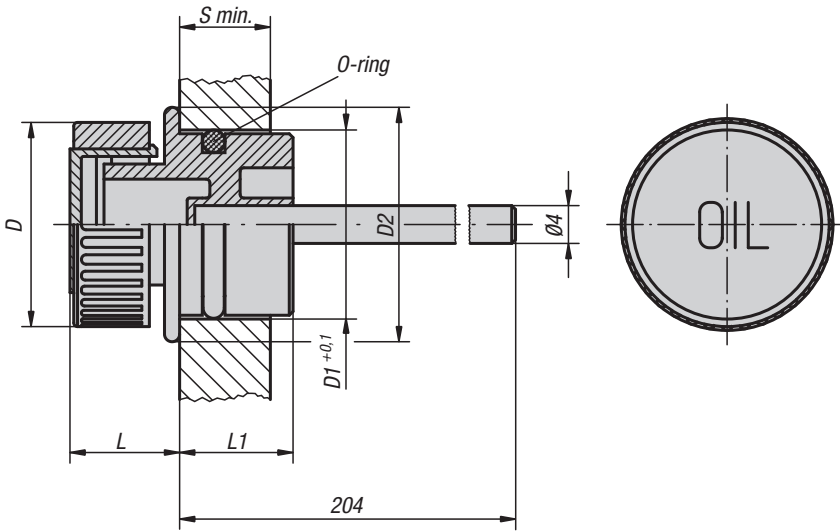


# Plugs to press-in

with dipstick



Form A  
without vent



**Material:**

Housing and cap thermoplastic polyamide 66.  
Air filter polyurethane (PU foam).  
Dipstick zinc.  
O-ring rubber (NBR).

**Version:**

Housing black.  
Cap red.  
Filter mesh 50 µm.  
Dipstick phosphated.

**Sample order:**

K0462.13018

**Note:**

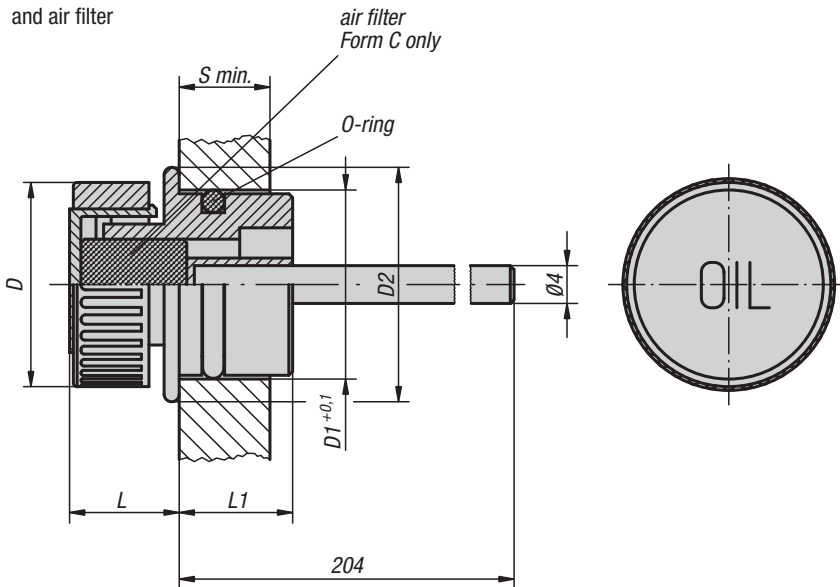
Temperature resistant:  
oil up to 100 °C  
water up to 70 °C.

**On request:**

Min-Max increments.

Form B  
with vent

Form C  
with vent  
and air filter



## KIPP Plugs to press-in with dipstick

Order No. Form A	Order No. Form B	Order No. Form C	D	drill-Ø D1	D2	L	L1	S min.
K0462.13018	K0462.23018	K0462.33018	30	18	23	14	14	8



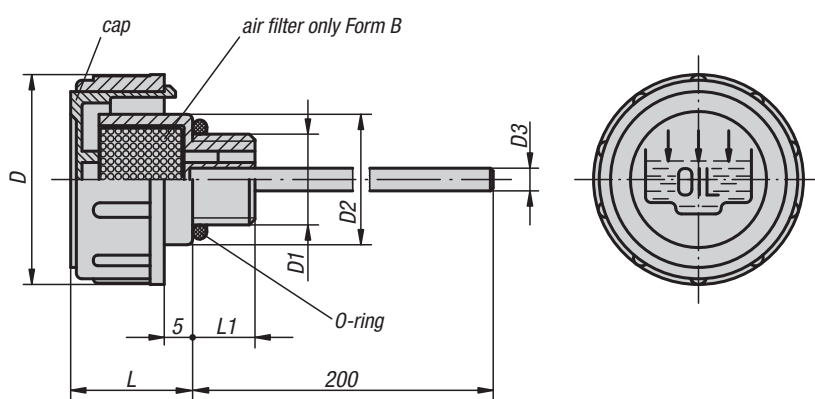
# Vent screws

with dipstick



Form A  
without air filter

Form B  
with air filter



**Material:**

Housing and cap thermoplastic polyamide 66.

Air filter polyurethane (PU foam).

Dipstick zinc.

O-ring rubber (NBR).

**Version:**

Housing black.

Cap red.

Filter mesh 50 µm.

Dipstick phosphated.

**Sample order:**

K0465.141012

**Note:**

Temperature resistant:

oil up to 100 °C

water up to 70 °C.

The removable cap allows easy cleaning of the air filter.

**On request:**

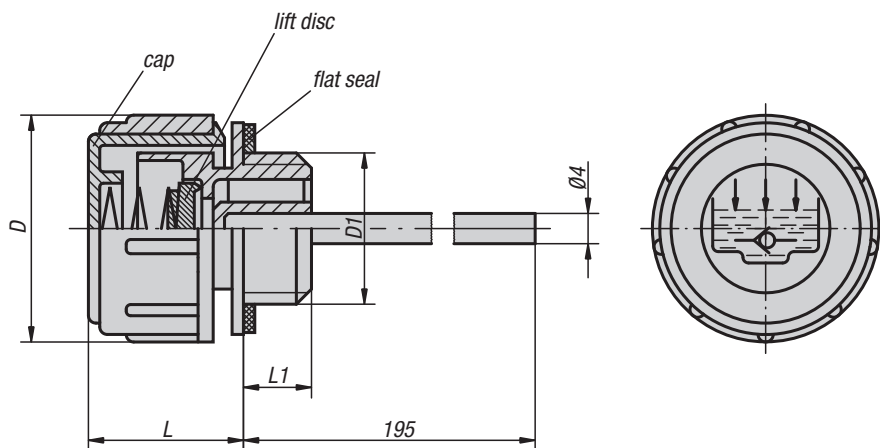
Min-Max increments.

## KIPP Vent screws with dipstick

Order No.	Form	D	D1	D2	D3	L	L1
K0465.136038	A	36	G 3/8	23	4	17	11
K0465.141012	A	41	G 1/2	28	4	18	12
K0465.147034	A	47	G 3/4	33	5	17	12
K0465.152100	A	52	G 1	38	5	20	12
K0465.163114	A	63	G 1 1/4	49	5	23	13
K0465.163112	A	63	G 1 1/2	55	5	23	13,5
K0465.1361615	A	36	M16x1,5	23	4	17	11
K0465.1411815	A	41	M18x1,5	28	4	17,5	12
K0465.1412015	A	41	M20x1,5	28	4	17,5	12
K0465.1412215	A	41	M22x1,5	28	4	17,5	12
K0465.236038	B	36	G 3/8	23	4	17	11
K0465.241012	B	41	G 1/2	28	4	18	12
K0465.247034	B	47	G 3/4	33	5	17	12
K0465.252100	B	52	G 1	38	5	20	12
K0465.263114	B	63	G 1 1/4	49	5	23	13
K0465.263112	B	63	G 1 1/2	55	5	23	13,5
K0465.2361615	B	36	M16x1,5	23	4	17	11
K0465.2411815	B	41	M18x1,5	28	4	17,5	12
K0465.2412015	B	41	M20x1,5	28	4	17,5	12
K0465.2412215	B	41	M22x1,5	28	4	17,5	12

# Vent screws

with check valve and dipstick



### Material:

Housing and cap thermoplastic polyamide.  
Spring stainless steel.  
Dipstick zinc.  
Lift disc and seal rubber (NBR).

### Version:

Housing black.  
Cap red.  
Dipstick phosphated.

### Sample order:

K0467.30038

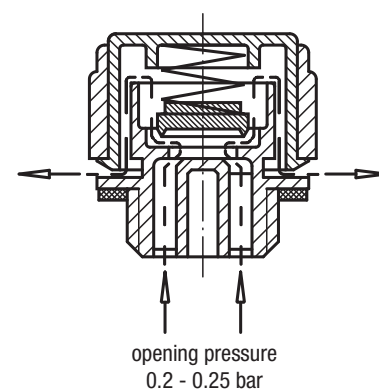
### Note:

Temperature resistant:  
oil up to 100 °C  
water up to 70 °C.  
Opening pressure 0.20 – 0.25 bar.

### On request:

Min-Max increments.

### Operating principle



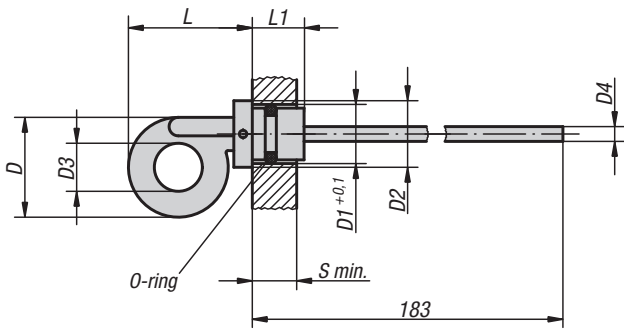
## KIPP Vent screws with check valve and dipstick

Order No.	D	D1	L	L1
K0467.30038	30	G 3/8	21	10
K0467.30012	30	G 1/2	21	10

# Dipsticks

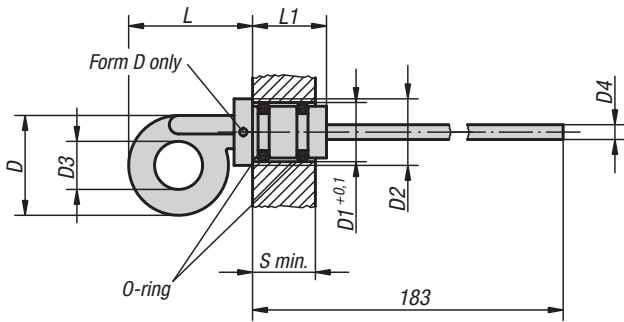


Form B  
with vent hole



Form C  
without vent hole

Form D  
with vent hole



**Material:**  
Thermoplastic polyamide handle.  
Zinc dipstick.  
O-ring in rubber (NBR).

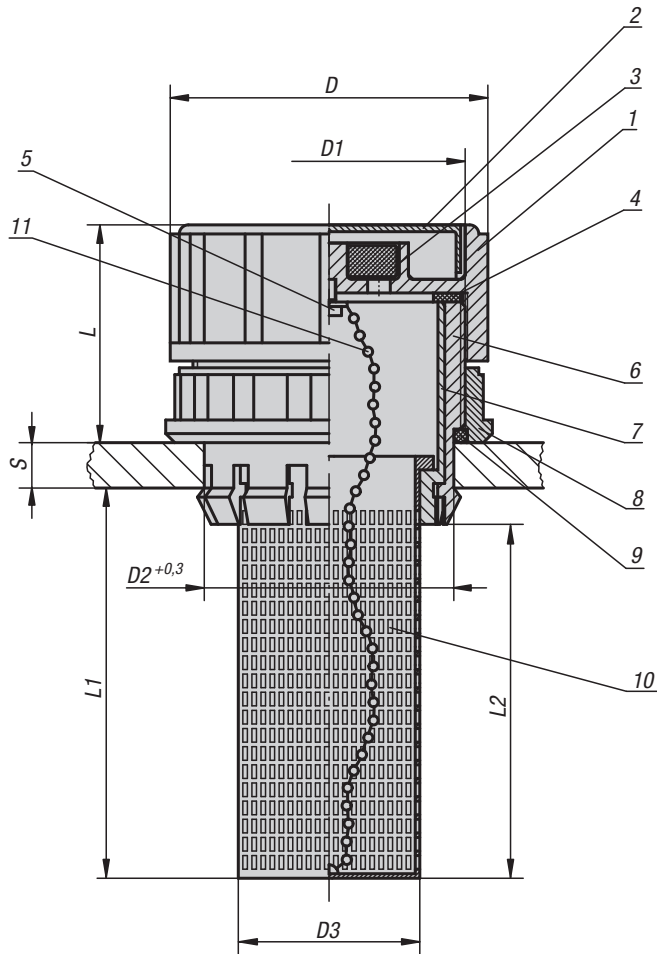
**Version:**  
Black handle.  
Dipstick, phosphated.

**Sample order:**  
K0468.23218

## KIPP Dipsticks

Order No.	Form	D	drill-Ø D1	D2	D3	D4 Ø	L	L1	S min.
K0468.22714	B	27	14	18	13	4	34	13	10
K0468.23218	B	32	18	24	14	5	45	17	9
K0468.23220	B	32	20	24	14	5	44,5	18	10
K0468.32714	C	27	14	18	13	4	34	20	17
K0468.33012	C	27	12	18	14	4	36	20	16
K0468.33318	C	33	18	24	14	5	44	21	17,5
K0468.33520	C	35	20	24	16	5	46	21	17,5
K0468.42714	D	27	14	18	13	4	34	20	17
K0468.43318	D	33	18	24	14	5	44	21	17,5

# Filler necks



**Material, version:**

- 1. Filler housing black thermoplastic polyamide 66
- 2. Filler cap red thermoplastic polyamide 66
- 3. Air filter polyurethane (PU foam), filter mesh 50 µm
- 4. Flat seal rubber (NBR)
- 5. Fastening screw nickel-plated steel
- 6. Press-in collar black thermoplastic polyamide 66
- 7. Stop bush black thermoplastic polyamide 66
- 8. Fastening nut black thermoplastic polyamide 66
- 9. O-ring rubber (NBR)
- 10. Filler sieve black thermoplastic polypropylene
- 11. Chain nickel-plated brass

**Sample order:**

K0470.706020

**Note:**

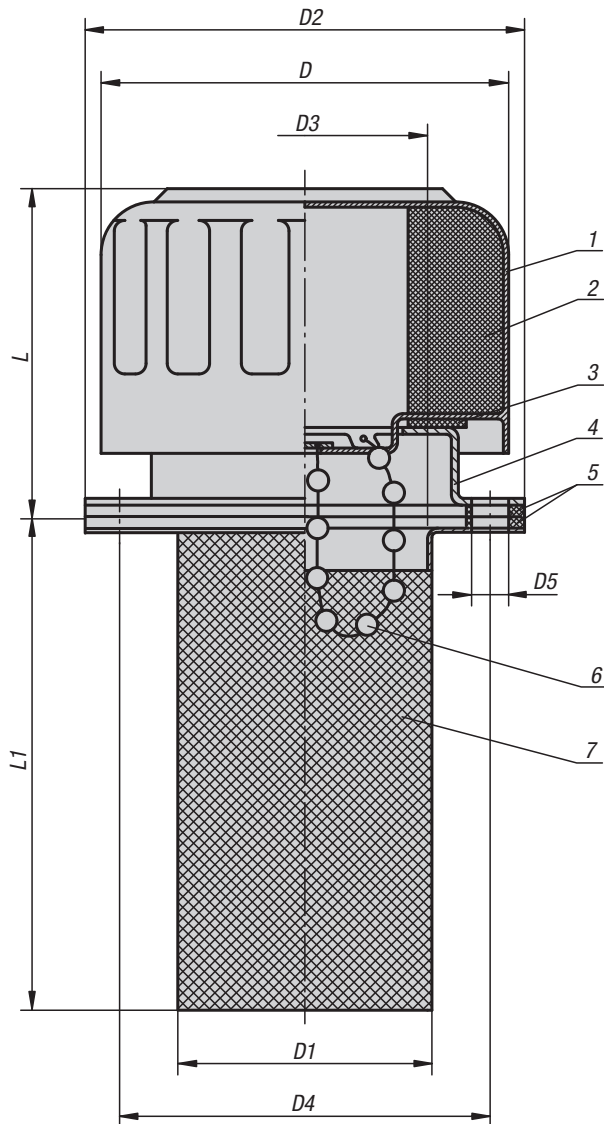
Temperature resistant up to 90 °C.

**KIPP Filler necks**

Order No.	D	D1	D2	D3	L	L1	L2	S
K0470.706020	70	M60x2	55	38	46,5	88	80	2 - 8



# Filler necks


**Material, version:**

1. Filler housing chrome steel
2. Air filter polyurethane (PU foam), filter mesh 40 µm.  
Flow rate up to 720 l/min
3. Flat seal cork
4. Mounting flange with fastening screws, bayonet fitting
5. Flat seal cork
6. Chain nickel-plated brass
7. Filler sieve galvanized steel

**Sample order:**

K0471.45

**Note:**

The filler necks are supplied with seals and M5 fastening screws.

Not suitable for water tanks.

**KIPP Filler necks**

Order No.	Version	D	D1	D2	D3	D4	D5	L	L1
K0471.45	without chain	46,5	27,5	52	25	41,3	6 (3x)	43	66
K0471.77	with chain	80	49	83	44	71,5	6 (6x)	57	80

# Notes

