

## Telescopic slides, steel for slot mounting, partial extension, load capacity up to 10 kg

Item description/product images



### Description

**Material:**

Steel slides.  
Plastic ball cages.  
C-steel balls.

**Version:**

Slides galvanized.  
Balls hardened.

**Note for ordering:**

Supplied in pairs

**Note:**

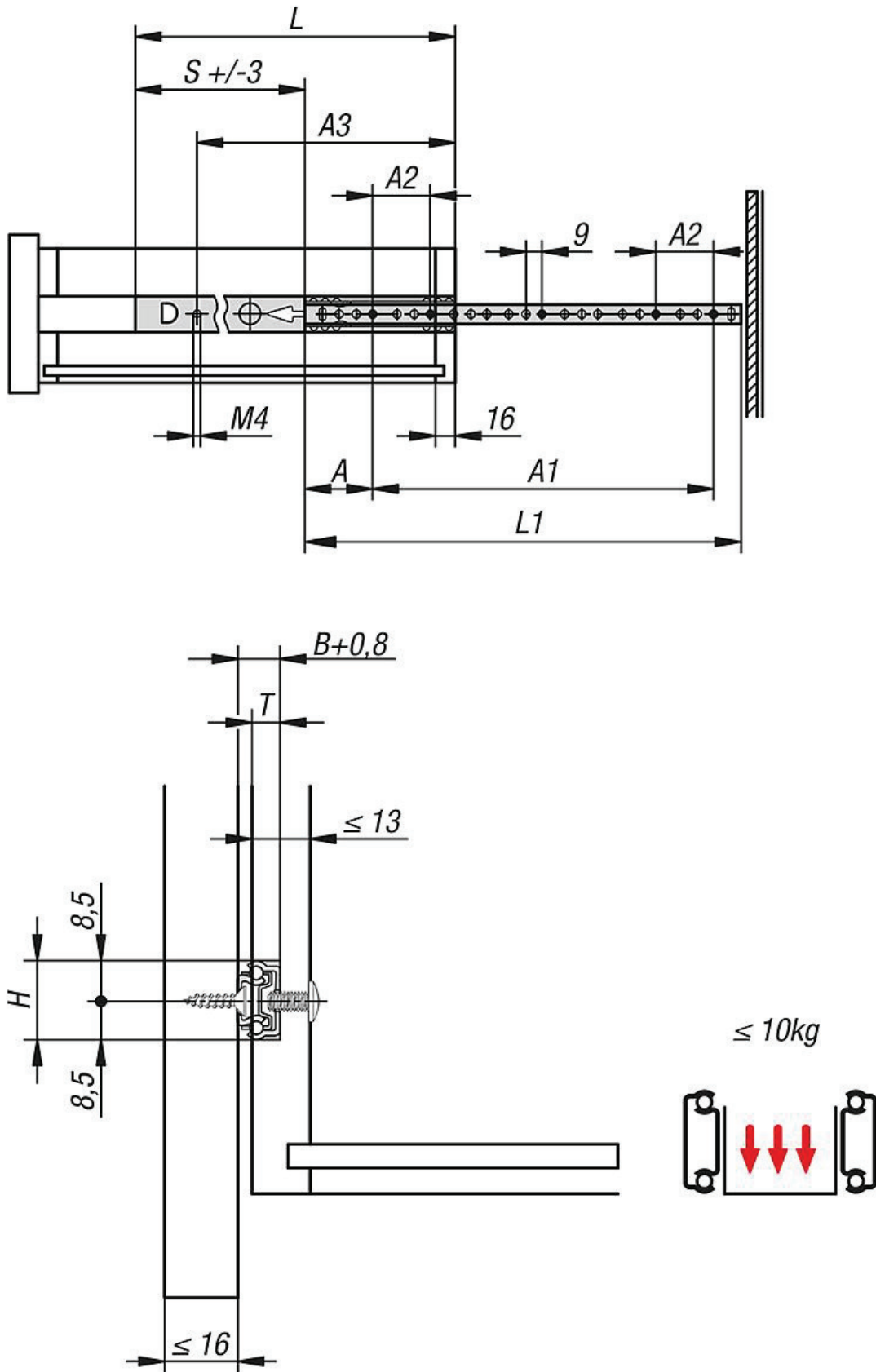
On telescopic slides with partial extension, the travel is less than the installed length. These are a low-cost solution for guiding drawers or similar items with little friction and high lateral stability. Interlocking in closed position. The dynamic load capacity of the telescopic slides indicates the maximum load rating of a vertically mounted slide pair when the entire extension length is used. The specified load capacities refer to the maximum value for 20,000 cycles.

**Note:**

The load capacity of all telescopic slides is tested to DIN EN 15338 Level 1.

**Telescopic slides, steel for slot mounting, partial extension, load capacity up to 10 kg**

Drawings



## Telescopic slides, steel for slot mounting, partial extension, load capacity up to 10 kg

### Overview of items

Order No.	A	A2	A3	B	H	L	L1	Travel S	T = slot depth	Loading per pair kg	Drawer depth from - to
<b>K1566.0133</b>	37	32	101	10	17	133	150	85	6-7	10	155 - 210
<b>K1566.0164</b>	37	32	132	10	17	164	182	104	6-7	10	185 - 260
<b>K1566.0185</b>	37	32	153	10	17	185	182	125	6-7	10	185 - 305
<b>K1566.0210</b>	37	32	178	10	17	210	214	138	6-7	10	220 - 340
<b>K1566.0217</b>	37	32	185	10	17	217	214	145	6-7	10	220 - 355
<b>K1566.0241</b>	37	32	209	10	17	241	246	157	6-7	10	250 - 390
<b>K1566.0249</b>	37	32	217	10	17	249	246	165	6-7	10	250 - 410
<b>K1566.0430</b>	37	32	398	10	17	430	278	328	6-7	10	430
<b>K1566.0450</b>	37	32	418	10	17	450	278	348	6-7	10	450
<b>K1566.0480</b>	37	32	448	10	17	480	310	366	6-7	10	480
<b>K1566.0500</b>	37	32	468	10	17	500	310	368	6-7	10	500
<b>K1566.0550</b>	37	32	518	10	17	550	342	424	6-7	10	550

## Telescopic slides, steel for slot mounting, partial extension, load capacity up to 12 kg

Item description/product images



### Description

**Material:**

Steel slides.  
Plastic ball cages.  
C-steel balls.

**Version:**

Slides galvanized.  
Balls hardened.

**Note for ordering:**

Supplied in pairs

**Note:**

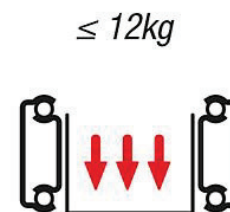
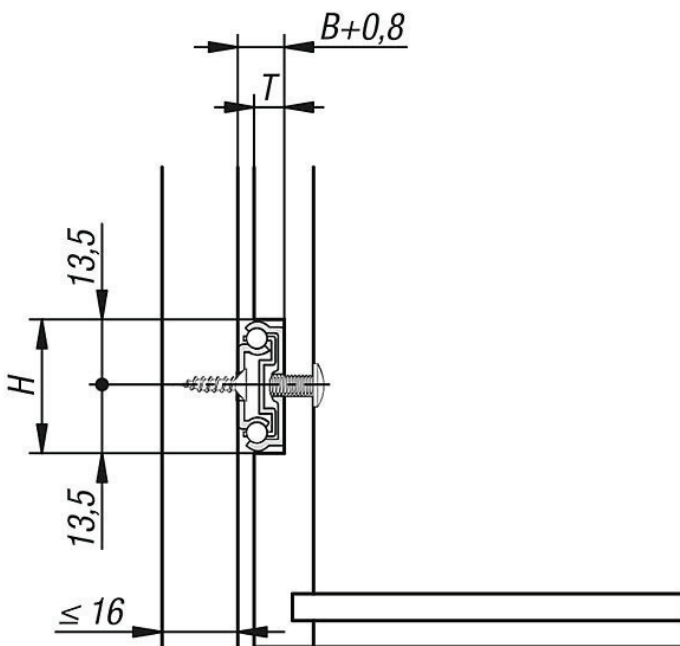
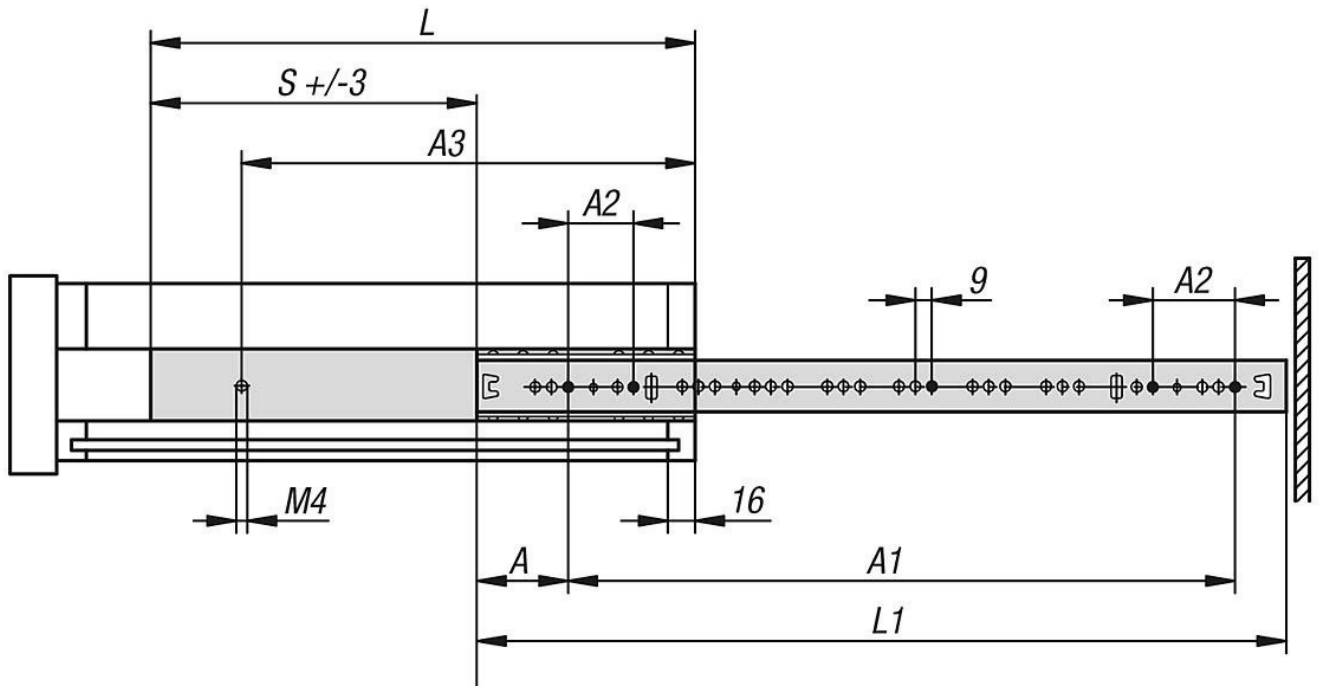
On slot-mounted telescopic slides with partial extension, the travel is shorter than the installed length. These are a low-cost solution for guiding drawers or similar items with little friction and high lateral stability. Interlocking in closed position. The dynamic load capacity of the telescopic slides indicates the maximum load rating of a vertically mounted slide pair when the entire extension length is used. The specified load capacities refer to the maximum value for 20,000 cycles.

**Note:**

The load capacity of all telescopic slides is tested to DIN EN 15338 Level 1.

# Telescopic slides, steel for slot mounting, partial extension, load capacity up to 12 kg

Drawings



## Overview of items

Order No.	A	A1	A2	A3	B	H	L	L1	Travel S	T = slot depth	Loading per pair kg	Drawer depth from - to
K1567.0222	37	160	32	190	10	27	222	214	150	6-7	12	230 - 350
K1567.0328	37	288	32	296	10	27	328	342	232	6-7	12	350 - 550

## Telescopic slides, steel for slot mounting, over-extension, load capacity up to 20 kg

Item description/product images



### Description

**Material:**

Slides steel.  
Ball cages steel and plastic.  
Balls C-steel.

**Version:**

Slides galvanized.  
Balls hardened.

**Note for ordering:**

Supplied in pairs

**Note:**

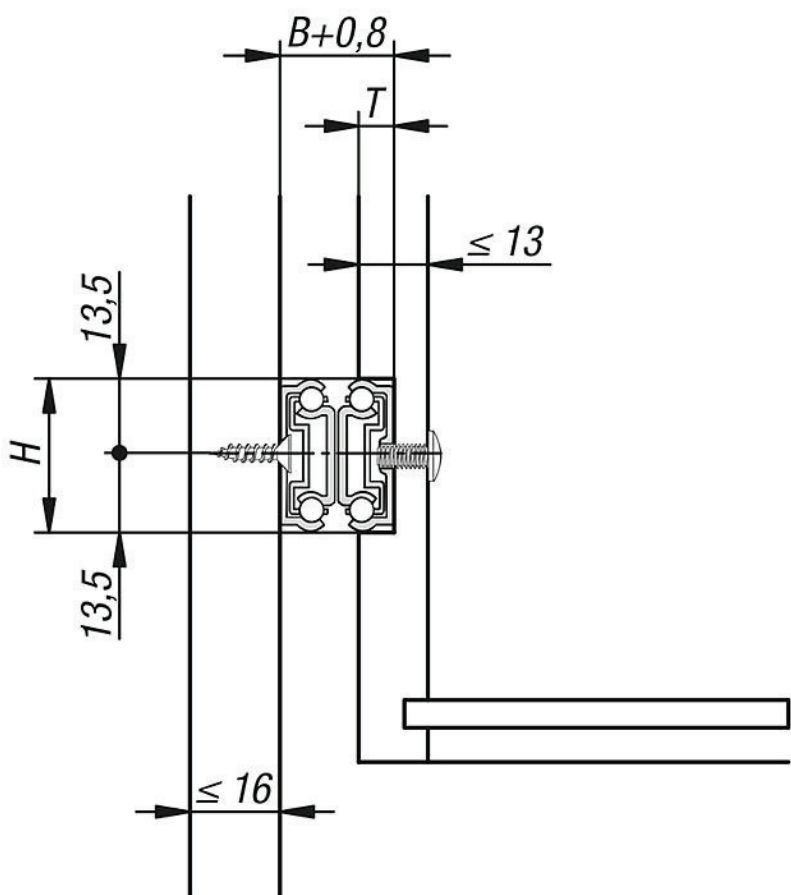
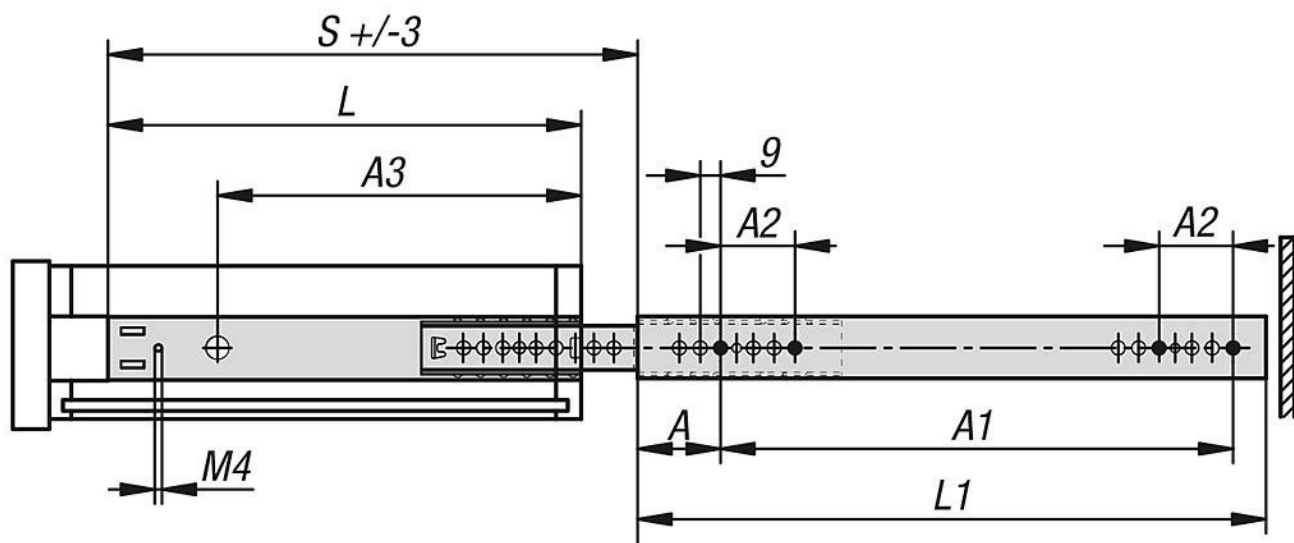
On slot-mounted telescopic slides with partial extension, the travel is shorter than the installed length. These are a low-cost solution for guiding drawers or similar items with little friction and high lateral stability. The dynamic load capacity of the telescopic slides indicates the maximum load rating of a vertically mounted slide pair when the entire extension length is used. The specified load capacities refer to the maximum value for 20,000 cycles.

**Note:**

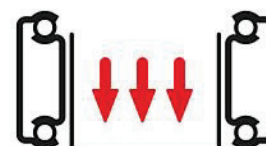
The load capacity of all telescopic slides is tested to DIN EN 15338 Level 1.

# Telescopic slides, steel for slot mounting, over-extension, load capacity up to 20 kg

Drawings



$\leq 20\text{kg}$



## Overview of items

Order No.	A	A1	A2	A3	B	H	L	L1	Travel S	T = slot depth	Loading per pair kg	Drawer depth from - to
K1568.0197	37	192	32	165	19,4	27	197	246	221	6-7	20	200 - 310
K1568.0303	37	256	32	271	19,4	27	303	310	327	6-7	20	310 - 450
K1568.0328	37	256	32	296	19,4	27	328	310	368	6-7	20	450 - 550

## Telescopic slides, steel for side mounting, full extension, load capacity up to 30 Kg

Item description/product images



### Description

**Material:**

Slides steel.  
Ball cages steel and plastic.  
Balls C-steel.

**Version:**

Slides galvanized and blue passivated.  
Balls hardened.

**Note for ordering:**

Supplied in pairs

**Note:**

On telescopic slides with full extension, the travel is equal to the installed length, which ensures greater comfort and accessibility. Interlocking in closed position. When the release lever is actuated, the drawer can be taken out easily and separated from the guide.

The dynamic load capacity of the telescopic slides indicates the maximum load rating of a vertically mounted slide pair when the entire extension length is used. The specified load capacities refer to the maximum value for 20,000 cycles.

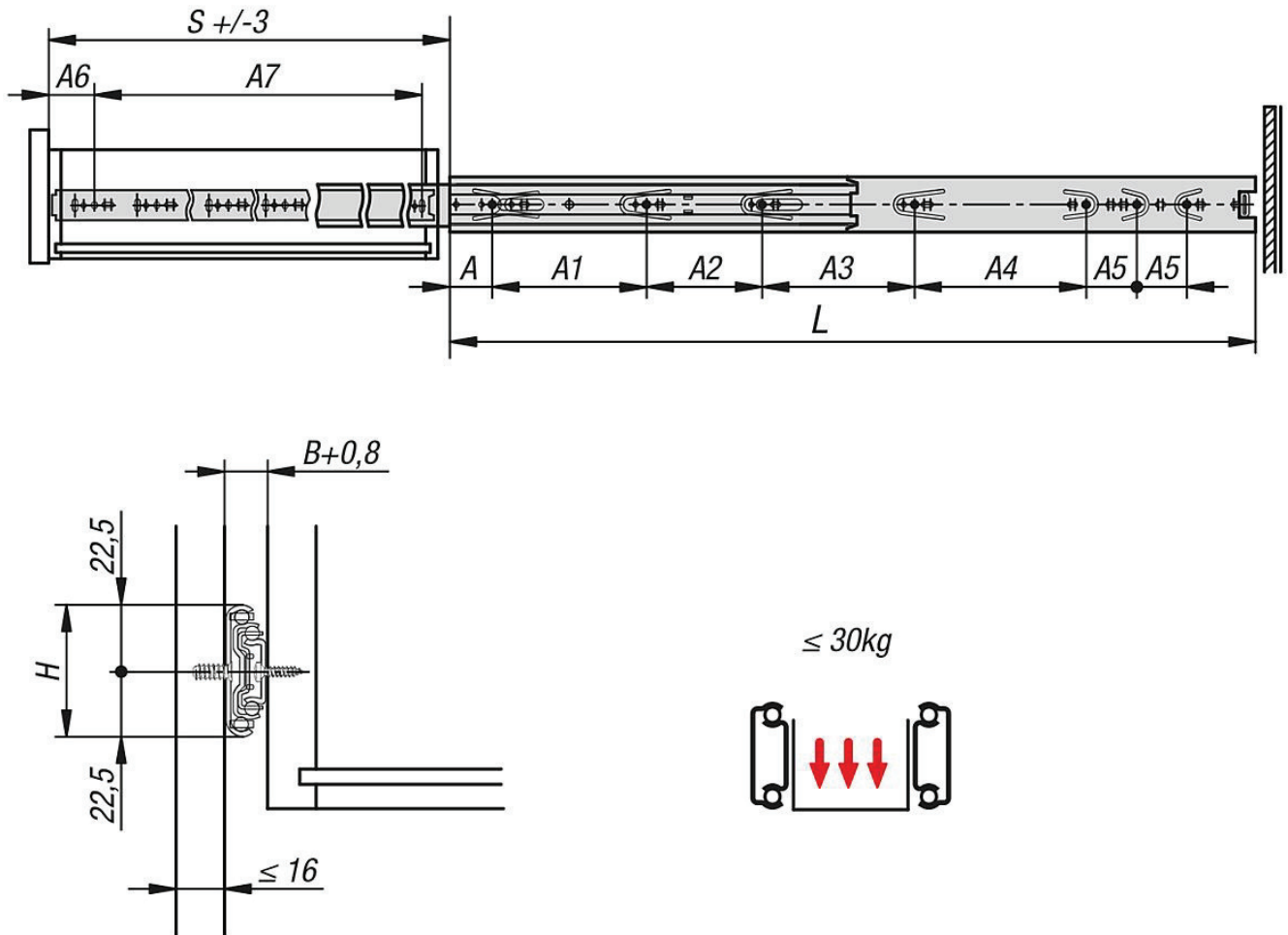
**Note:**

The load capacity of all telescopic slides is tested to DIN EN 15338 Level 1.



# Telescopic slides, steel for side mounting, full extension, load capacity up to 30 Kg

Drawings

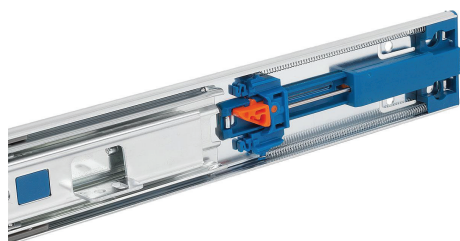


## Overview of items

Order No.	A	A1	A2	A3	A4	A5	A6	A7	B	H	L	Travel S	Loading per pair kg
K1569.0250	35	128	-	-	-	-	35	192	12,7	45	250	250	30
K1569.0300	35	128	96	-	-	-	35	242	12,7	45	300	300	30
K1569.0350	35	128	96	-	-	-	35	292	12,7	45	350	350	30
K1569.0400	35	128	96	96	-	-	35	342	12,7	45	400	400	30
K1569.0450	35	128	96	128	-	-	35	392	12,7	45	450	450	30
K1569.0500	35	128	96	128	64	-	35	442	12,7	45	500	500	30
K1569.0550	35	128	96	128	64	32	35	492	12,7	45	550	550	30

## Telescopic slides, steel for side mounting, full extension, load capacity up to 35 kg

Item description/product images



### Description

#### Material:

Slides steel.  
Ball cages steel and plastic.  
Balls C-steel.

#### Version:

Slides galvanized and blue passivated.  
Balls hardened.

#### Note for ordering:

Supplied in pairs

#### Note:

On telescopic slides with full extension, the travel is equal to the installed length, which ensures greater comfort and accessibility. Interlocking in closed position. When the release lever is actuated, the drawer can be taken out easily and separated from the guide.

When closing, the movement of the telescopic slides is dampened by the soft closing feature and they move automatically into the end position.

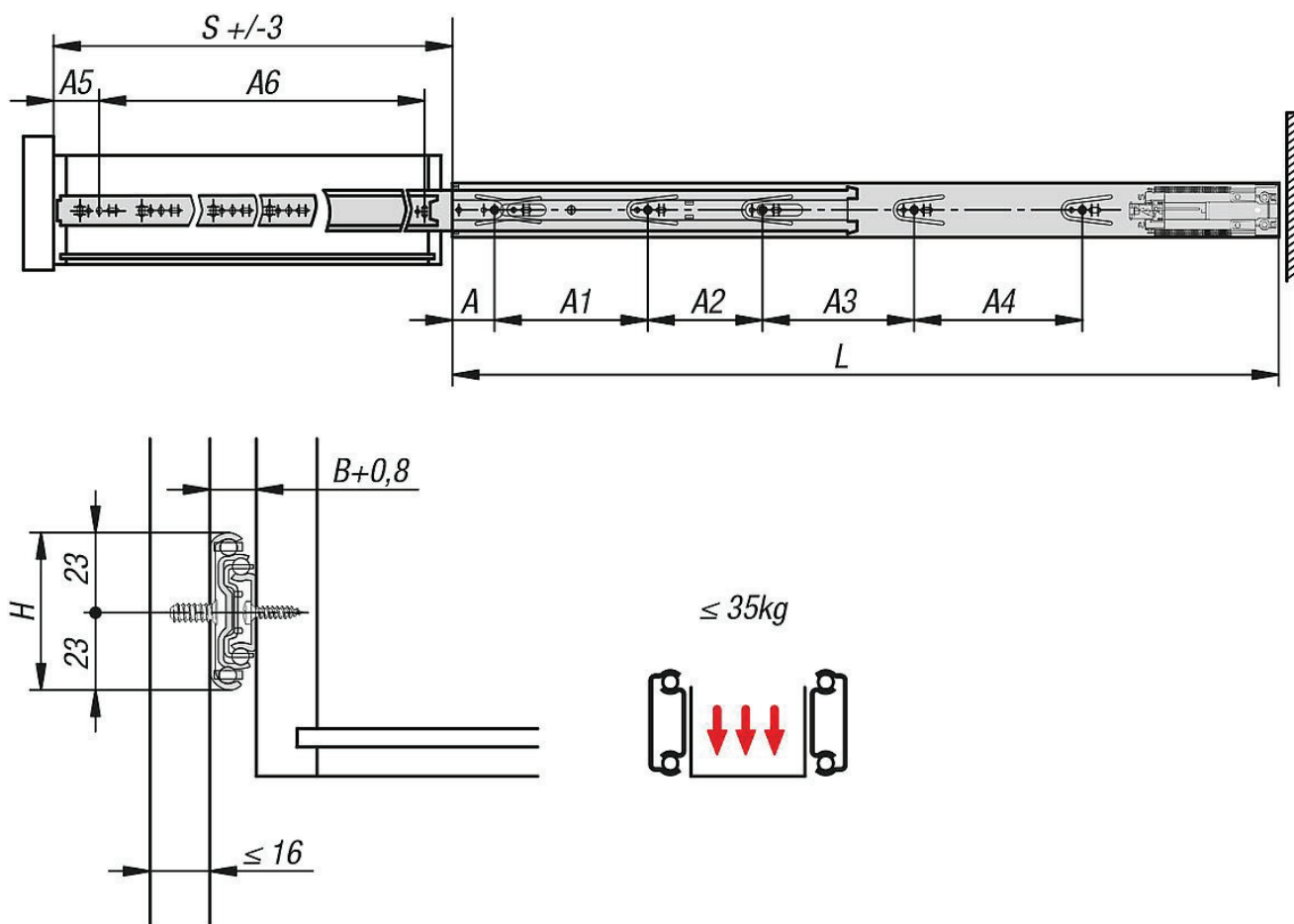
The dynamic load capacity of the telescopic slides indicates the maximum load rating of a vertically mounted slide pair when the entire extension length is used. The load capacities specified refer to the maximum value for 50,000 cycles.

#### Note:

The load capacity of all telescopic slides is tested to DIN EN 15338 Level 2.

# Telescopic slides, steel for side mounting, full extension, load capacity up to 35 kg

Drawings

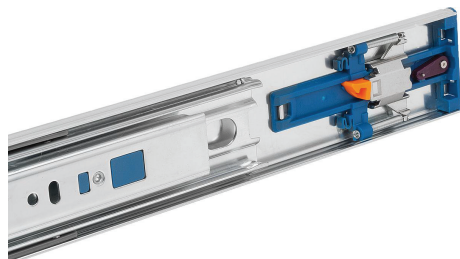


## Overview of items

Order No.	A	A1	A2	A3	A4	A5	A6	B	H	L	Travel S	Loading per pair kg
K1571.0300	35	128	-	-	-	35	171	12,7	46	300	300	35
K1571.0350	35	128	64	-	-	35	220	12,7	46	350	350	35
K1571.0400	35	128	64	-	-	35	254	12,7	46	400	400	35
K1571.0450	35	128	96	-	-	35	294	12,7	46	450	450	35
K1571.0500	35	128	96	64	-	35	344	12,7	46	500	500	35
K1571.0550	35	128	96	128	-	35	394	12,7	46	550	550	35
K1571.0600	35	128	96	160	-	35	444	12,7	46	600	600	35
K1571.0650	35	128	96	128	96	35	494	12,7	46	650	650	35
K1571.0700	35	128	96	128	128	35	544	12,7	46	700	700	35

## Telescopic slides, steel for side mounting, full extension, load capacity up to 35 kg

Item description/product images



### Description

#### Material:

Slides steel.  
Ball cages steel and plastic.  
Balls C-steel.

#### Version:

Slides galvanized and blue passivated.  
Balls hardened.

#### Note for ordering:

Supplied in pairs

#### Note:

On telescopic slides with full extension, the travel is equal to the installed length, which ensures greater comfort and accessibility. Interlocking in closed position. When the release lever is actuated, the drawer can be taken out easily and separated from the guide.

When slight pressure is applied, the telescopic slides move out by themselves, almost silently.

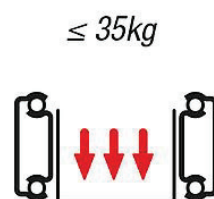
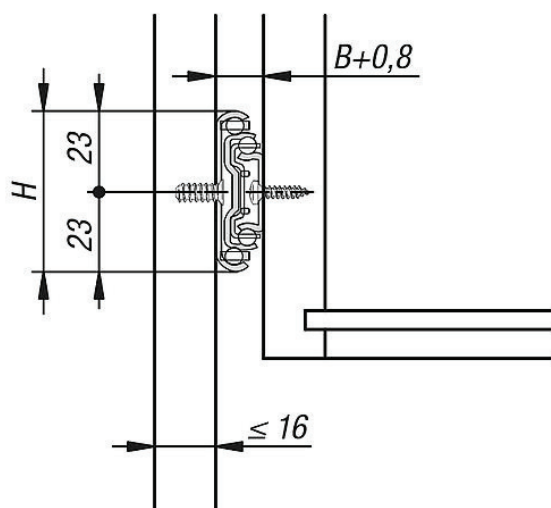
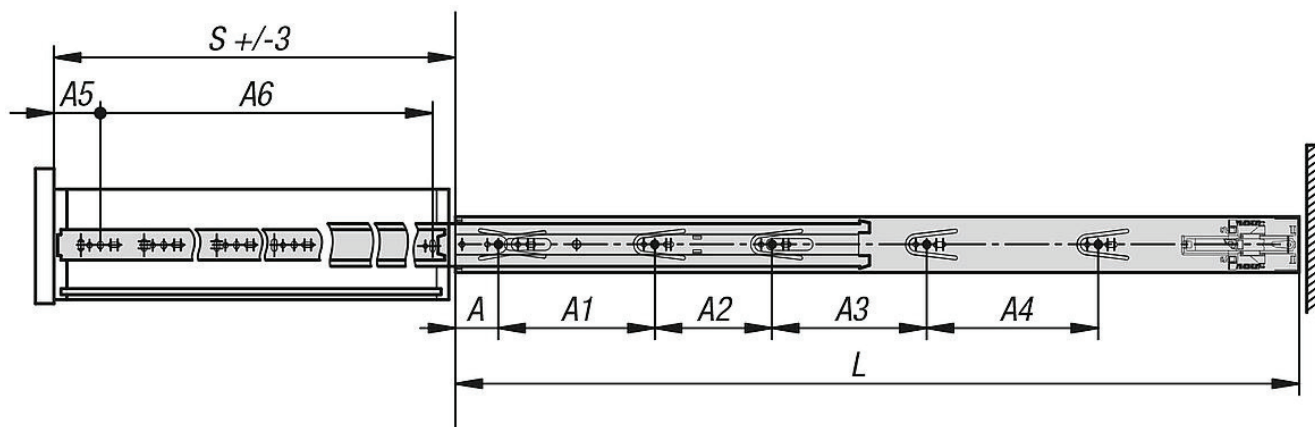
The dynamic load capacity of the telescopic slides indicates the maximum load rating of a vertically mounted slide pair when the entire extension length is used. The load capacities specified refer to the maximum value for 50,000 cycles.

#### Note:

The load capacity of all telescopic slides is tested to DIN EN 15338 Level 2.

# Telescopic slides, steel for side mounting, full extension, load capacity up to 35 kg

Drawings

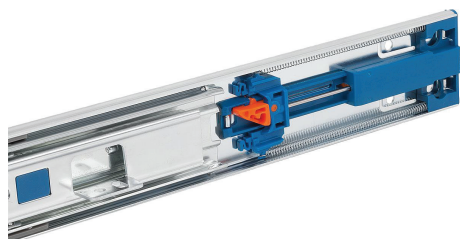
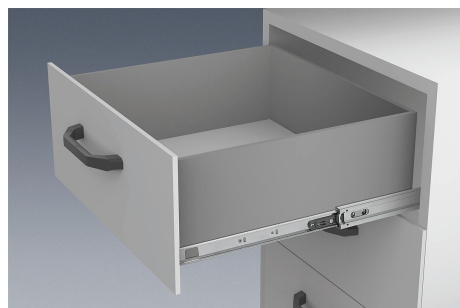


## Overview of items

Order No.	A	A1	A2	A3	A4	A5	A6	B	H	L	Travel S	Loading per pair kg
K1572.0300	35	128	-	-	-	35	192	12,7	46	300	300	35
K1572.0350	35	128	64	-	-	35	242	12,7	46	350	350	35
K1572.0400	35	128	96	-	-	35	292	12,7	46	400	400	35
K1572.0450	35	128	160	-	-	35	342	12,7	46	450	450	35
K1572.0500	35	128	96	96	-	35	392	12,7	46	500	500	35
K1572.0550	35	128	96	128	-	35	442	12,7	46	550	550	35
K1572.0600	35	128	96	128	96	35	492	12,7	46	600	600	35
K1572.0650	35	128	96	128	128	35	542	12,7	46	650	650	35
K1572.0700	35	128	96	128	192	35	592	12,7	46	700	700	35

## Telescopic slides, steel for surface mounting, full extension, load capacity up to 35 kg

Item description/product images



### Description

#### Material:

Slides steel.  
Ball cages steel and plastic.  
Balls C-steel.

#### Version:

Slides galvanized and blue passivated.  
Balls hardened.

#### Note for ordering:

Supplied in pairs

#### Note:

On telescopic slides with full extension, the travel is equal to the installed length, which ensures greater comfort and accessibility. Interlocking in closed position. When the release lever is actuated, the drawer can be taken out easily and separated from the guide.

When closing, the movement of the telescopic slides is dampened by the soft closing feature and they move automatically into the end position.

The side screw fittings on the inner rail are replaced by support brackets.

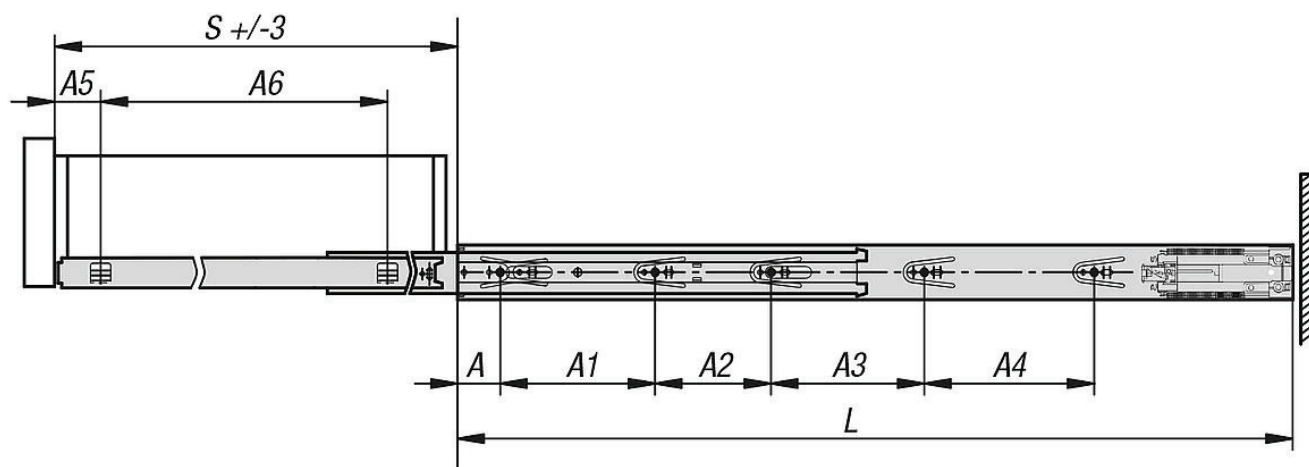
The dynamic load capacity of the telescopic slides indicates the maximum load rating of a vertically mounted slide pair when the entire extension length is used. The load-bearing capacities specified refer to the maximum value for 50,000 cycles.

#### Note:

The load capacity of all telescopic slides is tested to DIN EN 15338 Level 2.

# Telescopic slides, steel for surface mounting, full extension, load capacity up to 35 kg

Drawings

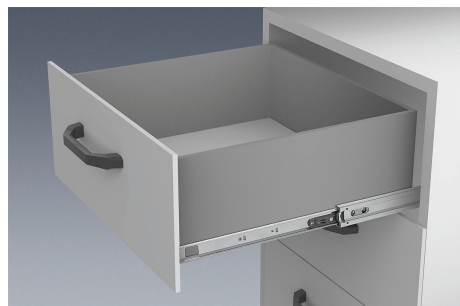


## Overview of items

Order No.	A	A1	A2	A3	A4	A5	A6	B	H	L	Travel S	Loading per pair kg
K1573.0300	35	128	-	-	-	35	230	12,7	46	300	300	35
K1573.0350	35	128	64	-	-	35	280	12,7	46	350	350	35
K1573.0400	35	128	64	-	-	35	315	12,7	46	400	400	35
K1573.0450	35	128	96	-	-	35	365	12,7	46	450	450	35
K1573.0500	35	128	96	64	-	35	415	12,7	46	500	500	35
K1573.0550	35	128	96	128	-	35	465	12,7	46	550	550	35
K1573.0600	35	128	96	160	-	35	515	12,7	46	600	600	35
K1573.0650	35	128	96	128	96	35	565	12,7	46	650	650	35
K1573.0690	35	128	96	128	128	35	615	12,7	46	690	690	35

## Telescopic slides, steel for surface mounting, full extension, load capacity up to 35 kg

Item description/product images



### Description

#### Material:

Slides steel.  
Ball cages steel and plastic.  
Balls C-steel.

#### Version:

Slides galvanized and blue passivated.  
Balls hardened.

#### Note for ordering:

Supplied in pairs

#### Note:

On telescopic slides with full extension, the travel is equal to the installed length, which ensures greater comfort and accessibility. Interlocking in closed position. When the release lever is actuated, the drawer can be taken out easily and separated from the guide.

When slight pressure is applied, the telescopic slides move out by themselves, almost silently.

The side screw fittings on the inner rail are replaced by support brackets.

The dynamic load capacity of the telescopic slides indicates the maximum load rating of a vertically mounted slide pair when the entire extension length is used. The load capacities specified refer to the maximum value for 50,000 cycles.

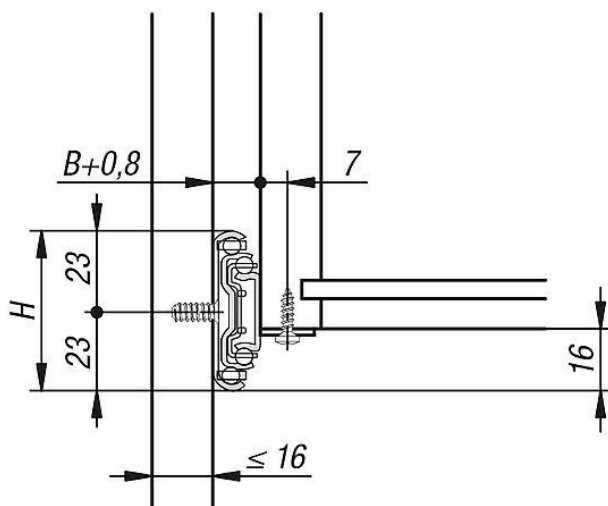
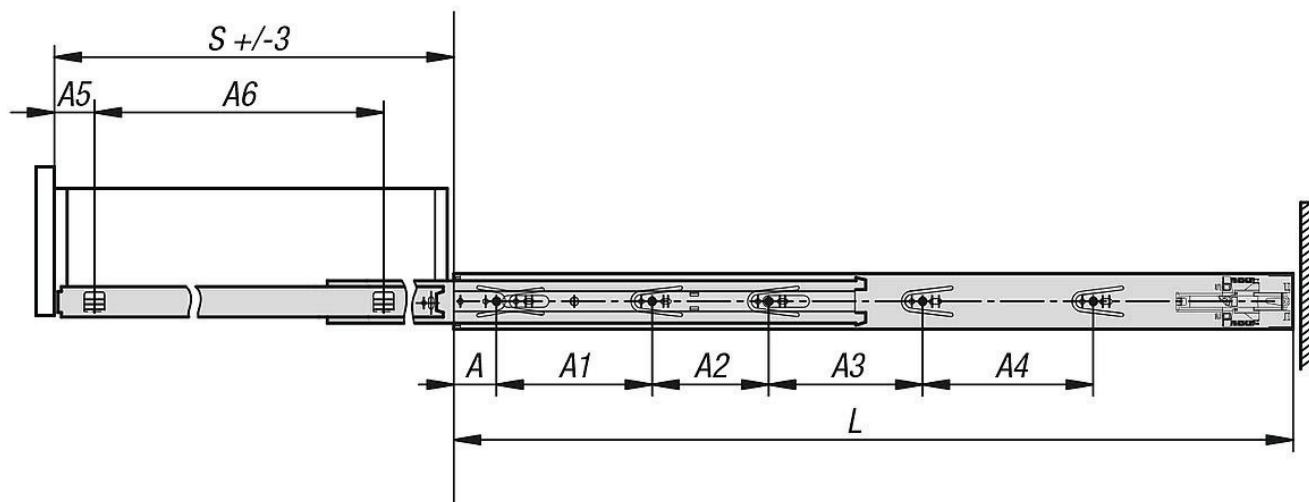
#### Note:

The load capacity of all telescopic slides is tested to DIN EN 15338 Level 2.

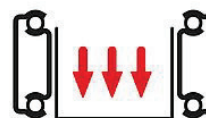


# Telescopic slides, steel for surface mounting, full extension, load capacity up to 35 kg

Drawings



$\leq 35\text{kg}$

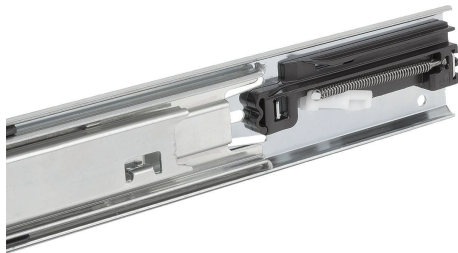


## Overview of items

Order No.	A	A1	A2	A3	A4	A5	A6	B	H	L	Travel S	Loading per pair kg
K1574.0300	35	128	-	-	-	35	192	12,7	46	300	300	35
K1574.0350	35	128	64	-	-	35	242	12,7	46	350	350	35
K1574.0400	35	128	96	-	-	35	292	12,7	46	400	400	35
K1574.0450	35	128	160	-	-	35	342	12,7	46	450	450	35
K1574.0500	35	128	96	96	-	35	392	12,7	46	500	500	35
K1574.0550	35	128	96	128	-	35	442	12,7	46	550	550	35
K1574.0600	35	128	96	128	96	35	492	12,7	46	600	600	35
K1574.0650	35	128	96	128	128	35	542	12,7	46	650	650	35
K1574.0700	35	128	96	128	192	35	592	12,7	46	700	700	35

## Telescopic slides, steel for side mounting, full extension, load capacity up to 40 kg

Item description/product images



### Description

#### Material:

Slides steel.  
Ball cages steel and plastic.  
Balls C-steel.

#### Version:

Slides galvanized and blue passivated.  
Balls hardened.

#### Note for ordering:

Supplied in pairs

#### Note:

On telescopic slides with full extension, the travel is equal to the installed length, which ensures greater comfort and accessibility. Interlocking in closed position. When the release lever is actuated, the drawer can be taken out easily and separated from the guide.

When pushed back, the guide rails are automatically drawn to the end position by the integrated self-closing mechanism.

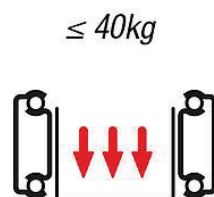
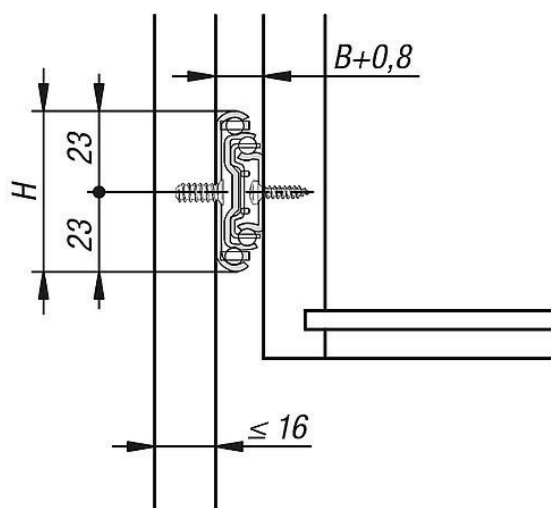
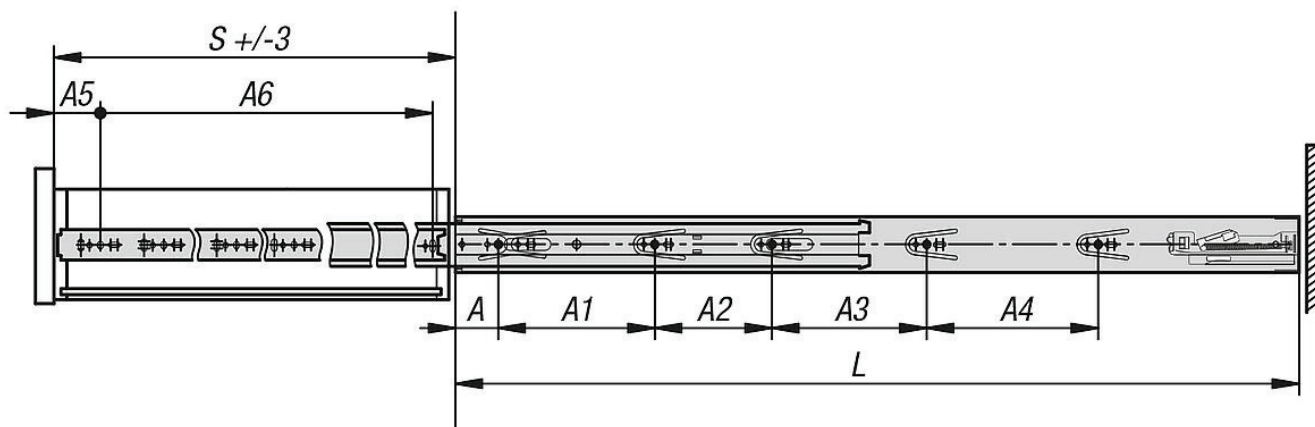
The dynamic load capacity of the telescopic slides indicates the maximum load rating of a vertically mounted slide pair when the entire extension length is used. The specified load capacities refer to the maximum value for 20,000 cycles.

#### Note:

The load capacity of all telescopic slides is tested to DIN EN 15338 Level 1.

# Telescopic slides, steel for side mounting, full extension, load capacity up to 40 kg

Drawings



## Overview of items

Order No.	A	A1	A2	A3	A4	A5	A6	B	H	L	Travel S	Loading per pair kg
K1575.0300	35	128	-	-	-	35	208	12,7	46	300	300	40
K1575.0350	35	128	-	-	-	35	240	12,7	46	350	350	40
K1575.0400	35	128	96	-	-	35	288	12,7	46	400	400	40
K1575.0450	35	128	96	-	-	35	320	12,7	46	450	450	40
K1575.0500	35	128	96	128	-	35	352	12,7	46	500	500	40
K1575.0550	35	128	96	128	-	35	416	12,7	46	550	550	40
K1575.0600	35	128	96	128	96	35	416	12,7	46	600	600	40
K1575.0650	35	128	96	128	128	35	544	12,7	46	650	650	40
K1575.0700	35	128	96	128	192	35	544	12,7	46	700	700	40

## Telescopic slides, steel for side mounting, full extension, load capacity up to 45 Kg

Item description/product images



### Description

**Material:**

Slides steel.  
Ball cages steel and plastic.  
Balls C-steel.

**Version:**

Slides galvanized and blue passivated.  
Balls hardened.

**Note for ordering:**

Supplied in pairs

**Note:**

On telescopic slides with full extension, the travel is equal to the installed length, which ensures greater comfort and accessibility. Interlocking in closed position. When the release lever is actuated, the drawer can be taken out easily and separated from the guide.

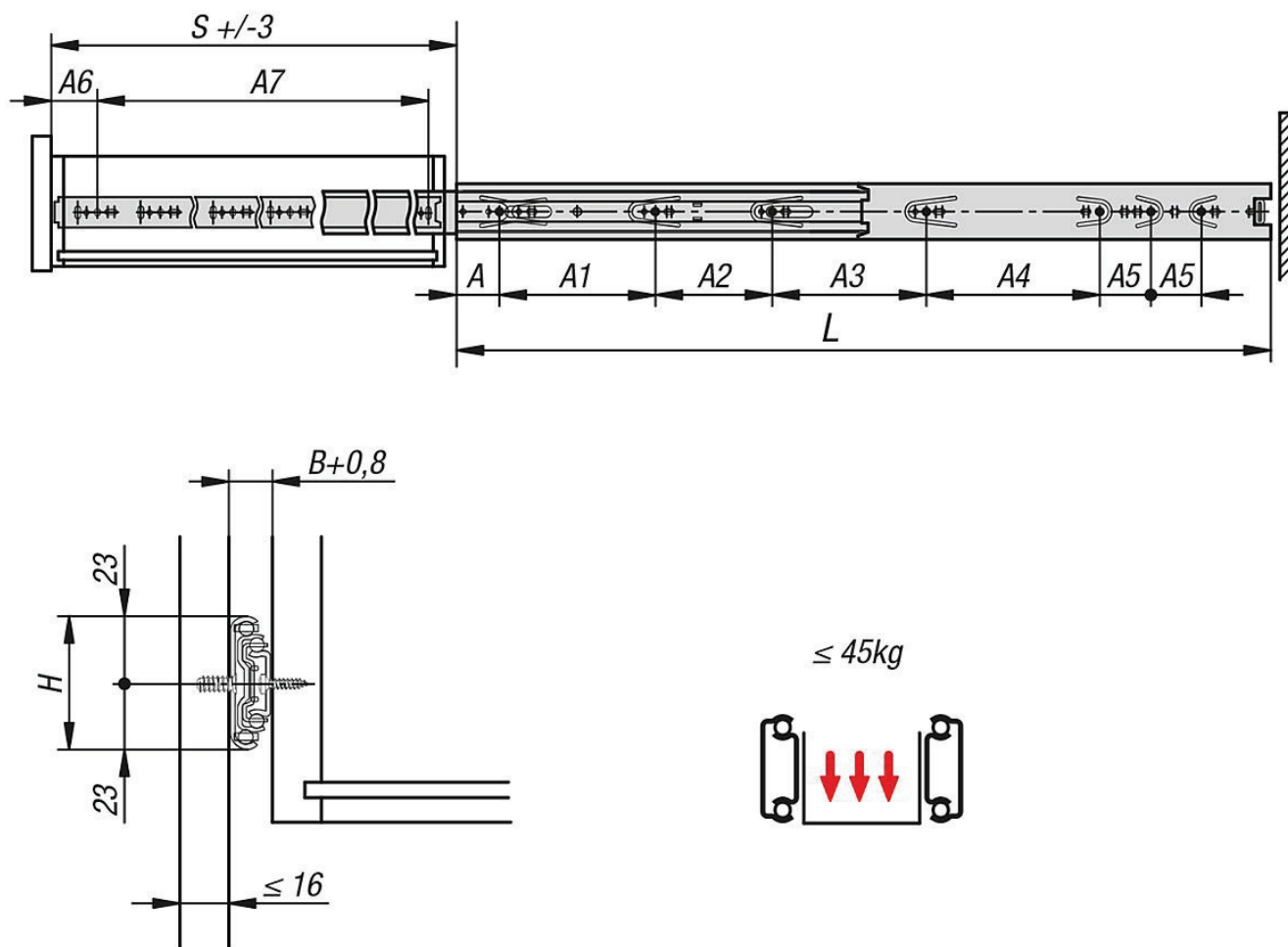
The dynamic load capacity of the telescopic slides indicates the maximum load rating of a vertically mounted slide pair when the entire extension length is used. The specified load capacities refer to the maximum value for 20,000 cycles.

**Note:**

The load capacity of all telescopic slides is tested to DIN EN 15338 Level 1.

# Telescopic slides, steel for side mounting, full extension, load capacity up to 45 Kg

Drawings



## Overview of items

Order No.	A	A1	A2	A3	A4	A5	A6	A7	B	H	L	Travel S	Loading per pair kg
K1577.0250	35	128	-	-	-	-	35	192	12,7	46	250	250	45
K1577.0300	35	128	96	-	-	-	35	242	12,7	46	300	300	45
K1577.0350	35	128	96	-	-	-	35	292	12,7	46	350	350	45
K1577.0400	35	128	96	96	-	-	35	342	12,7	46	400	400	45
K1577.0450	35	128	96	128	-	-	35	392	12,7	46	450	450	45
K1577.0500	35	128	96	128	64	-	35	442	12,7	46	500	500	45
K1577.0550	35	128	96	128	64	32	35	492	12,7	46	550	550	45
K1577.0600	35	128	96	128	96	32	35	542	12,7	46	600	600	45
K1577.0650	35	128	96	128	160	32	35	592	12,7	46	650	650	45
K1577.0700	35	128	96	128	192	32	35	642	12,7	46	700	700	45

## Telescopic slides, steel for side mounting, over-extension, load capacity up to 60 Kg

Item description/product images



### Description

#### Material:

Slides steel.  
Ball cages steel and plastic.  
Balls C-steel.

#### Version:

Slides galvanized and blue passivated.  
Balls hardened.

#### Note for ordering:

Supplied in pairs

#### Note:

On telescopic slides with over-extension, the travel is greater than the installed length. Interlocking in closed position. When the release lever is actuated, the drawer can be taken out easily and separated from the guide.

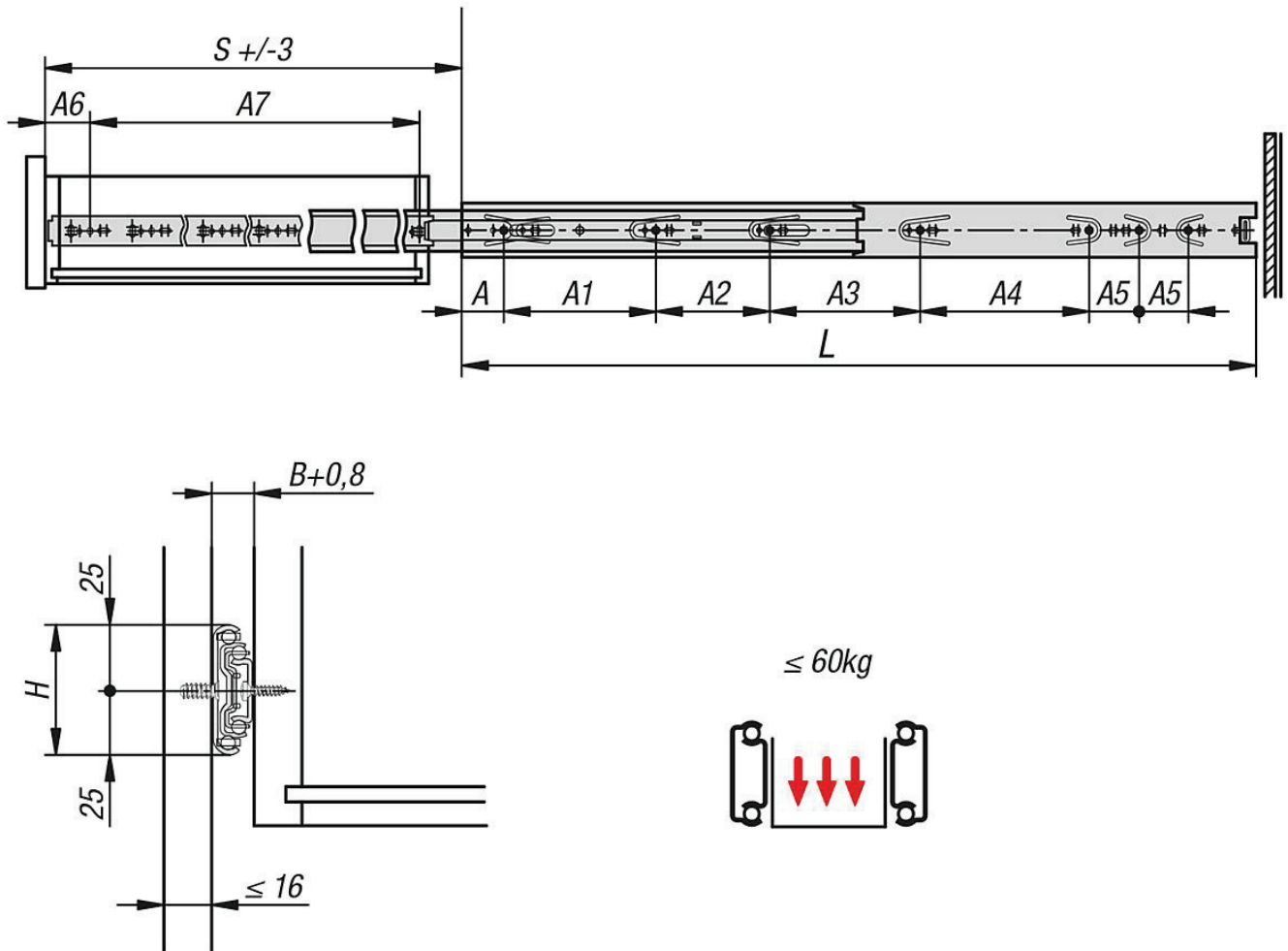
The dynamic load capacity of the telescopic slides indicates the maximum load rating of a vertically mounted slide pair when the entire extension length is used. The specified load capacities refer to the maximum value for 20,000 cycles.

#### Note:

The load capacity of all telescopic slides is tested to DIN EN 15338 Level 1.

# Telescopic slides, steel for side mounting, over-extension, load capacity up to 60 Kg

Drawings

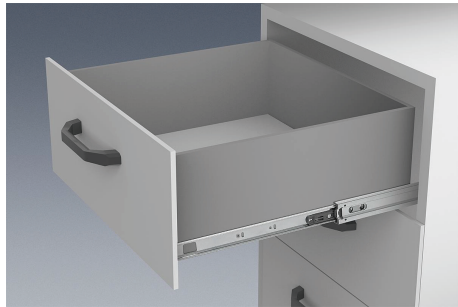


## Overview of items

Order No.	A	A1	A2	A3	A4	A5	A6	A7	B	H	L	Travel S	Loading per pair kg
K1578.0250	35	128	-	-	-	-	35	192	12,7	50	250	288	60
K1578.0300	35	128	96	-	-	-	35	242	12,7	50	300	338	60
K1578.0350	35	128	96	-	-	-	35	292	12,7	50	350	388	60
K1578.0400	35	128	96	96	-	-	35	342	12,7	50	400	438	60
K1578.0450	35	128	96	128	-	-	35	392	12,7	50	450	488	60
K1578.0500	35	128	96	128	64	-	35	442	12,7	50	500	538	60
K1578.0550	35	128	96	128	64	32	35	492	12,7	50	550	588	60
K1578.0600	35	128	96	128	96	32	35	542	12,7	50	600	638	60
K1578.0650	35	128	96	128	160	32	35	592	12,7	50	650	688	60
K1578.0700	35	128	96	128	192	32	35	642	12,7	50	700	738	60

## Telescopic slides, steel for surface mounting, over-extension, load capacity up to 60 Kg

Item description/product images



### Description

#### Material:

Slides steel.  
Ball cages steel and plastic.  
Balls C-steel.

#### Version:

Slides galvanized and blue passivated.  
Balls hardened.

#### Note for ordering:

Supplied in pairs

#### Note:

On telescopic slides with over-extension, the travel is greater than the installed length. Interlocking in closed position. When the release lever is actuated, the drawer can be taken out easily and separated from the guide.

The dynamic load capacity of the telescopic slides indicates the maximum load rating of a vertically mounted slide pair when the entire extension length is used. The specified load capacities refer to the maximum value for 20,000 cycles.

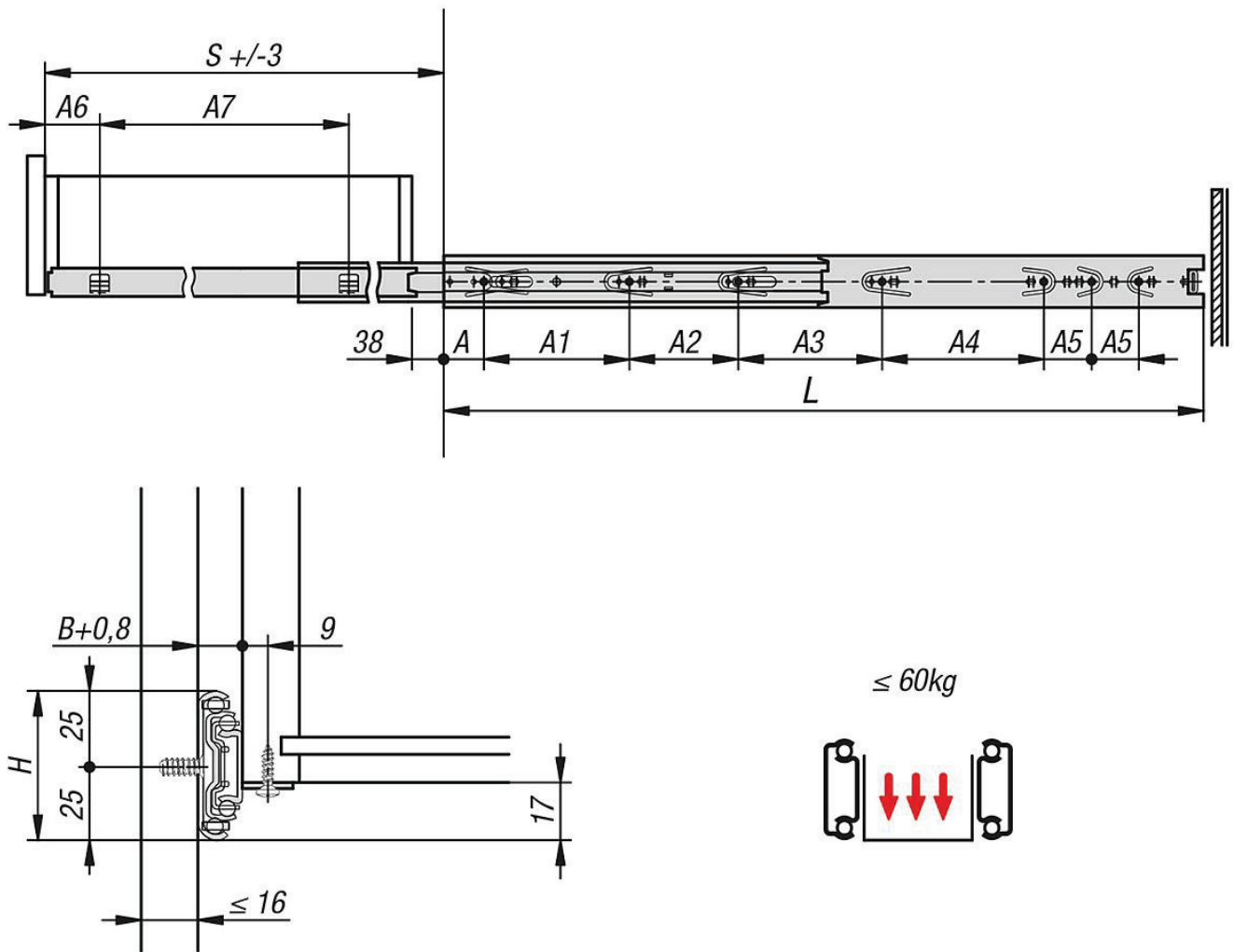
#### Note:

The load capacity of all telescopic slides is tested to DIN EN 15338 Level 1.



# Telescopic slides, steel for surface mounting, over-extension, load capacity up to 60 Kg

Drawings



## Overview of items

Order No.	A	A1	A2	A3	A4	A5	A6	A7	B	H	L	Travel S	Loading per pair kg
K1579.0350	35	128	96	-	-	-	35	283	12,7	50	350	388	60
K1579.0400	35	128	96	96	-	-	35	333	12,7	50	400	438	60
K1579.0450	35	128	96	128	-	-	35	383	12,7	50	450	488	60
K1579.0500	35	128	96	128	64	-	35	433	12,7	50	500	538	60
K1579.0550	35	128	96	128	64	32	35	483	12,7	50	550	588	60
K1579.0600	35	128	96	128	96	32	35	533	12,7	50	600	638	60

## Telescopic slides, steel for side mounting, over-extension, load capacity up to 90 Kg

Item description/product images



### Description

**Material:**

Slides steel.  
Ball cages steel and plastic.  
Balls C-steel.

**Version:**

Slides galvanized and blue passivated.  
Balls hardened.

**Note for ordering:**

Supplied in pairs

**Note:**

On telescopic slides with over-extension, the travel is greater than the installed length. Interlocking in closed position. When the release lever is actuated, the drawer can be taken out easily and separated from the guide.

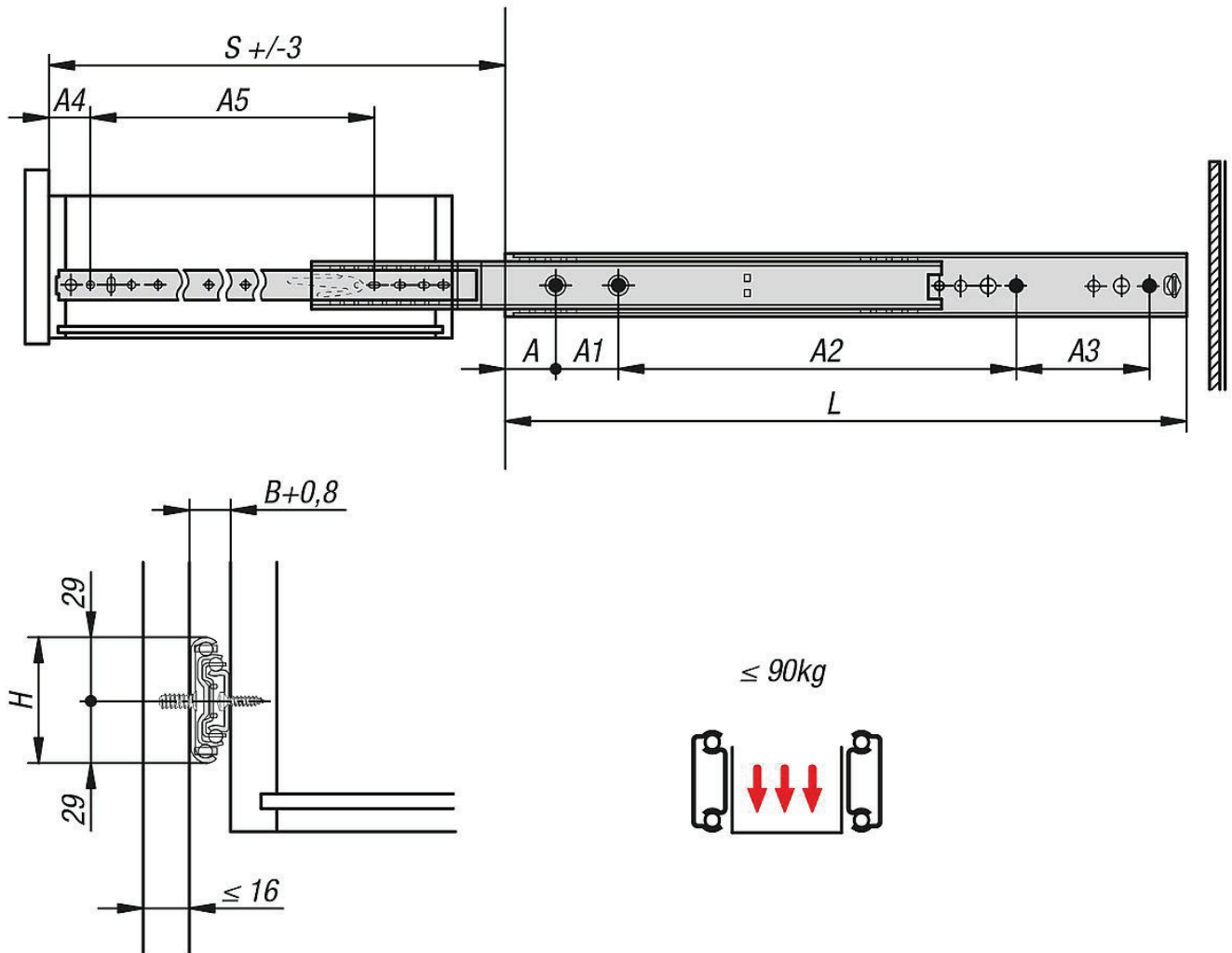
The dynamic load capacity of the telescopic slides indicates the maximum load rating of a vertically mounted slide pair when the entire extension length is used. The specified load capacities refer to the maximum value for 20,000 cycles.

**Note:**

The load capacity of all telescopic slides is tested to DIN EN 15338 Level 1.

# Telescopic slides, steel for side mounting, over-extension, load capacity up to 90 Kg

Drawings



## Overview of items

Order No.	A	A1	A2	A3	A4	A5	B	H	L	Travel S	Loading per pair kg
K1580.0300	31,75	57	122	-	31,75	233,5	19	58	300	338	90
K1580.0350	31,75	57	172	-	31,75	283,5	19	58	350	388	90
K1580.0400	31,75	57	111	111	31,75	333,5	19	58	400	438	90
K1580.0450	31,75	57	136	136	31,75	383,5	19	58	450	488	90
K1580.0500	31,75	57	161	161	31,75	433,5	19	58	500	538	90
K1580.0550	31,75	57	186	186	31,75	483,5	19	58	550	588	90
K1580.0600	31,75	57	211	211	31,75	533,5	19	58	600	638	90
K1580.0650	31,75	57	236	236	31,75	583,5	19	58	650	688	90
K1580.0700	31,75	57	261	261	31,75	633,5	19	58	700	738	90

## Telescopic slides, steel for side mounting, full extension, load capacity up to 136 Kg

Item description/product images



### Description

**Material:**

Steel slides.  
Plastic ball cages.  
C-steel balls.

**Version:**

Slides galvanized.  
Balls hardened.

**Note for ordering:**

Supplied in pairs

**Note:**

On telescopic slides with full extension, the travel is equal to the installed length, which ensures greater comfort and accessibility. Interlocking in closed position. The dynamic load capacity of the telescopic slides indicates the maximum load rating of a vertically mounted slide pair when the entire extension length is used. The specified load capacities refer to the maximum value for 60,000 cycles.

**Note:**

The load capacity of all telescopic slides is tested to DIN EN 15338 Level 3.