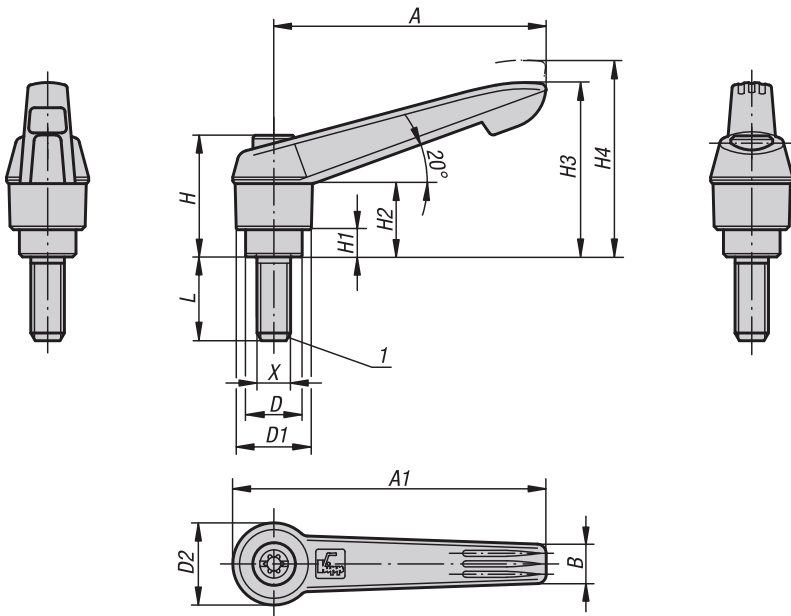


K0269

Clamping levers antistatic

external thread, plastic grip



Material:

Handles reinforced plastic, toothed ring die-cast zinc. Steel parts grade 5.8.

Version:

Steel parts black oxidised, handles graphite black.

Sample order:

K0269.1120624X20

Application:

Sensitive electrical or electronic equipment, components and devices (ESD sensitive elements) may be damaged or destroyed by electrostatic discharges (ESD) in the immediate vicinity.

Electrostatic discharges can come from people or through handling ESD sensitive components (e.g. during production, assembly, transport, storage etc). Electrically conductive products which conform to DIN EN 61340-5-1 are essential within electronic environments to prevent an electrostatic discharge. These products can be used for ESD applications or in ESD protection areas (EPA) in accordance with DIN EN 61340-5-1.

The yellow ESD logo is printed on the side of the product to clearly identify it.

Safety:

These ESD products can also be used for devices, components and protection systems in areas with high risk of explosion.

Use of these ESD products prevents the occurrence of electrostatic spark discharges, eliminating the potential ignition of gases and dusts which could lead to explosions in enclosed spaces.

Manufacturers and operators must use and conform to ATEX directives for the protection of persons working in areas with high risk of explosion.

These ESD products are certified by TÜV-Süd in relation to their electrical discharge capability.

Target groups:

Device manufacturers required to conform to ATEX product directive 2014/34/EU.

Operators required to conform to ATEX worker protection directive 1999/92/EC.

Drawing reference:

1) flat point DIN 78

lift to disengage



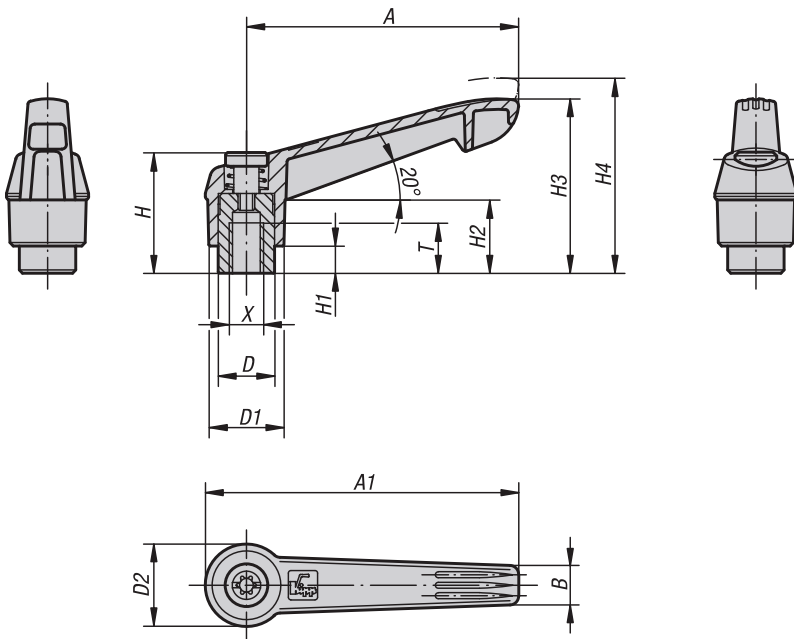
KIPP Clamping levers antistatic, external thread, plastic grip

Order No.	Main colour	Size	X	D	D1	D2	H	H1	H2	H3	H4	A	A1	B	No. of teeth	L
K0269.1120624X20	Graphite black RAL 9011	2	M6	13,5	18	19,5	28,5	6,5	17,5	41,5	45,5	65	75	9,5	20	20
K0269.1120824X20	Graphite black RAL 9011	2	M8	13,5	18	19,5	28,5	6,5	17,5	41,5	45,5	65	75	9,5	20	20

K0270

Clamping levers antibacterial

internal thread, plastic grip, metal parts stainless steel



Material:
 Handles slate grey reinforced plastic, toothed ring die-cast zinc.
 Steel parts stainless steel 1.4305.

Version:
 Stainless steel bright.

Sample order:
 K0270.12206144

Application:
 The antibacterial KIPP MEDI grip products are highly effective against a variety of hazardous microorganisms, such as bacteria, fungi, viruses and even multi-resistant bacteria (e.g. MRSA).
 The plastic used incorporates micro-silver particles with an antimicrobial effect to ensure effective results throughout the entire product life cycle.

Function:
 Silver ions are effective in preventing harmful microorganisms from forming on the product surface, promoting a constant reduction of the existing germs on the MEDI grip products (as tested and confirmed by an accredited testing laboratory).
 During cleaning cycles the risk of infection while touching these products is significantly lower.

Advantages:
 Resistant to humidity and cleaning products (during disinfection) with no toxic side effects.

Applications:
 For installation on machines, equipment, plants and furnishings in areas with increased hygienic requirements (including hospitals, doctors' surgeries, rehabilitation centres and food production facilities), as well as for use in public areas or regularly frequented institutions (i.e. nursing homes or daycare centres).



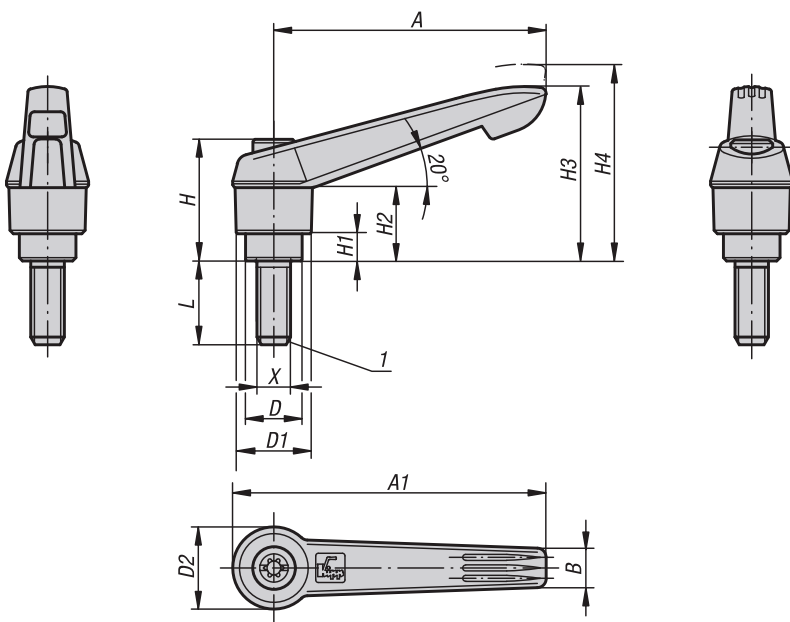
KIPP Clamping levers antibacterial, internal thread, plastic grip, metal parts stainless steel

Order No.	Size	X	T	D	D1	D2	H	H1	H2	H3	H4	A	A1	B	No. of teeth
K0270.12206144	2	M6	12	13,5	18	19,5	28,5	6,5	17,5	41,5	45,5	65	75	9,5	20

K0270

Clamping levers antibacterial

external thread, plastic grip, metal parts stainless steel



Material:

Handles slate grey reinforced plastic, toothed ring die-cast zinc. Steel parts stainless steel 1.4305.

Version:

Stainless steel bright.

Sample order:

K0270.12210144X20

Application:

The antibacterial KIPP MEDI grip products are highly effective against a variety of hazardous microorganisms, such as bacteria, fungi, viruses and even multi-resistant bacteria (e.g. MRSA). The plastic used incorporates micro-silver particles with an antimicrobial effect to ensure effective results throughout the entire product life cycle.

Function:

Silver ions are effective in preventing harmful microorganisms from forming on the product surface, promoting a constant reduction of the existing germs on the MEDI grip products (as tested and confirmed by an accredited testing laboratory). During cleaning cycles the risk of infection while touching these products is significantly lower.

Advantages:

Resistant to humidity and cleaning products (during disinfection) with no toxic side effects.

Applications:

For installation on machines, equipment, plants and furnishings in areas with increased hygienic requirements (including hospitals, doctors' surgeries, rehabilitation centres and food production facilities), as well as for use in public areas or regularly frequented institutions (i.e. nursing homes or daycare centres).



KIPP Clamping levers antibacterial, external thread, plastic grip, metal parts stainless steel

Order No.	Size	X	D	D1	D2	H	H1	H2	H3	H4	A	A1	B	No. of teeth	L
K0270.12206144X20	2	M6	13,5	18	19,5	28,5	6,5	17,5	41,5	45,5	65	75	9,5	20	20
K0270.12208144X20	2	M8	13,5	18	19,5	28,5	6,5	17,5	41,5	45,5	65	75	9,5	20	20

K0125

Clamping levers 2K

internal thread



Material:

Handle:

Hard component fibreglass reinforced plastic with die-cast zinc toothed ring.

Soft component Thermoflex based on SEBS.

Steel parts:
grade 5.8.

Version:

Steel parts black oxidised.

Sample order:

K0125.10401

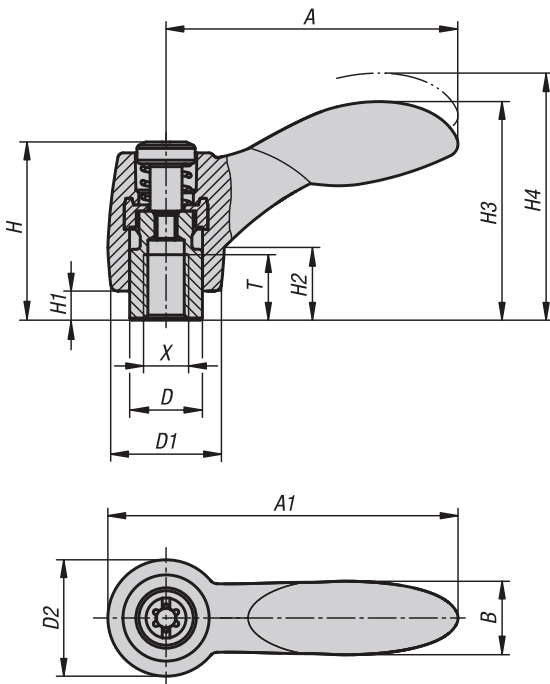
Note:

The hard and soft components are supplied in black grey RAL 7021 as standard.

On request:

Other internal threads, colour combinations and special versions.

Dimension "H1" available in other lengths on request at extra charge.



KIPP Clamping levers 2K with internal thread

Order No.	Size	X	T	D	D1	D2	H	H1	H2	H3	H4	A	A1	B	No. of teeth
K0125.10401	1	M4	9	10	15	16	24,5	4	10	30	33,5	40,1	48,1	10,1	16
K0125.10501	1	M5	9	10	15	16	24,5	4	10	30	33,5	40,1	48,1	10,1	16
K0125.10601	1	M6	9	10	15	16	24,5	4	10	30	33,5	40,1	48,1	10,1	16
K0125.20601	2	M6	12	13,5	17,5	19	28,5	6,5	12,5	41,2	45,2	64,9	74,4	17,6	20
K0125.20801	2	M8	12	13,5	17,5	19	28,5	6,5	12,5	41,2	45,2	64,9	74,4	17,6	20
K0125.30801	3	M8	14	16	21	22	37	10	17	51,6	56,1	80,2	91,2	20,7	22

K0125

Clamping levers 2K

external thread



Material:

Handle:
Hard component fibreglass reinforced plastic with die-cast zinc toothed ring.
Soft component Thermoflex based on SEBS.
Steel parts:
grade 5.8.

Version:

Steel parts black oxidised.

Sample order:

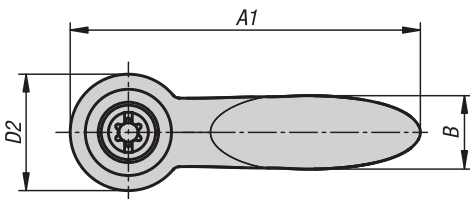
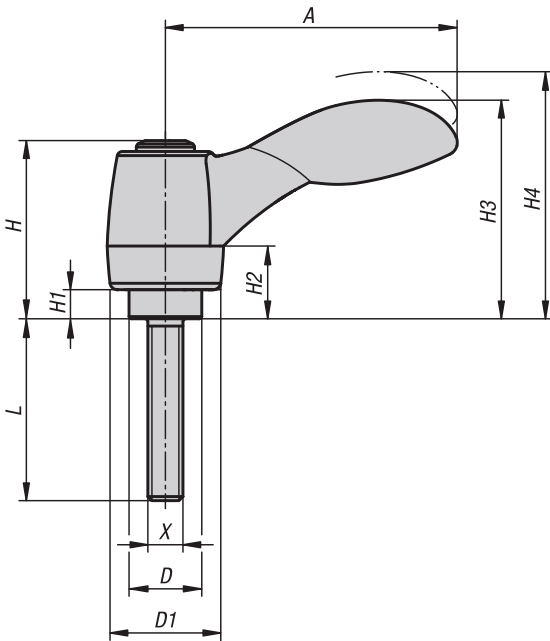
K0125.10501X10 (include length L)

Note:

The hard and soft components are supplied in black grey RAL 7021 as standard.

On request:

Other external threads, screw lengths, colour combinations and special versions.
Dimension "H1" available in other lengths on request at extra charge.



KIPP Clamping levers 2K with external thread

Order No.	Size	X	D	D1	D2	H	H1	H2	H3	H4	A	A1	B	No. of teeth	L
K0125.10501X	1	M5	10	15	16	24,5	4	10	30	33,5	40,1	48,1	10,1	16	10/15/20/25/30/35/40/45/50
K0125.10601X	1	M6	10	15	16	24,5	4	10	30	33,5	40,1	48,1	10,1	16	10/15/20/25/30/35/40/45/50
K0125.20601X	2	M6	13,5	17,5	19	28,5	6,5	12,5	41,2	45,2	64,9	74,4	17,6	20	15/20/25/30/35/40/45/50/55/60
K0125.20801X	2	M8	13,5	17,5	19	28,5	6,5	12,5	41,2	45,2	64,9	74,4	17,6	20	15/20/25/30/35/40/45/50/55/60
K0125.21001X	2	M10	13,5	17,5	19	28,5	6,5	12,5	41,2	45,2	64,9	74,4	17,6	20	15/20/25/30/35/40/45/50/55/60
K0125.30801X	3	M8	16	21	22	37	10	17	51,6	56,1	80,2	91,2	20,7	22	15/20/25/30/35/40/45/50/55/60

K0126

Clamping levers 2K

internal thread, metal parts stainless steel



Material:

Handle:

Hard component in glass-fibre-reinforced plastic with toothed wheel in die cast zinc.

Soft component: Thermoflex based on SEBS.

Steel parts:

Stainless steel, 1.4305.

Version:

Steel parts bright.

Sample order:

K0126.10401

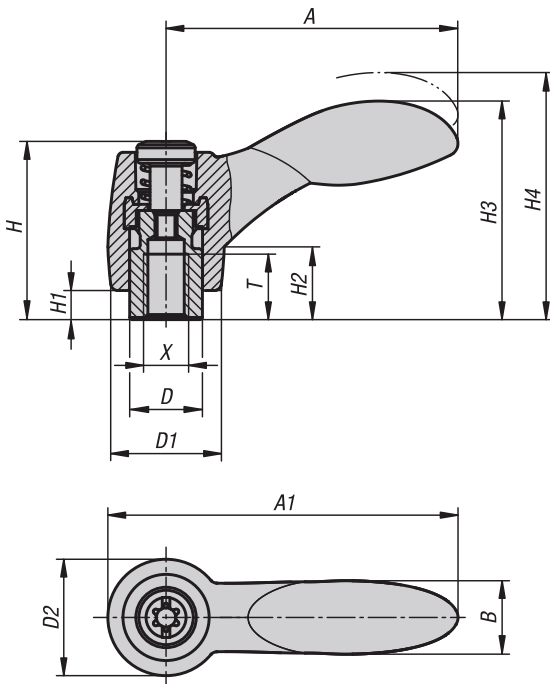
Note:

The hard and soft components are supplied in black grey RAL 7021 as standard.

On request:

Other internal threads, colour combinations and special versions.

Dimension "H1" available in other lengths on request at extra charge.



KIPP Clamping levers 2K with internal thread, metal parts stainless steel

Order No.	Size	X	T	D	D1	D2	H	H1	H2	H3	H4	A	A1	B	No. of teeth
K0126.10401	1	M4	9	10	15	16	24,5	4	10	30	33,5	40,1	48,1	10,1	16
K0126.10501	1	M5	9	10	15	16	24,5	4	10	30	33,5	40,1	48,1	10,1	16
K0126.10601	1	M6	9	10	15	16	24,5	4	10	30	33,5	40,1	48,1	10,1	16
K0126.20601	2	M6	12	13,5	17,5	19	28,5	6,5	12,5	41,2	45,2	64,9	74,4	17,6	20
K0126.20801	2	M8	12	13,5	17,5	19	28,5	6,5	12,5	41,2	45,2	64,9	74,4	17,6	20
K0126.30801	3	M8	14	16	21	22	37	10	17	51,6	56,1	80,2	91,2	20,7	22

K0126

Clamping levers 2K

external thread, metal parts stainless steel



Material:

Handle:

Hard component in glass-fibre-reinforced plastic with toothed wheel in die cast zinc.

Soft component: Thermoflex based on SEBS.

Steel parts:

Stainless steel 1.4305

Version:

Steel parts bright.

Sample order:

K0126.10501X10 (include length L)

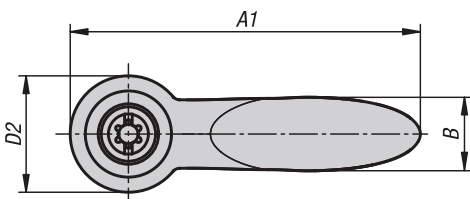
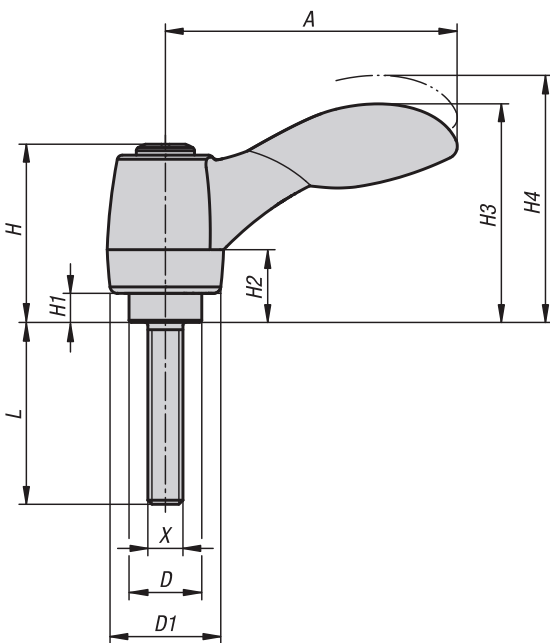
Note:

The hard and soft components are supplied in black grey RAL 7021 as standard.

On request:

Other external threads, screw lengths, colour combinations and special versions.

Dimension "H1" available in other lengths at extra charge.



KIPP Clamping levers 2K with external thread, metal parts stainless steel

Order No.	Size	X	D	D1	D2	H	H1	H2	H3	H4	A	A1	B	No. of teeth	L
K0126.10501X	1	M5	10	15	16	24,5	4	10	30	33,5	40,1	48,1	10,1	16	10/15/20/25
K0126.10601X	1	M6	10	15	16	24,5	4	10	30	33,5	40,1	48,1	10,1	16	10/15/20/25/30/40/50
K0126.20601X	2	M6	13,5	17,5	19	28,5	6,5	12,5	41,2	45,2	64,9	74,4	17,6	20	15/20/25/30/40/50/60
K0126.20801X	2	M8	13,5	17,5	19	28,5	6,5	12,5	41,2	45,2	64,9	74,4	17,6	20	15/20/25/30/40/50/60
K0126.21001X	2	M10	13,5	17,5	19	28,5	6,5	12,5	41,2	45,2	64,9	74,4	17,6	20	20/25/30/40/50/60
K0126.30801X	3	M8	16	21	22	37	10	17	51,6	56,1	80,2	91,2	20,7	22	20/25/30/40/50/60

K0252

Clamping lever ECO

internal thread

**Material:**

Handle and insert reinforced plastic.

For size 1 and 2, brass bush.

For size 3, steel bush.

Version:

Steel blue passivated.

Sample order:

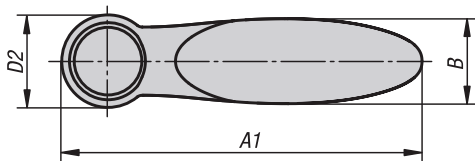
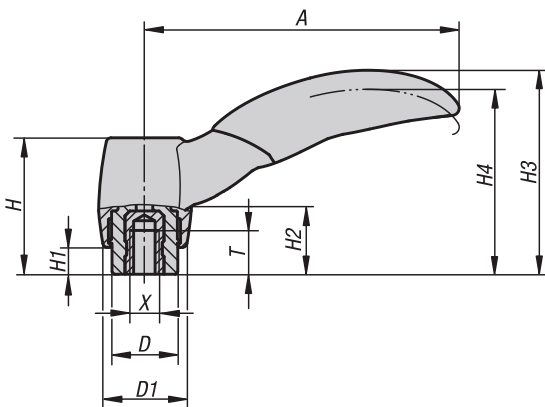
K0252.1041

Note:

Standard colour is black grey RAL 7021.

On request:

Other internal threads, colours and special versions.



press to
disengage



KIPP Clamping lever ECO internal thread

Order No.	Size	X	T	D	D1	D2	H	H1	H2	H3	H4	A	A1	B	No. of teeth
K0252.1041	1	M4	6	10	12,6	14,1	21,7	5	11,3	32	29,1	47,9	55	13	12
K0252.1051	1	M5	6	10	12,6	14,1	21,7	5	11,3	32	29,1	47,9	55	13	12
K0252.2051	2	M5	7,5	13,5	17	19	28	5,5	14	41,9	38	64,5	74	17,5	12
K0252.2061	2	M6	9	13,5	17	19	28	5,5	14	41,9	38	64,5	74	17,5	12
K0252.2081	2	M8	9	13,5	17	19	28	5,5	14	41,9	38	64,5	74	17,5	12
K0252.3081	3	M8	12	17	20,4	23,9	40,7	10	23,1	58,1	53,3	81,1	93	22	12

K0252

Clamping lever ECO

external thread



Material:

Handle and insert reinforced plastic.
Screw steel 5.8.

Version:

Steel blue passivated.

Sample order:

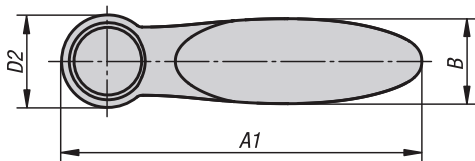
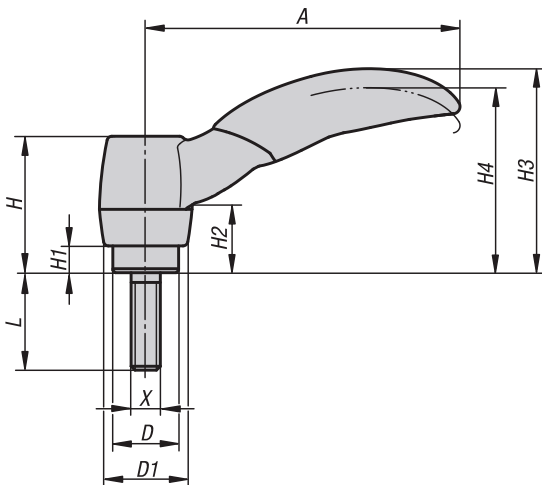
K0252.1041X10
(include length L)

Note:

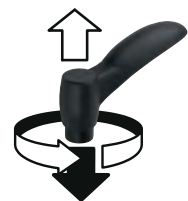
Standard colour is black grey RAL 7021.

On request:

Other external threads, colours and special versions.



press to
disengage



KIPP Clamping lever ECO external thread

Order No.	Size	X	D	D1	D2	H	H1	H2	H3	H4	A	A1	B	No. of teeth	L
K0252.1041X	1	M4	10	12,6	14,1	21,7	5	11,3	32	29,1	47,9	55	13	12	10/15/20
K0252.1051X	1	M5	10	12,6	14,1	21,7	5	11,3	32	29,1	47,9	55	13	12	10/15/20/25
K0252.2051X	2	M5	13,5	17	19	28	5,5	14	41,9	38	64,5	74	17,5	12	10/15/20/25/30/40
K0252.2061X	2	M6	13,5	17	19	28	5,5	14	41,9	38	64,5	74	17,5	12	10/15/20/25/30/40
K0252.2081X	2	M8	13,5	17	19	28	5,5	14	41,9	38	64,5	74	17,5	12	10/15/20/25/30/40
K0252.3081X	3	M8	17	20,4	23,9	40,7	10	23,1	58,1	53,3	81,1	93	22	12	20/25/30/40/50/60

K0981

Clamping levers ergonomic

internal thread



Material:

Handle:
Hard components reinforced plastic, toothed ring die-cast zinc.
Soft components thermoplastic elastomer.
Steel parts:
grade 5.8.

Version:

Steel parts blue-passivated.

Sample order:

K0981.3081

Note:

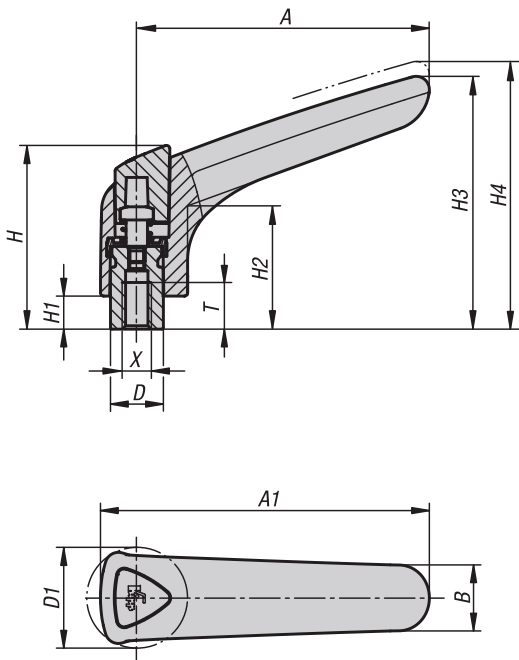
The colour combinations graphite black RAL 9011 (hard components) and black grey RAL 7021 (soft components) are supplied as standard.

The soft components ensure a non-slip grip of the operating part. The closed design offers sufficient protection against dirt. The design was especially developed for ergonomic gripping requirements.

The push button improves disengagement and allows the handle to be easily used.

On request:

Other internal threads, colours and special versions. Dimension "H1" available in other lengths at extra charge.



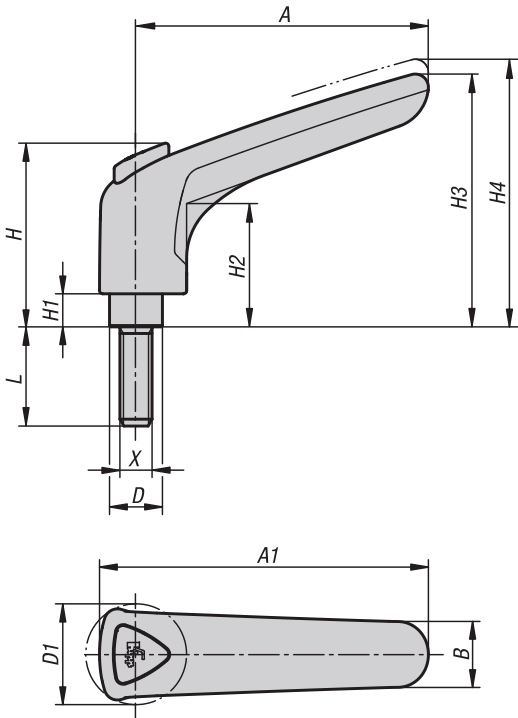
KIPP Clamping lever, ergonomic, internal thread

Order No.	Size	X	T	D	D1	H	H1	H2	H3	H4	A	A1	B	No. of teeth
K0981.3081	3	M8	14	16	30,5	55,6	10	37,3	76,5	81	88,5	99,5	20	22

K0981

Clamping levers ergonomic

external thread



Material:

Handle:

Hard components reinforced plastic, toothed ring die-cast zinc.

Soft components thermoplastic elastomer.

Steel parts:

grade 5.8.

Version:

Steel parts blue-passivated.

Sample order:

K0981.3081X15

Note:

The colour combinations graphite black RAL 9011 (hard components) and black grey RAL 7021 (soft components) are supplied as standard.

On request:

Other external threads, screw lengths, colour combinations and special versions.

Dimension "H1" available in other lengths on request at extra charge.

lift to disengage



The soft components ensure a non-slip grip of the operating part. The closed design offers sufficient protection against dirt. The design was especially developed for ergonomic gripping requirements.

The push button improves disengagement and allows the handle to be easily used.

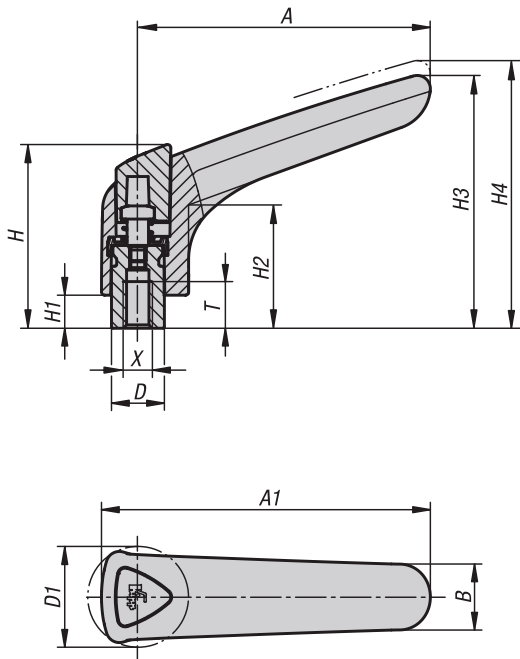
KIPP Clamping lever, ergonomic, external thread

Order No.	Size	X	D	D1	H	H1	H2	H3	H4	A	A1	B	No. of teeth	L
K0981.3081X15	3	M8	16	30,5	55,6	10	37,3	76,5	81	88,5	99,5	20	22	15
K0981.3081X20	3	M8	16	30,5	55,6	10	37,3	76,5	81	88,5	99,5	20	22	20
K0981.3081X25	3	M8	16	30,5	55,6	10	37,3	76,5	81	88,5	99,5	20	22	25
K0981.3081X30	3	M8	16	30,5	55,6	10	37,3	76,5	81	88,5	99,5	20	22	30
K0981.3081X35	3	M8	16	30,5	55,6	10	37,3	76,5	81	88,5	99,5	20	22	35
K0981.3081X40	3	M8	16	30,5	55,6	10	37,3	76,5	81	88,5	99,5	20	22	40
K0981.3081X45	3	M8	16	30,5	55,6	10	37,3	76,5	81	88,5	99,5	20	22	45
K0981.3081X50	3	M8	16	30,5	55,6	10	37,3	76,5	81	88,5	99,5	20	22	50
K0981.3081X55	3	M8	16	30,5	55,6	10	37,3	76,5	81	88,5	99,5	20	22	55
K0981.3081X60	3	M8	16	30,5	55,6	10	37,3	76,5	81	88,5	99,5	20	22	60
K0981.3101X15	3	M10	16	30,5	55,6	10	37,3	76,5	81	88,5	99,5	20	22	15
K0981.3101X20	3	M10	16	30,5	55,6	10	37,3	76,5	81	88,5	99,5	20	22	20
K0981.3101X25	3	M10	16	30,5	55,6	10	37,3	76,5	81	88,5	99,5	20	22	25
K0981.3101X30	3	M10	16	30,5	55,6	10	37,3	76,5	81	88,5	99,5	20	22	30
K0981.3101X35	3	M10	16	30,5	55,6	10	37,3	76,5	81	88,5	99,5	20	22	35
K0981.3101X40	3	M10	16	30,5	55,6	10	37,3	76,5	81	88,5	99,5	20	22	40
K0981.3101X45	3	M10	16	30,5	55,6	10	37,3	76,5	81	88,5	99,5	20	22	45
K0981.3101X50	3	M10	16	30,5	55,6	10	37,3	76,5	81	88,5	99,5	20	22	50
K0981.3101X55	3	M10	16	30,5	55,6	10	37,3	76,5	81	88,5	99,5	20	22	55

K0982

Clamping levers ergonomic

internal thread, steel parts stainless steel



Material:

Handle:
Hard components reinforced plastic, toothed ring die-cast zinc.
Soft components thermoplastic elastomer.
Steel parts:
Stainless steel, 1.4305.

Version:

Steel parts bright.

Sample order:

K0982.3081

Note:

The colour combinations graphite black RAL 9011 (hard components) and black grey RAL 7021 (soft components) are supplied as standard.

The soft components ensure a non-slip grip of the operating part. The closed design offers sufficient protection against dirt. The design was especially developed for ergonomic gripping requirements.

The push button improves disengagement and allows the handle to be easily used.

On request:

Other internal threads, colours and special versions. Dimension "H1" available in other lengths at extra charge.



KIPP Clamping levers, ergonomic, internal thread, metal parts stainless steel

Order No.	Size	X	T	D	D1	H	H1	H2	H3	H4	A	A1	B	No. of teeth
K0982.3081	3	M8	14	16	30,5	55,6	10	37,3	76,5	81	88,5	99,5	20	22

K0982

Clamping levers ergonomic

external thread, steel parts stainless steel



Material:

Handle:
Hard components reinforced plastic, toothed ring die-cast zinc.
Soft components thermoplastic elastomer.
Steel parts:
Stainless steel, 1.4305.

Version:

Steel parts bright.

Sample order:

K0982.3081X20

Note:

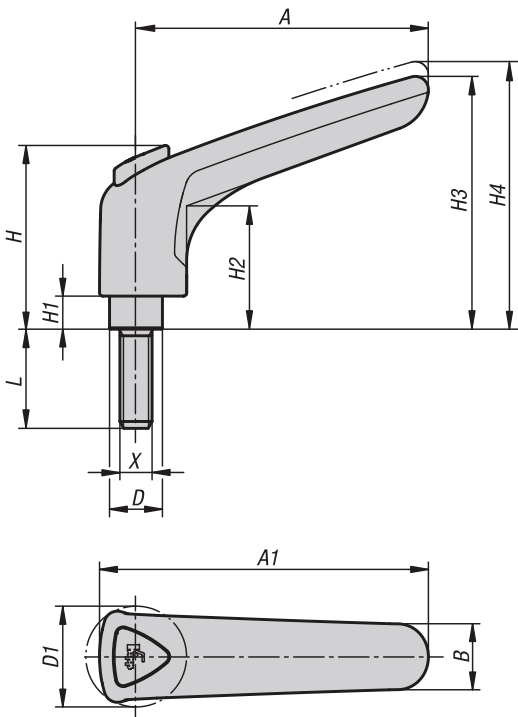
The colour combinations graphite black RAL 9011 (hard components) and black grey RAL 7021 (soft components) are supplied as standard.

The soft components ensure a non-slip grip of the operating part. The closed design offers sufficient protection against dirt. The design was especially developed for ergonomic gripping requirements.

The push button improves disengagement and allows the handle to be easily used.

On request:

Other external threads, screw lengths, colour combinations and special versions.
Dimension "H1" available in other lengths on request at extra charge.



lift to disengage

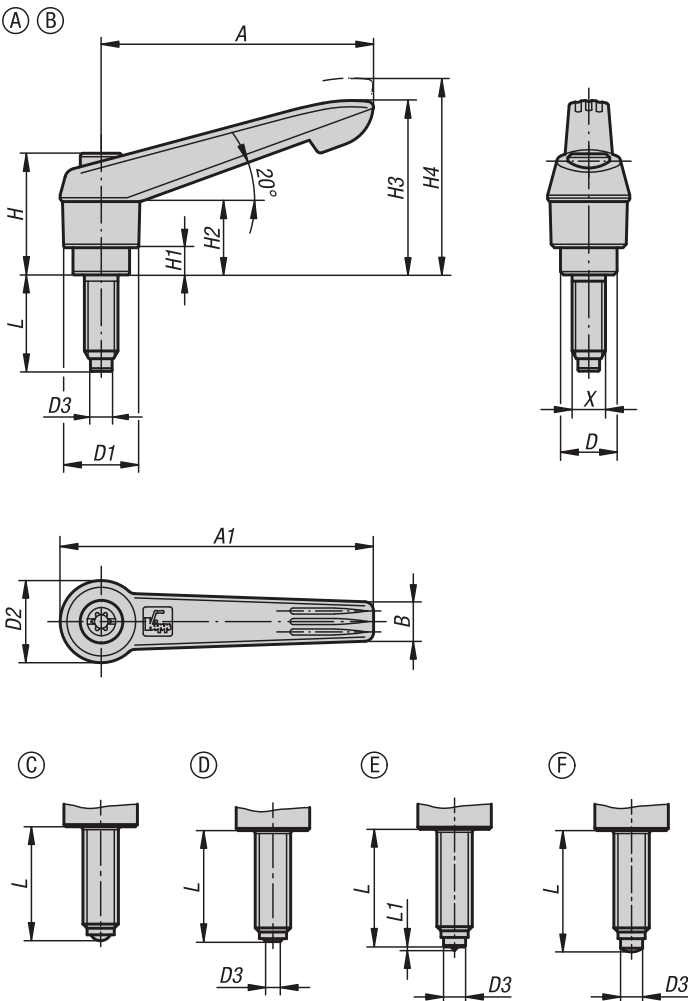


KIPP Clamping lever, ergonomic, external thread, metal parts stainless steel

Order No.	Size	X	D	D1	H	H1	H2	H3	H4	A	A1	B	No. of teeth	L
K0982.3081X20	3	M8	16	30,5	55,6	10	37,3	76,5	81	88,5	99,5	20	22	20
K0982.3081X25	3	M8	16	30,5	55,6	10	37,3	76,5	81	88,5	99,5	20	22	25
K0982.3081X30	3	M8	16	30,5	55,6	10	37,3	76,5	81	88,5	99,5	20	22	30
K0982.3081X40	3	M8	16	30,5	55,6	10	37,3	76,5	81	88,5	99,5	20	22	40
K0982.3081X50	3	M8	16	30,5	55,6	10	37,3	76,5	81	88,5	99,5	20	22	50
K0982.3081X60	3	M8	16	30,5	55,6	10	37,3	76,5	81	88,5	99,5	20	22	60
K0982.3101X20	3	M10	16	30,5	55,6	10	37,3	76,5	81	88,5	99,5	20	22	20
K0982.3101X25	3	M10	16	30,5	55,6	10	37,3	76,5	81	88,5	99,5	20	22	25
K0982.3101X30	3	M10	16	30,5	55,6	10	37,3	76,5	81	88,5	99,5	20	22	30
K0982.3101X40	3	M10	16	30,5	55,6	10	37,3	76,5	81	88,5	99,5	20	22	40
K0982.3101X50	3	M10	16	30,5	55,6	10	37,3	76,5	81	88,5	99,5	20	22	50

K0780

Clamping lever with thrust pad



Material:

Handles fibreglass reinforced plastic with die-cast zinc toothed rings.
Steel parts grade 5.8.
Thrust pin, brass, steel or POM.
Ball in steel.

Version:

Steel parts black oxidised.

Sample order:

K0780.12061X20 (include length L)

Note:

The various different thrust pins are used to avoid pressure marks, compensate for unevenness or increase the grip on the workpiece.

On request:

Other external threads, screw lengths, clamp lever colours and thrust pin types as well as special versions.

Dimension "H1" optionally available in other lengths at extra cost.

Drawing reference:

- Form A: brass thrust pin
- Form B: POM thrust pin
- Form C: with ball
- Form D: with flattened ball
- Form E: with point
- Form F: with half-dog point

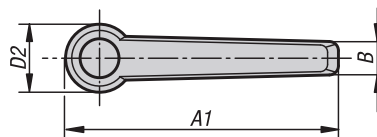
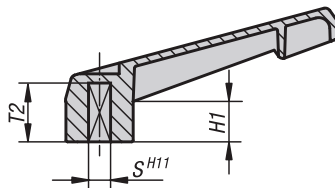
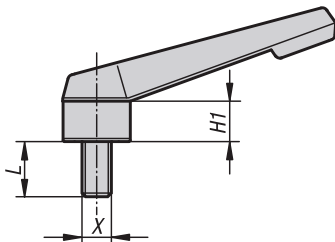
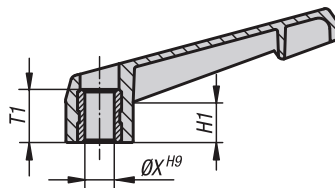
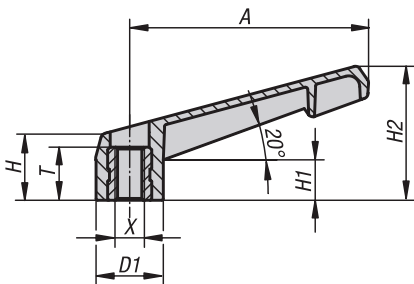


KIPP Clamping lever with thrust pad

Order No.	Form	Component material	Size	X	D	D1	D2	D3	Ball-Ø	H	H1	H2	H3	H4	A	A1	B	No. of teeth	L	L1
K0780.11051X	A	pin brass	1	M5	10	13	14,5	3	-	24,5	4	15	30	33,5	40	47	7,5	16	20/30/40/50	-
K0780.11061X	A	pin brass	1	M6	10	13	14,5	4	-	24,5	4	15	30	33,5	40	47	7,5	16	20/30/40/50	-
K0780.12061X	A	pin brass	2	M6	13,5	18	19,5	4	-	28,5	6,5	17,5	41,5	45,5	65	75	9,5	20	20/30/40/50/60	-
K0780.12081X	A	pin brass	2	M8	13,5	18	19,5	5,5	-	28,5	6,5	17,5	41,5	45,5	65	75	9,5	20	20/30/40/50/60	-
K0780.12101X	A	pin brass	2	M10	13,5	18	19,5	7	-	28,5	6,5	17,5	41,5	45,5	65	75	9,5	20	20/30/40/50/60	-
K0780.21051X	B	pin POM	1	M5	10	13	14,5	3	-	24,5	4	15	30	33,5	40	47	7,5	16	20,5/30,5/40,5/50,5	-
K0780.21061X	B	pin POM	1	M6	10	13	14,5	3,5	-	24,5	4	15	30	33,5	40	47	7,5	16	19,8/29,8/39,8/49,8	-
K0780.22061X	B	pin POM	2	M6	13,5	18	19,5	3,5	-	28,5	6,5	17,5	41,5	45,5	65	75	9,5	20	19,8/29,8/39,8/49,8/59,8	-
K0780.22081X	B	pin POM	2	M8	13,5	18	19,5	5	-	28,5	6,5	17,5	41,5	45,5	65	75	9,5	20	19,6/29,6/39,6/49,6/59,6	-
K0780.22101X	B	pin POM	2	M10	13,5	18	19,5	6,5	-	28,5	6,5	17,5	41,5	45,5	65	75	9,5	20	19,9/29,9/39,9/49,9/59,9	-
K0780.31051X	C	ball steel	1	M5	10	13	14,5	-	3	24,5	4	15	30	33,5	40	47	7,5	16	19,5/29,5/39,5/49,5	-
K0780.31061X	C	ball steel	1	M6	10	13	14,5	-	4	24,5	4	15	30	33,5	40	47	7,5	16	19,3/29,3/39,3/49,3	-
K0780.32061X	C	ball steel	2	M6	13,5	18	19,5	-	4	28,5	6,5	17,5	41,5	45,5	65	75	9,5	20	19,3/29,3/39,3/49,3/59,3	-
K0780.32081X	C	ball steel	2	M8	13,5	18	19,5	-	5,5	28,5	6,5	17,5	41,5	45,5	65	75	9,5	20	19,2/29,2/39,2/49,2/59,2	-
K0780.32101X	C	ball steel	2	M10	13,5	18	19,5	-	7	28,5	6,5	17,5	41,5	45,5	65	75	9,5	20	19,7/29,7/39,7/49,7/59,7	-
K0780.41051X	D	ball steel	1	M5	10	13	14,5	2	3	24,5	4	15	30	33,5	40	47	7,5	16	19,1/29,1/39,1/49,1	-
K0780.41061X	D	ball steel	1	M6	10	13	14,5	3	4	24,5	4	15	30	33,5	40	47	7,5	16	18,6/28,6/38,6/48,6	-
K0780.42061X	D	ball steel	2	M6	13,5	18	19,5	3	4	28,5	6,5	17,5	41,5	45,5	65	75	9,5	20	18,6/28,6/38,6/48,6/58,6	-
K0780.42081X	D	ball steel	2	M8	13,5	18	19,5	4,1	5,5	28,5	6,5	17,5	41,5	45,5	65	75	9,5	20	18,3/28,3/38,3/48,3/58,3	-
K0780.42101X	D	ball steel	2	M10	13,5	18	19,5	5,6	7	28,5	6,5	17,5	41,5	45,5	65	75	9,5	20	18,3/28,3/38,3/48,3/58,3	-
K0780.51051X	E	point steel	1	M5	10	13	14,5	3	-	24,5	4	15	30	33,5	40	47	7,5	16	20/30/40/50	0,5
K0780.51061X	E	point steel	1	M6	10	13	14,5	4	-	24,5	4	15	30	33,5	40	47	7,5	16	20/30/40/50	0,8
K0780.52061X	E	point steel	2	M6	13,5	18	19,5	4	-	28,5	6,5	17,5	41,5	45,5	65	75	9,5	20	20/30/40/50/60	0,8
K0780.52081X	E	point steel	2	M8	13,5	18	19,5	5,5	-	28,5	6,5	17,5	41,5	45,5	65	75	9,5	20	20/30/40/50/60	1
K0780.52101X	E	point steel	2	M10	13,5	18	19,5	7	-	28,5	6,5	17,5	41,5	45,5	65	75	9,5	20	20/30/40/50/60	1,5
K0780.61051X	F	half-dog steel	1	M5	10	13	14,5	3	-	24,5	4	15	30	33,5	40	47	7,5	16	20,5/30,5/40,5/50,5	-
K0780.61061X	F	half-dog steel	1	M6	10	13	14,5	4	-	24,5	4	15	30	33,5	40	47	7,5	16	20,8/30,8/40,8/50,8	-
K0780.62061X	F	half-dog steel	2	M6	13,5	18	19,5	4	-	28,5	6,5	17,5	41,5	45,5	65	75	9,5	20	20,8/30,8/40,8/50,8/60,8	-
K0780.62081X	F	half-dog steel	2	M8	13,5	18	19,5	5,5	-	28,5	6,5	17,5	41,5	45,5	65	75	9,5	20	20,8/30,8/40,8/50,8/60,8	-

K0175

Clamping levers non-adjustable



Material:

Handle fibreglass reinforced plastic.
Steel parts grade 5.8.

Version:

Handle black grey, steel parts blue passivated.

Sample order:

K0175.105X20 (include length L)

Note:

Non-adjustable clamping levers can be used for simple applications. Generally, there must be enough space so that the lever can be rotated through 360°.

On request:

Special versions.

Clamping levers non-adjustable



KIPP Non-adjustable clamping levers with internal thread

Order No.	Version	Size	X	T	D1	D2	H	H1	H2	A	A1	B
K0175.104000	internal thread	1	M4	10	13,8	14	17	11	27	40	47	8
K0175.105000	internal thread	1	M5	10	13,8	14	17	11	27	40	47	8
K0175.106000	internal thread	1	M6	10	13,8	14	17	11	27	40	47	8
K0175.208000	internal thread	2	M8	14	18,3	18,5	18	11	36,5	65	75	9
K0175.310000	internal thread	3	M10	14	21,8	22	22	14	45	80	91	11
K0175.412000	internal thread	4	M12	18	25,8	26	26	17	54	95	108	13
K0175.516000	internal thread	5	M16	18	30,8	31	31	21	63	110	126	16

KIPP Non-adjustable clamping levers with external thread

Order No.	Version	Size	X	D1	D2	H	H1	H2	A	A1	B	L
K0175.105X	external thread	1	M5	13,8	14	17	11	27	40	47	8	20
K0175.106X	external thread	1	M6	13,8	14	17	11	27	40	47	8	20
K0175.208X	external thread	2	M8	18,3	18,5	18	11	36,5	65	75	9	15/20/30
K0175.310X	external thread	3	M10	21,8	22	22	14	45	80	91	11	30
K0175.412X	external thread	4	M12	25,8	26	26	17	54	95	108	13	30
K0175.516X	external thread	5	M16	30,8	31	31	21	63	110	126	16	40

KIPP Non-adjustable clamping levers with reamed hole

Order No.	Version	Size	X	T1	D1	D2	H	H1	H2	A	A1	B
K0175.106001	reamed hole	1	6	10	13,8	14	17	11	27	40	47	8
K0175.208001	reamed hole	2	8	14	18,3	18,5	18	11	36,5	65	75	9
K0175.310001	reamed hole	3	10	14	21,8	22	22	14	45	80	91	11
K0175.412001	reamed hole	4	12	18	25,8	26	26	17	54	95	108	13
K0175.516001	reamed hole	5	16	18	30,8	31	31	21	63	110	126	16

KIPP Non-adjustable clamping levers with square socket

Order No.	Version	Size	S	T2	D1	D2	H	H1	H2	A	A1	B
K0175.105002	square socket	1	5	13	13,8	14	17	11	27	40	47	8
K0175.206002	square socket	2	6	16	18,3	18,5	18	11	36,5	65	75	9
K0175.308002	square socket	3	8	18	21,8	22	22	14	45	80	91	11
K0175.410002	square socket	4	10	20	25,8	26	26	17	54	95	108	13