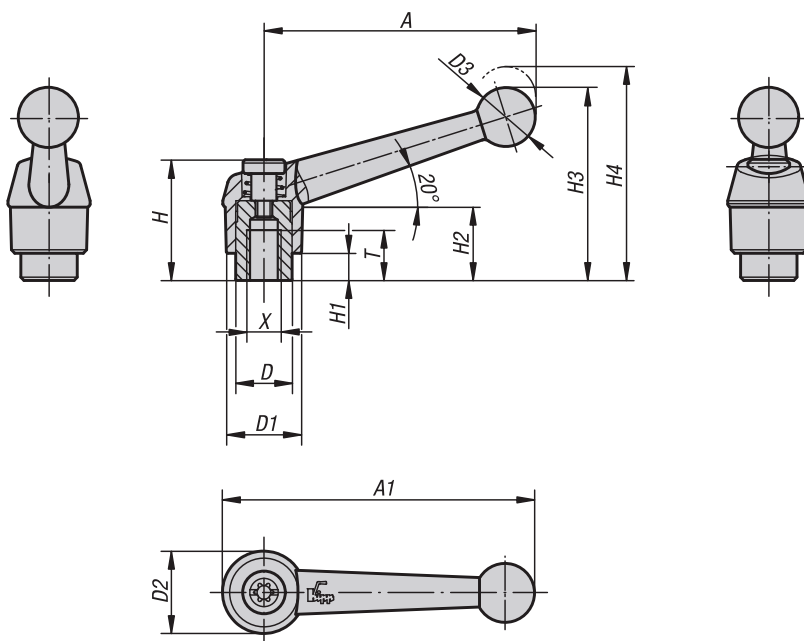


Clamping levers

internal thread



Material:

Handle die-cast zinc DIN EN 12844.
Steel parts grade 5.8.

Version:

Handle plastic-coated,
steel parts black oxidised.

Sample order:

K0116.4103

Note:

Standard colours are:
black satin finish, silver metallic.

On request:

Other internal threads, colours and special versions.
Dimension "H1" available in other lengths at extra charge.



KIPP Clamping levers with internal thread

Order No. Black satin finish	Order No. Silver metallic	Size	X	T	D	D1	D2	D3	H	H1	H2	H3	H4	A	A1	No. of teeth
K0116.1041	K0116.1043	1	M4	9	10	13	14	10,5	24,5	4	15	32,5	35,5	39	46	16
K0116.1051	K0116.1053	1	M5	9	10	13	14	10,5	24,5	4	15	32,5	35,5	39	46	16
K0116.1061	K0116.1063	1	M6	9	10	13	14	10,5	24,5	4	15	32,5	35,5	39	46	16
K0116.2061	K0116.2063	2	M6	12	13,5	18	18,5	15,5	28,5	6,5	16,5	45,5	49,5	64	73	20
K0116.2081	K0116.2083	2	M8	12	13,5	18	18,5	15,5	28,5	6,5	16,5	45,5	49,5	64	73	20
K0116.3081	K0116.3083	3	M8	14	16	21	22	17	37	10	23	57,5	61,5	79	90	22
K0116.3101	K0116.3103	3	M10	14	16	21	22	17	37	10	23	57,5	61,5	79	90	22
K0116.4101	K0116.4103	4	M10	17	19	25	26	19	42,5	10	26	67	72	95	108	24
K0116.4121	K0116.4123	4	M12	17	19	25	26	19	42,5	10	26	67	72	95	108	24
K0116.5121	K0116.5123	5	M12	23	23	30	31	22	49	12	32	79	84	110	126	26

Clamping levers

external thread



Material:
Handle die-cast zinc DIN EN 12844.
Steel parts grade 5.8.

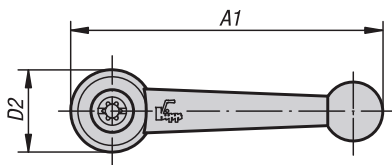
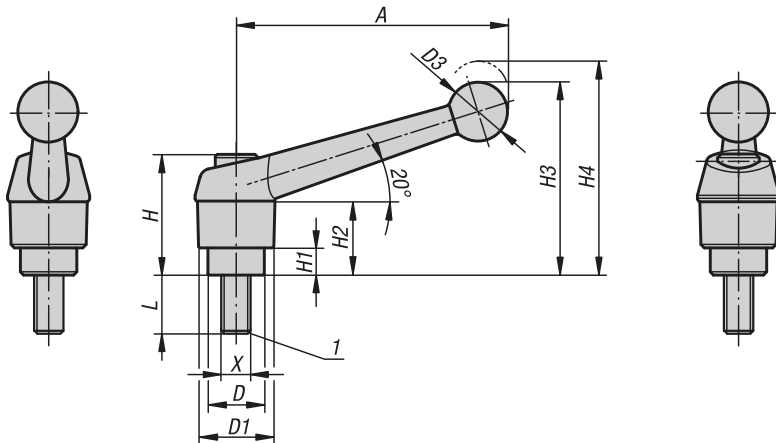
Version:
Handle plastic-coated.
Steel black oxidised.

Sample order:
K0116.1051X20 (include length L)

Note:
Standard colours are:
black satin finish, silver metallic.

On request:
Other external threads, screw lengths, colours and special versions.
Dimension "H1" available in other lengths at extra charge.

Drawing reference:
1) flat point DIN 78



KIPP Specifications

Size	X	D	D1	D2	D3	H	H1	H2	H3	H4	A	A1	No. of teeth
1	M5/M6	10	13	14	10,5	24,5	4	15	32,5	35,5	39	46	16
2	M6/M8/M10	13,5	18	18,5	15,5	28,5	6,5	16,5	45,5	49,5	64	73	20
3	M8/M10	16	21	22	17	37	10	23	57,5	61,5	79	90	22
4	M10/M12	19	25	26	19	42,5	10	26	67	72	95	108	24
5	M12/M16	23	30	31	22	49	12	32	79	84	110	126	26

KIPP Clamping levers with external thread

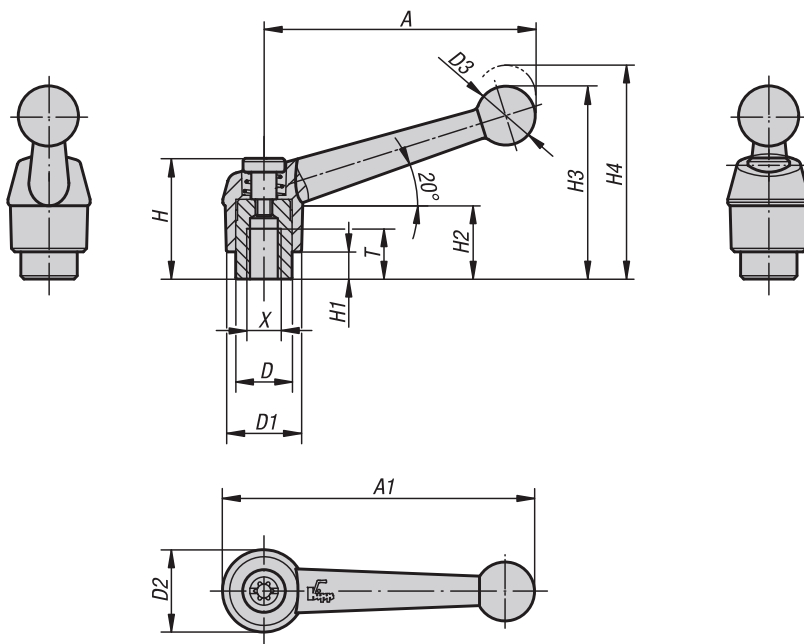
Order No. Black satin finish	Order No. Silver metallic	Size	X	L
K0116.1051X	K0116.1053X	1	M5	10/15/20/25/30/35/40/45/50
K0116.1061X	K0116.1063X	1	M6	10/15/20/25/30/35/40/45/50
K0116.2061X	K0116.2063X	2	M6	15/20/25/30/35/40/45/50/55/60
K0116.2081X	K0116.2083X	2	M8	15/20/25/30/35/40/45/50/55/60
K0116.2101X	K0116.2103X	2	M10	15/20/25/30/35/40/45/50/55/60
K0116.3081X	K0116.3083X	3	M8	15/20/25/30/35/40/45/50/55/60
K0116.3101X	K0116.3103X	3	M10	15/20/25/30/35/40/45/50/55/60
K0116.4101X	K0116.4103X	4	M10	20/25/30/35/40/45/50/55/60/70/80/90
K0116.4121X	K0116.4123X	4	M12	20/25/30/35/40/45/50/55/60/70/80/90
K0116.5121X	K0116.5123X	5	M12	25/30/35/40/45/50/55/60/70/80/90

K0117

**PUZZLE
ADVANCE**
CONFECCION DE ACCESÓRIOS INDUSTRIAIS

Clamping levers

internal thread, steel parts stainless steel



Material:

Handle die-cast zinc DIN EN 12844.
Steel parts stainless steel 1.4305.

Version:

Handle plastic-coated.
Steel parts bright.

Sample order:

K0117.2061

Note:

Standard colours are:
black satin finish, silver metallic.

On request:

Other internal threads, colours and special versions.
Dimension "H1" available in other lengths at extra charge.



KIPP Clamping levers with internal thread, steel parts stainless steel

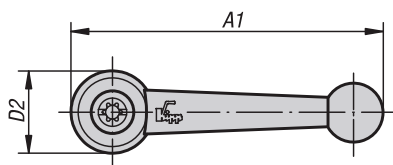
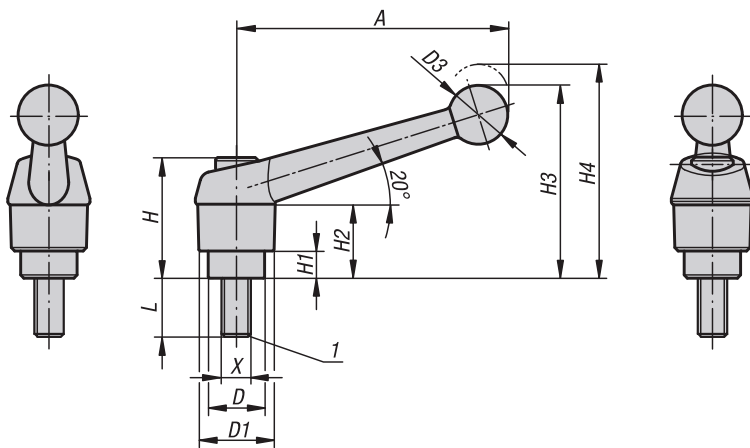
Order No. Black satin finish	Order No. Silver metallic	Size	X	T	D	D1	D2	D3	H	H1	H2	H3	H4	A	A1	No. of teeth
K0117.1041	K0117.1043	1	M4	9	10	13	14	10,5	24,5	4	15	32,5	35,5	39	46	16
K0117.1051	K0117.1053	1	M5	9	10	13	14	10,5	24,5	4	15	32,5	35,5	39	46	16
K0117.1061	K0117.1063	1	M6	9	10	13	14	10,5	24,5	4	15	32,5	35,5	39	46	16
K0117.2061	K0117.2063	2	M6	12	13,5	18	18,5	15,5	28,5	6,5	16,5	45,5	49,5	64	73	20
K0117.2081	K0117.2083	2	M8	12	13,5	18	18,5	15,5	28,5	6,5	16,5	45,5	49,5	64	73	20
K0117.3081	K0117.3083	3	M8	14	16	21	22	17	37	10	23	57,5	61,5	79	90	22
K0117.3101	K0117.3103	3	M10	14	16	21	22	17	37	10	23	57,5	61,5	79	90	22
K0117.4101	K0117.4103	4	M10	17	19	25	26	19	42,5	10	26	67	72	95	108	24
K0117.4121	K0117.4123	4	M12	17	19	25	26	19	42,5	10	26	67	72	95	108	24
K0117.5121	K0117.5123	5	M12	23	23	30	31	22	49	12	32	79	84	110	126	26

K0117

**PUZZLE
ADVANCE**
CONFECCION DE ACCESÓRIOS INDUSTRIAIS

Clamping levers

external thread, steel parts stainless steel



Material:

Handle die-cast zinc DIN EN 12844.
Steel parts stainless steel 1.4305.

Version:

Handle plastic-coated.
Stainless steel bright.

Sample order:

K0117.1051X20 (include length L)

Note:

Standard colours are:
black satin finish, silver metallic.

On request:

Other external threads, screw lengths, colours and special versions.
Dimension "H1" available in other lengths at extra charge.

Drawing reference:

1) flat point DIN 78

KIPP Specifications

Size	X	D	D1	D2	D3	H	H1	H2	H3	H4	A	A1	No. of teeth
1	M5/M6	10	13	14	10,5	24,5	4	15	32,5	35,5	39	46	16
2	M6/M8/M10	13,5	18	18,5	15,5	28,5	6,5	16,5	45,5	49,5	64	73	20
3	M8/M10	16	21	22	17	37	10	23	57,5	61,5	79	90	22
4	M12	19	25	26	19	42,5	10	26	67	72	95	108	24
5	M16	23	30	31	22	49	12	32	79	84	110	126	26

KIPP Clamping levers with external thread, steel parts stainless steel

Order No. Black satin finish	Order No. Silver metallic	Size	X	L
K0117.1051X	K0117.1053X	1	M5	10/15/20/25
K0117.1061X	K0117.1063X	1	M6	10/15/20/25/30/40/50
K0117.2061X	K0117.2063X	2	M6	15/20/25/30/40/50/60
K0117.2081X	K0117.2083X	2	M8	15/20/25/30/40/50/60
K0117.2101X	K0117.2103X	2	M10	20/25/30/40/50/60
K0117.3081X	K0117.3083X	3	M8	20/25/30/40/50/60
K0117.3101X	K0117.3103X	3	M10	20/25/30/40/50/60
K0117.4121X	K0117.4123X	4	M12	25/30/40/50/60

Clamping levers steel

internal thread



Material:

Handle 1.0401.
All other steel parts grade 5.8.

Version:

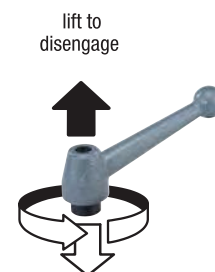
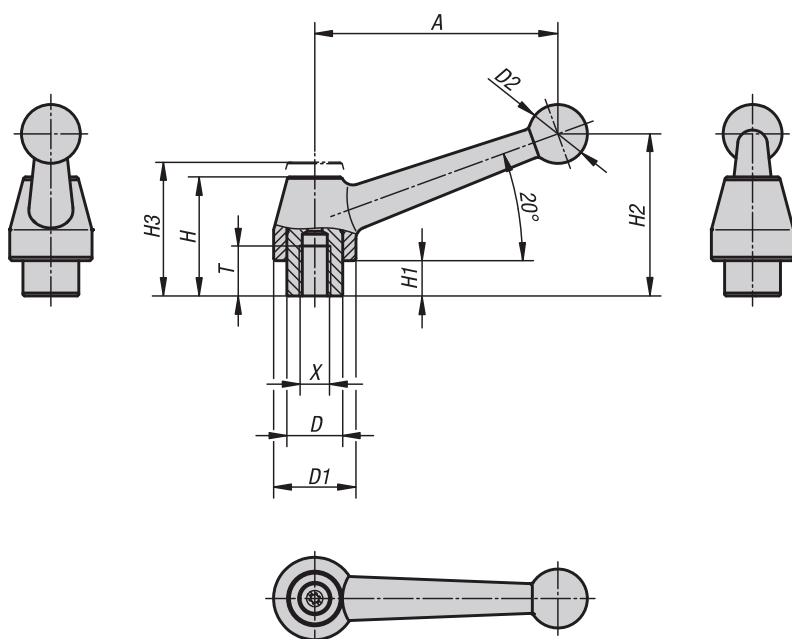
Handle painted silver-grey hammertone.
Steel parts black oxidised.

Sample order:

K0120.108

On request:

Other internal threads and special versions.
Dimension "H1" available in other lengths at extra charge.



KIPP Clamping levers with internal thread

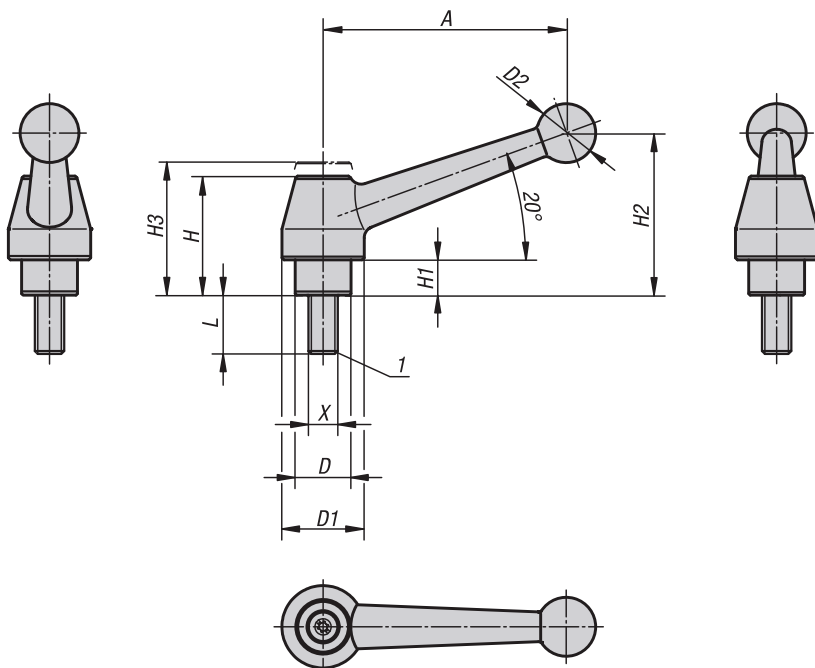
Order No.	Main material	Size	X	T	D	D1	D2	H	H1	H2	H3	A	No. of teeth
K0120.108	steel	1	M8	17	19	28	20	41	12	54	49	83	24
K0120.110	steel	1	M10	17	19	28	20	41	12	54	49	83	24
K0120.112	steel	1	M12	17	19	28	20	41	12	54	49	83	24
K0120.212	steel	2	M12	23	23	35	25	50	12	69	56	108	26
K0120.216	steel	2	M16	23	23	35	25	50	12	69	56	108	26
K0120.316	steel	3	M16	27	30	43	30	58,5	12	78	65	132	36

K0120

**PUZZLE
ADVANCE**
CONFECCION DE ACCESORIOS INDUSTRIALES

Clamping levers steel

external thread



Material:

Handle 1.0401.
All other steel parts grade 5.8.

Version:

Handle painted silver-grey hammertone.
Steel parts black oxidised.

Sample order:

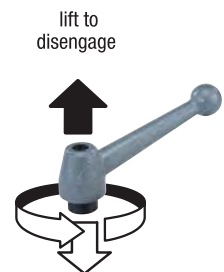
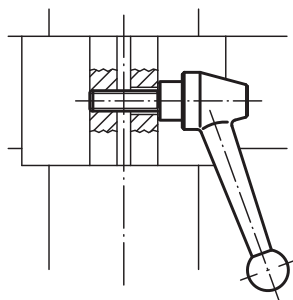
K0120.110X30 (include length L)

On request:

Other external threads, screw lengths and special versions.
Dimension "H1" available in other lengths at extra charge.

Drawing reference:

1) flat point DIN 78



KIPP Clamping levers with external thread

Order No.	Main material	Size	X	D	D1	D2	H	H1	H2	H3	A	No. of teeth	L
K0120.110X	steel	1	M10	19	28	20	41	12	54	49	83	24	20/25/30/35/40/45/50/55/60/70/80/90
K0120.112X	steel	1	M12	19	28	20	41	12	54	49	83	24	20/25/30/35/40/45/50/55/60/70/80/90
K0120.212X	steel	2	M12	23	35	25	50	12	69	56	108	26	25/30/35/40/45/50/55/60/70/80/90
K0120.216X	steel	2	M16	23	35	25	50	12	69	56	108	26	25/30/35/40/45/50/55/60/70/80/90
K0120.316X	steel	3	M16	30	43	30	58,5	12	78	65	132	36	30/40/50/60/70/80/90

K0121

**PUZZLE
ADVANCE**
CONJUNTO DE ACCESÓRIOS INDUSTRIAIS

Clamping levers stainless steel

internal thread



Material:

Handle stainless steel 1.4308.
All other metal parts stainless steel 1.4305

Version:

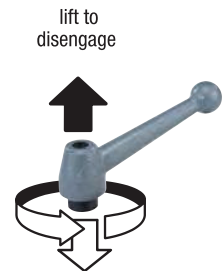
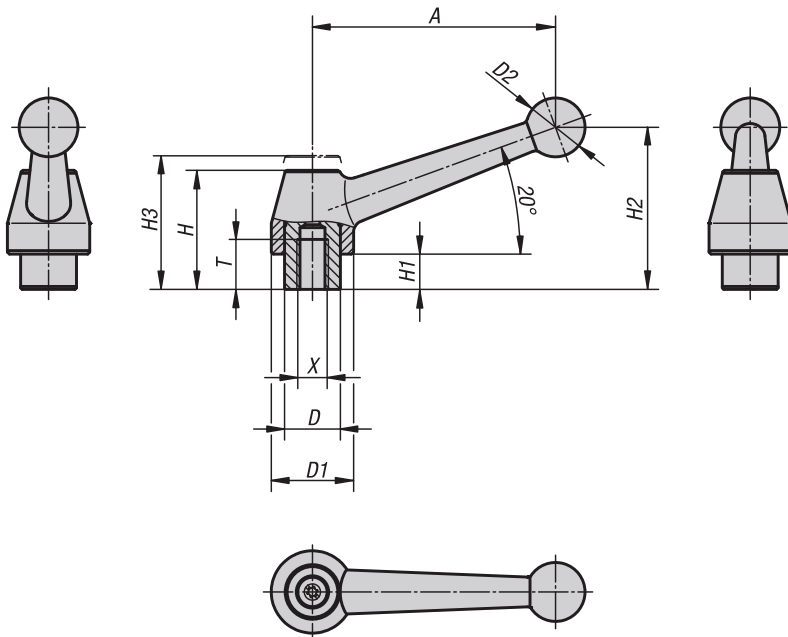
Handle stainless steel electrolytic polished.
Steel parts bright.

Sample order:

K0121.1108

On request:

Other internal threads and special versions.
Dimension "H1" available in other lengths at extra charge.



KIPP Clamping levers with internal thread, stainless steel

Order No.	Main material	Size	X	T	D	D1	D2	H	H1	H2	H3	A	No. of teeth
K0121.1108	stainless steel	1	M8	17	19	28	20	41	12	54	49	83	24
K0121.1110	stainless steel	1	M10	17	19	28	20	41	12	54	49	83	24

K0121

Clamping levers stainless steel

external thread



Material:

Handle stainless steel 1.4308.
All other metal parts stainless steel 1.4305

Version:

Handle stainless steel electrolytic polished.
Steel parts bright.

Sample order:

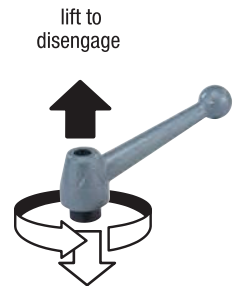
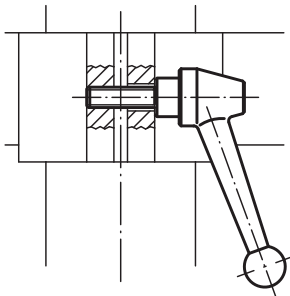
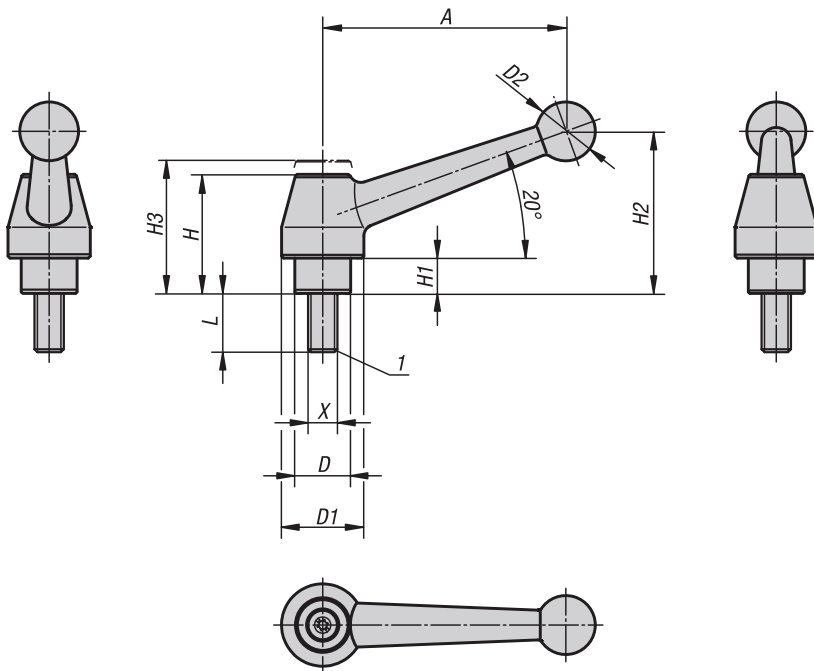
K0121.1110X30 (include length L)

On request:

Other external threads, screw lengths and special versions.
Dimension "H1" available in other lengths at extra charge.

Drawing reference:

1) flat point DIN 78



KIPP Clamping levers with external thread, stainless steel

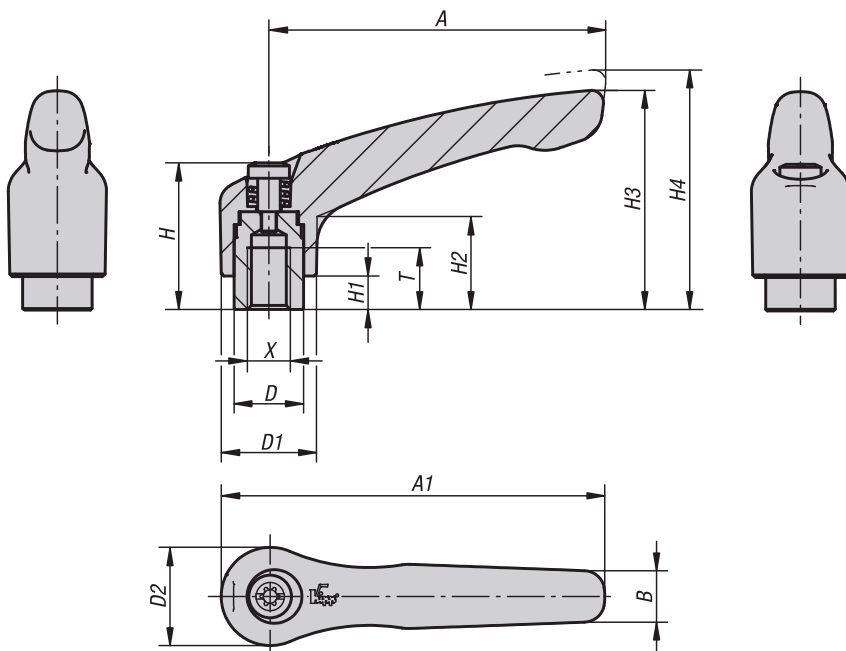
Order No.	Main material	Size	X	D	D1	D2	H	H1	H2	H3	A	No. of teeth	L
K0121.1110X	stainless steel	1	M10	19	28	20	41	12	54	49	83	24	25/30/40/50/60

K0752

**PUZZLE
ADVANCE**
CONJUNTO DE ACCESÓRIOS INDUSTRIAIS

Clamping levers steel

internal thread



Material:

Handle 1.0401.
All other steel parts grade 5.8.

Version:

Handle plastic-coated, fine-textured structure.
Steel parts black oxidised.

Sample order:

K0752.1051

Note:

Standard colours are:
black or ruby red RAL 3003.

lift to
disengage



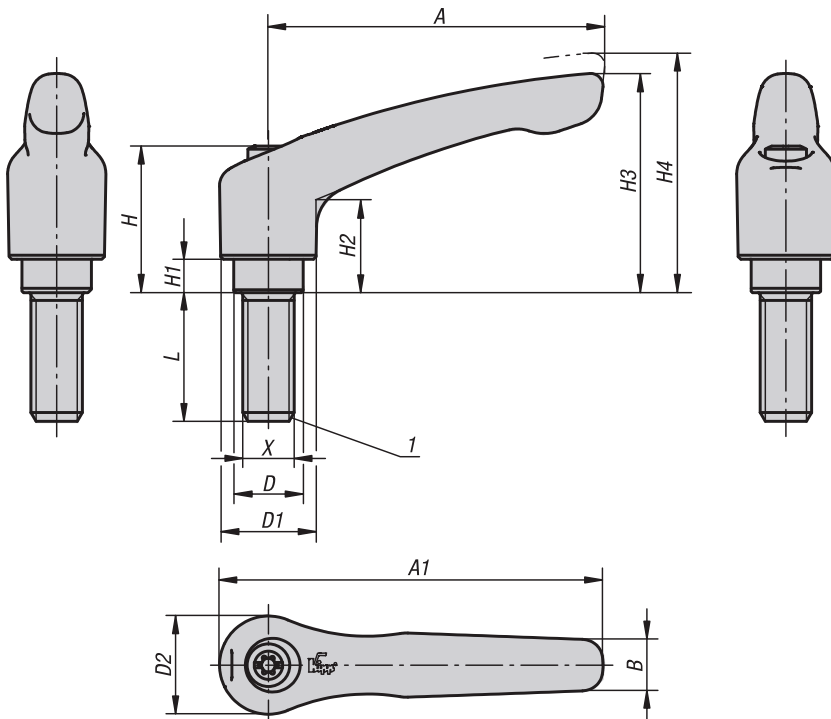
KIPP Clamping levers with internal thread

Order No. black	Order No. red RAL 3003	Size	X	T	D	D1	D2	H	H1	H2	H3	H4	A	A1	B	No. of teeth
K0752.1041	K0752.10427	1	M4	9	10	13	14	24,5	4	14,5	31	34	40	47	7	16
K0752.1051	K0752.10527	1	M5	9	10	13	14	24,5	4	14,5	31	34	40	47	7	16
K0752.1061	K0752.10627	1	M6	9	10	13	14	24,5	4	14,5	31	34	40	47	7	16
K0752.2061	K0752.20627	2	M6	12	13,5	18,5	19	28,5	6,5	17,5	42,5	45,5	65	74,5	10	20
K0752.2081	K0752.20827	2	M8	12	13,5	18,5	19	28,5	6,5	17,5	42,5	45,5	65	74,5	10	20
K0752.3081	K0752.30827	3	M8	14	16	21	22	37	10	24	54,5	58,5	80	91	11	22
K0752.3101	K0752.31027	3	M10	14	16	21	22	37	10	24	54,5	58,5	80	91	11	22
K0752.4101	K0752.41027	4	M10	17	19	27	27,5	43	10	27	63	67,5	95	109	13	24
K0752.4121	K0752.41227	4	M12	17	19	27	27,5	43	10	27	63	67,5	95	109	13	24
K0752.5121	K0752.51227	5	M12	23	23	31	32	49	12	31,5	73	77,5	110	126	15	26

K0752

Clamping levers steel

external thread

**Material:**

Handle 1.0401.

All other steel parts grade 5.8.

Version:

Handle plastic-coated, fine-textured structure.

Steel parts black oxidised.

Sample order:

K0752.1051X20

Note:

Standard colours are:
black or ruby red RAL 3003.

Drawing reference:

1) flat point DIN 78

lift to
disengage



KIPP Specifications

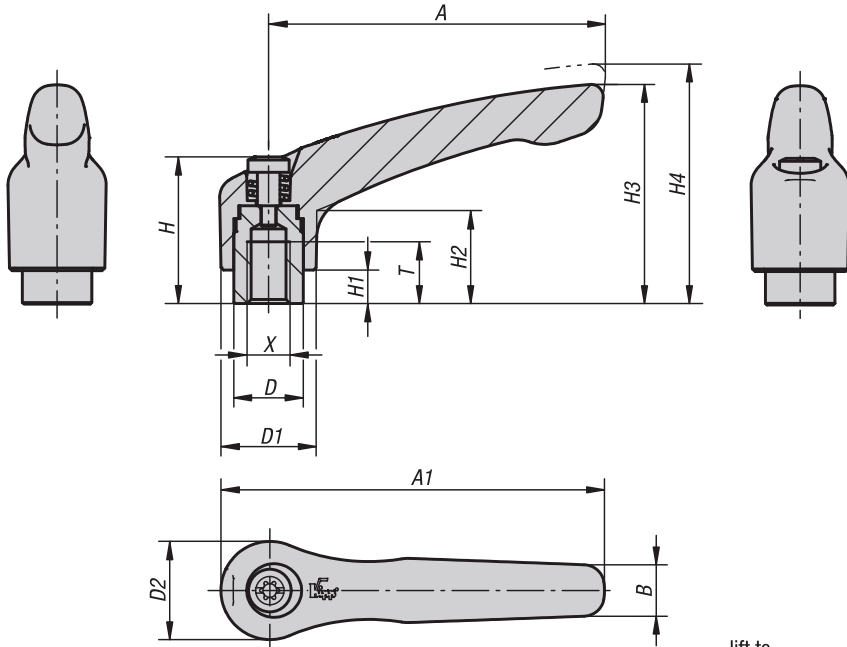
Size	X	D	D1	D2	H	H1	H2	H3	H4	A	A1	B	No. of teeth
1	M5/M6	10	13	14	24,5	4	14,5	31	34	40	47	7	16
2	M6/M8/M10	13,5	18,5	19	28,5	6,5	17,5	42,5	45,5	65	74,5	10	20
3	M8/M10	16	21	22	37	10	24	54,5	58,5	80	91	11	22
4	M10/M12	19	27	27,5	43	10	27	63	67,5	95	109	13	24
5	M12/M16	23	31	32	49	12	31,5	73	77,5	110	126	15	26

KIPP Clamping levers with external thread

Order No. black	Order No. red RAL 3003	Size	X	L
K0752.1051X	K0752.10527X	1	M5	10/15/20/25/30/35/40/45/50
K0752.1061X	K0752.10627X	1	M6	10/15/20/25/30/35/40/45/50
K0752.2061X	K0752.20627X	2	M6	15/20/25/30/35/40/45/50/55/60
K0752.2081X	K0752.20827X	2	M8	15/20/25/30/35/40/45/50/55/60
K0752.2101X	K0752.21027X	2	M10	15/20/25/30/35/40/45/50/55/60
K0752.3081X	K0752.30827X	3	M8	15/20/25/30/35/40/45/50/55/60
K0752.3101X	K0752.31027X	3	M10	15/20/25/30/35/40/45/50/55/60
K0752.4101X	K0752.41027X	4	M10	20/25/30/35/40/45/50/55/60/70/80/90
K0752.4121X	K0752.41227X	4	M12	20/25/30/35/40/45/50/55/60/70/80/90
K0752.5121X	K0752.51227X	5	M12	25/30/35/40/45/50/55/60/70/80/90

Clamping levers

internal thread



Material:
Handle die-cast zinc DIN EN 12844.
Steel parts grade 5.8.

Version:
Handle plastic-coated or high-gloss chromed.
Steel parts black oxidised.

Sample order:
K0122.1041

Note:
Δ Add the desired lever colour here.
Standard colours are:
black satin finish, orange RAL 2004, ruby red RAL 3003, silver metallic, high gloss chromed.
Where $L \geq 60$ mm the thread length is 60 mm.

On request:
Other internal threads, colours and special versions.
Dimension "H1" available in other lengths at extra charge.

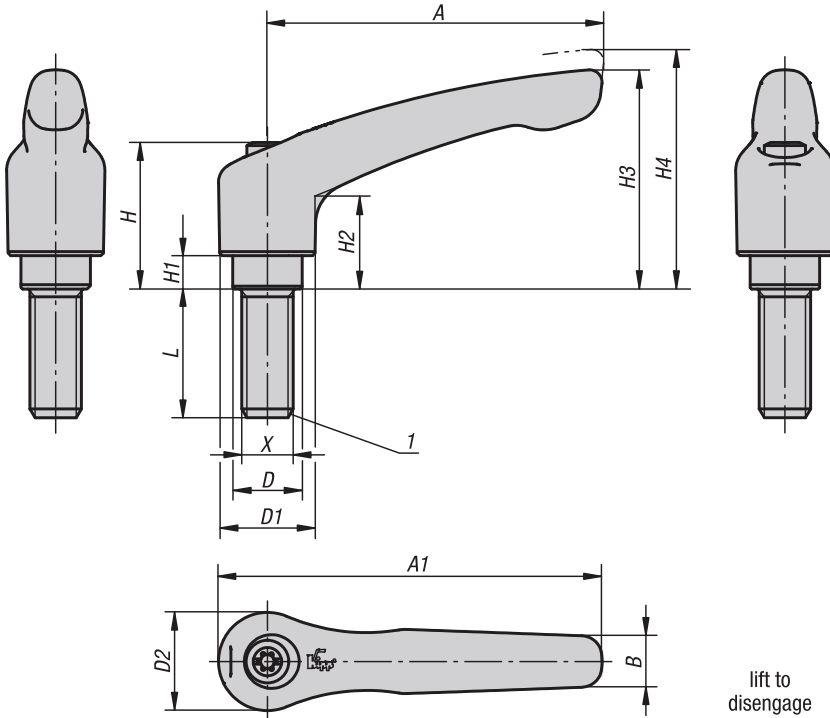


KIPP Clamping levers with internal thread

Order No.	Size	X	T	D	D1	D2	H	H1	H2	H3	H4	A	A1	B	No. of teeth
K0122.003Δ	0	M3	9	10	13	14	24,5	4	14,5	30	33	30	37	7	16
K0122.004Δ	0	M4	9	10	13	14	24,5	4	14,5	30	33	30	37	7	16
K0122.005Δ	0	M5	9	10	13	14	24,5	4	14,5	30	33	30	37	7	16
K0122.104Δ	1	M4	9	10	13	14	24,5	4	14,5	31	34	40	47	7	16
K0122.105Δ	1	M5	9	10	13	14	24,5	4	14,5	31	34	40	47	7	16
K0122.106Δ	1	M6	9	10	13	14	24,5	4	14,5	31	34	40	47	7	16
K0122.206Δ	2	M6	12	13,5	18,5	19	28,5	6,5	17,5	42,5	45,5	65	74,5	9,5	20
K0122.208Δ	2	M8	12	13,5	18,5	19	28,5	6,5	17,5	42,5	45,5	65	74,5	9,5	20
K0122.308Δ	3	M8	14	16	21	22	37	10	24	54,5	58,5	80	91	11	22
K0122.310Δ	3	M10	14	16	21	22	37	10	24	54,5	58,5	80	91	11	22
K0122.410Δ	4	M10	17	19	27	27,5	43	10	27	63	67,5	95	109	13	24
K0122.412Δ	4	M12	17	19	27	27,5	43	10	27	63	67,5	95	109	13	24
K0122.512Δ	5	M12	23	23	31	32	49	12	31,5	73	77,5	110	126	15	26

Clamping levers

external thread



Material:

Handle die-cast zinc DIN EN 12844.
Steel parts grade 5.8.

Version:

Handle plastic-coated or high-gloss chromed.
Steel parts black oxidised.

Sample order:

K0122.0041X10 (clamping lever, black satin finish;
include length L)

Note:

Δ Add the desired lever colour here.
Standard colours are:
black satin finish, orange RAL 2004, ruby red RAL 3003, silver metallic, high gloss chromed.
Where L ≥ 60 mm the thread length is 60 mm.

On request:

Other external threads, screw lengths, colours and special versions.
Dimension "H1" available in other lengths at extra charge.

Drawing reference:

1) flat point DIN 78

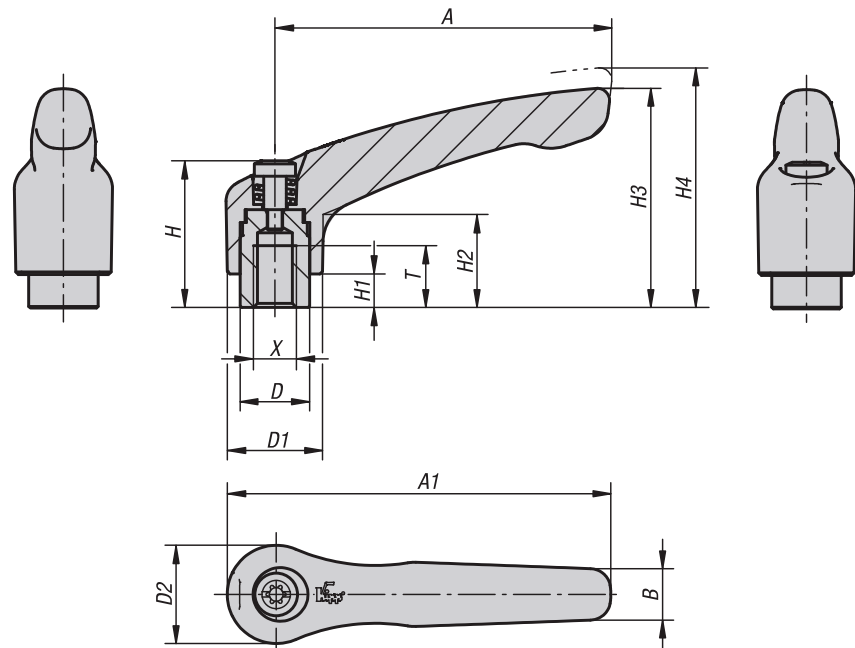


KIPP Clamping levers with external thread

Order No.	Size	X	D	D1	D2	H	H1	H2	H3	H4	A	A1	B	L	No. of teeth
K0122.004ΔX	0	M4	10	13	14	24,5	4	14,5	30	33	30	37	7	10/15/20/25/30/35/40/45/50	16
K0122.005ΔX	0	M5	10	13	14	24,5	4	14,5	30	33	30	37	7	10/15/20/25/30/35/40/45/50	16
K0122.105ΔX	1	M5	10	13	14	24,5	4	14,5	31	34	40	47	7	10/15/20/25/30/35/40/45/50	16
K0122.106ΔX	1	M6	10	13	14	24,5	4	14,5	31	34	40	47	7	10/15/20/25/30/35/40/45/50	16
K0122.206ΔX	2	M6	13,5	18,5	19	28,5	6,5	17,5	42,5	45,5	65	74,5	9,5	15/20/25/30/35/40/45/50/55/60	20
K0122.208ΔX	2	M8	13,5	18,5	19	28,5	6,5	17,5	42,5	45,5	65	74,5	9,5	15/20/25/30/35/40/45/50/55/60	20
K0122.210ΔX	2	M10	13,5	18,5	19	28,5	6,5	17,5	42,5	45,5	65	74,5	9,5	15/20/25/30/35/40/45/50/55/60	20
K0122.308ΔX	3	M8	16	21	22	37	10	24	54,5	58,5	80	91	11	15/20/25/30/35/40/45/50/55/60	22
K0122.310ΔX	3	M10	16	21	22	37	10	24	54,5	58,5	80	91	11	15/20/25/30/35/40/45/50/55/60	22
K0122.410ΔX	4	M10	19	27	27,5	43	10	27	63	67,5	95	109	13	20/25/30/35/40/45/50/55/60/70/80/90	24
K0122.412ΔX	4	M12	19	27	27,5	43	10	27	63	67,5	95	109	13	20/25/30/35/40/45/50/55/60/70/80/90	24
K0122.512ΔX	5	M12	23	31	32	49	12	31,5	73	77,5	110	126	15	25/30/35/40/45/50/55/60/70/80/90	26

Clamping levers

internal thread, steel parts stainless steel



Material:

Handle die-cast zinc DIN EN 12844.
Steel parts stainless steel 1.4305.

Version:

Handle plastic-coated or high-gloss chromed.
Steel parts bright.

Sample order:

K0123.1051 (clamping lever, black satin finish)

Note:

Δ Add the desired lever colour here.
Standard colours are:
black satin finish, orange RAL 2004, ruby red RAL 3003, silver metallic, high gloss chromed.
Where L ≥ 60 mm the thread length is 60 mm.

On request:

Other internal threads, colours and special versions.
Dimension "H1" available in other lengths at extra charge.

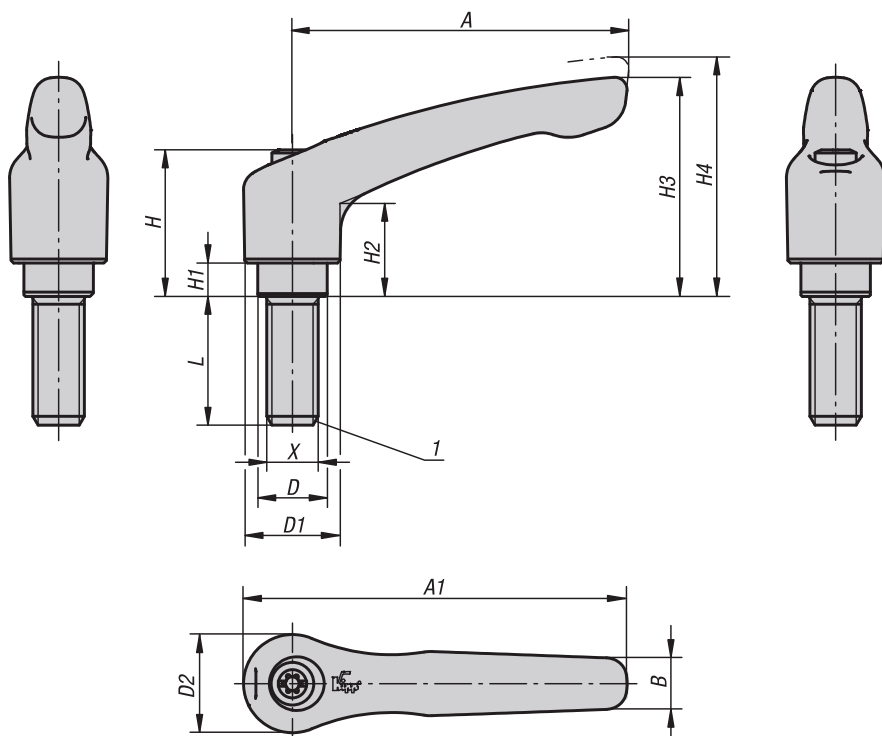


KIPP Clamping levers with internal thread, steel parts stainless steel

Order No.	Size	X	T	D	D1	D2	H	H1	H2	H3	H4	A	A1	B	No. of teeth
K0123.003Δ	0	M3	9	10	13	14	24,5	4	14,5	30	33	30	37	7	16
K0123.004Δ	0	M4	9	10	13	14	24,5	4	14,5	30	33	30	37	7	16
K0123.005Δ	0	M5	9	10	13	14	24,5	4	14,5	30	33	30	37	7	16
K0123.104Δ	1	M4	9	10	13	14	24,5	4	14,5	31	34	40	47	7	16
K0123.105Δ	1	M5	9	10	13	14	24,5	4	14,5	31	34	40	47	7	16
K0123.106Δ	1	M6	9	10	13	14	24,5	4	14,5	31	34	40	47	7	16
K0123.206Δ	2	M6	12	13,5	18,5	19	28,5	6,5	17,5	42,5	45,5	65	74,5	9,5	20
K0123.208Δ	2	M8	12	13,5	18,5	19	28,5	6,5	17,5	42,5	45,5	65	74,5	9,5	20
K0123.308Δ	3	M8	14	16	21	22	37	10	24	54,5	58,5	80	91	11	22
K0123.310Δ	3	M10	14	16	21	22	37	10	24	54,5	58,5	80	91	11	22
K0123.410Δ	4	M10	17	19	27	27,5	43	10	27	63	67,5	95	109	13	24
K0123.412Δ	4	M12	17	19	27	27,5	43	10	27	63	67,5	95	109	13	24
K0123.512Δ	5	M12	23	23	31	32	49	12	31,5	73	77,5	110	126	15	26

Clamping levers

external thread, steel parts stainless steel



Material:

Handle die-cast zinc DIN EN 12844.
Steel parts stainless steel 1.4305.

Version:

Handle plastic-coated or high-gloss chromed.
Steel parts bright.

Sample order:

K0123.1051X25 (clamping lever, black satin finish;
include length L)

Note:

Δ Add the desired lever colour here.
Standard colours are:
black satin finish, orange RAL 2004, ruby red RAL 3003, silver metallic, high gloss chromed.
Where L ≥ 60 mm the thread length is 60 mm.

On request:

Other external threads, screw lengths, colours and special versions.
Dimension "H1" available in other lengths at extra charge.

Drawing reference:

1) flat point DIN 78



KIPP Clamping levers with external thread, steel parts stainless steel

Order No.	Size	X	D	D1	D2	H	H1	H2	H3	H4	A	A1	B	L	No. of teeth
K0123.004ΔX	0	M4	10	13	14	24,5	4	14,5	30	33	30	37	7	10/15/20/25	16
K0123.005ΔX	0	M5	10	13	14	24,5	4	14,5	30	33	30	37	7	10/15/20/25	16
K0123.105ΔX	1	M5	10	13	14	24,5	4	14,5	31	34	40	47	7	10/15/20/25	16
K0123.106ΔX	1	M6	10	13	14	24,5	4	14,5	31	34	40	47	7	10/15/20/25/30/40/50	16
K0123.206ΔX	2	M6	13,5	18,5	19	28,5	6,5	17,5	42,5	45,5	65	74,5	9,5	15/20/25/30/40/50/60	20
K0123.208ΔX	2	M8	13,5	18,5	19	28,5	6,5	17,5	42,5	45,5	65	74,5	9,5	15/20/25/30/40/50/60	20
K0123.210ΔX	2	M10	13,5	18,5	19	28,5	6,5	17,5	42,5	45,5	65	74,5	9,5	20/25/30/40/50/60	20
K0123.308ΔX	3	M8	16	21	22	37	10	24	54,5	58,5	80	91	11	20/25/30/40/50/60	22
K0123.310ΔX	3	M10	16	21	22	37	10	24	54,5	58,5	80	91	11	20/25/30/40/50/60	22
K0123.412ΔX	4	M12	19	27	27,5	43	10	27	63	67,5	95	109	13	25/30/40/50/60	24

Clamping levers with protective cap

internal thread



Material:

Handle die-cast zinc DIN EN 12844.
Steel parts grade 5.8.
Protective cap stainless steel 1.4305.

Version:

Handle plastic-coated.
Steel parts black oxidised.
Protective cap stainless steel, bright.

Sample order:

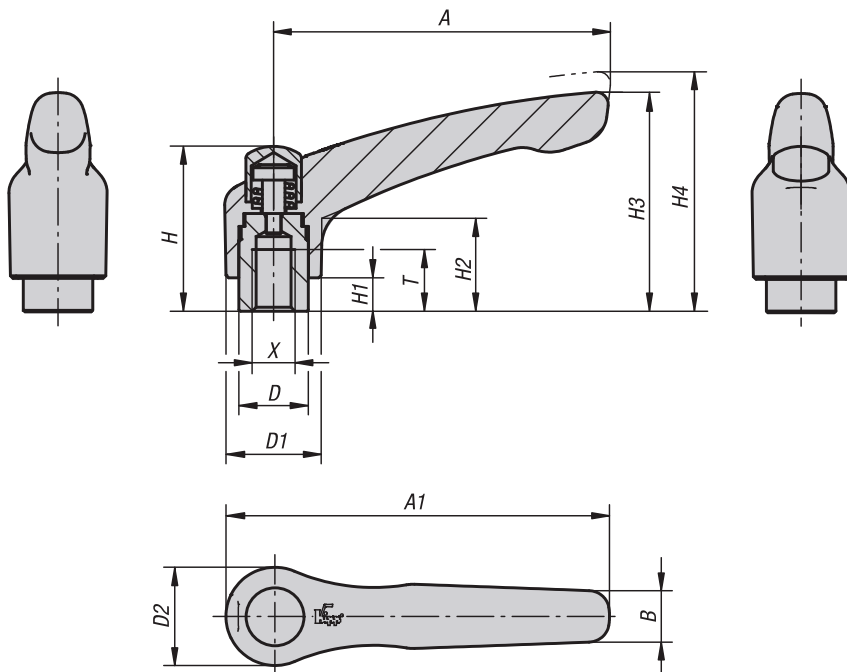
K0122.92081

Note:

Standard colours are:
black satin finish, orange RAL 2004.

On request:

Other internal threads, colours and special versions.
Dimension "H1" available in other lengths at extra charge.

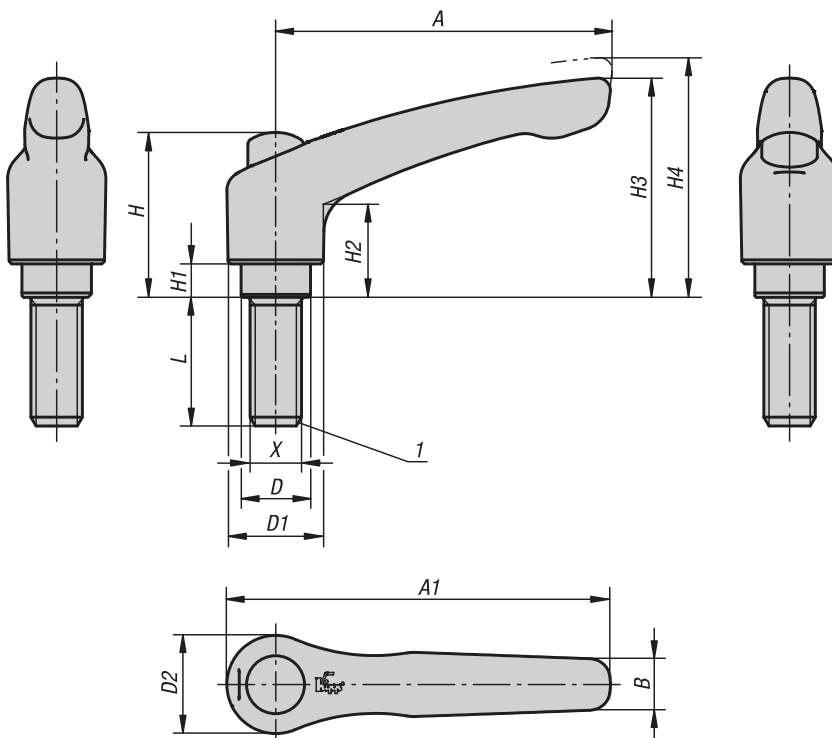


KIPP Clamping levers with protective cap, internal thread

Order No. Black satin finish	Order No. Pure orange RAL 2004	Size	X	T	D	D1	D2	H	H1	H2	H3	H4	A	A1	B	No. of teeth
K0122.92061	K0122.92062	2	M6	12	13,5	18,5	19	32	6,5	17,5	42,5	45,5	65	74,5	9,5	20
K0122.92081	K0122.92082	2	M8	12	13,5	18,5	19	32	6,5	17,5	42,5	45,5	65	74,5	9,5	20
K0122.93081	K0122.93082	3	M8	14	16	21	22	41,5	10	24	54,5	58,5	80	91	11	22

Clamping levers with protective cap

external thread



Material:

Handle die-cast zinc DIN EN 12844.
Steel parts grade 5.8.
Protective cap stainless steel 1.4305.

Version:

Handle plastic-coated.
Steel parts black oxidised.
Protective cap stainless steel, bright.

Sample order:

K0122.92081X30 (include length L)

Note:

Standard colours are:
black satin finish, orange RAL 2004.
Where L is ≥ 60 mm the thread length is 60 mm.

On request:

Other external threads, screw lengths, colours and special versions.
Dimension "H1" available in other lengths at extra charge.

Drawing reference:

1) flat point DIN 78



KIPP Specifications

Size	X	D	D1	D2	H	H1	H2	H3	H4	A	A1	B	No. of teeth
2	M6/M8/M10	13,5	18,5	19	32	6,5	17,5	42,5	45,5	65	74,5	9,5	20
3	M8/M10	16	21	22	41,5	10	24	54,5	58,5	80	91	11	22

KIPP Clamping levers with protective cap, external thread

Order No. Black satin finish	Order No. Pure orange RAL 2004	Size	X	L
K0122.92061X	K0122.92062X	2	M6	15/20/25/30/35/40/45/50/55/60
K0122.92081X	K0122.92082X	2	M8	15/20/25/30/35/40/45/50/55/60
K0122.92101X	K0122.92102X	2	M10	15/20/25/30/35/40/45/50/55/60
K0122.93081X	K0122.93082X	3	M8	15/20/25/30/35/40/45/50/55/60

K0123

**PUZZLE
ADVANCE**
CONFECCION DE ACCESORIOS INDUSTRIALES

Clamping levers with protective cap

internal thread, steel parts stainless steel



Material:

Handle die-cast zinc DIN EN 12844.
Steel parts stainless steel 1.4305.
Protective cap stainless steel 1.4305.

Version:

Handle plastic-coated.
Steel parts bright.

Sample order:

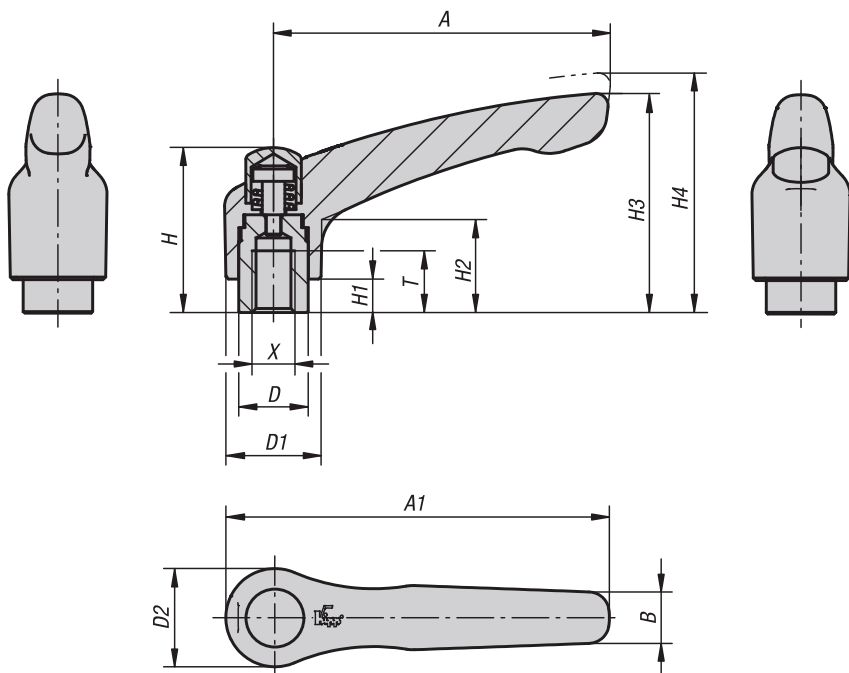
K0123.92081

Note:

Standard colours are:
black satin finish, orange RAL 2004.

On request:

Other internal threads, colours and special versions.
Dimension "H1" available in other lengths at extra charge.



lift to
disengage

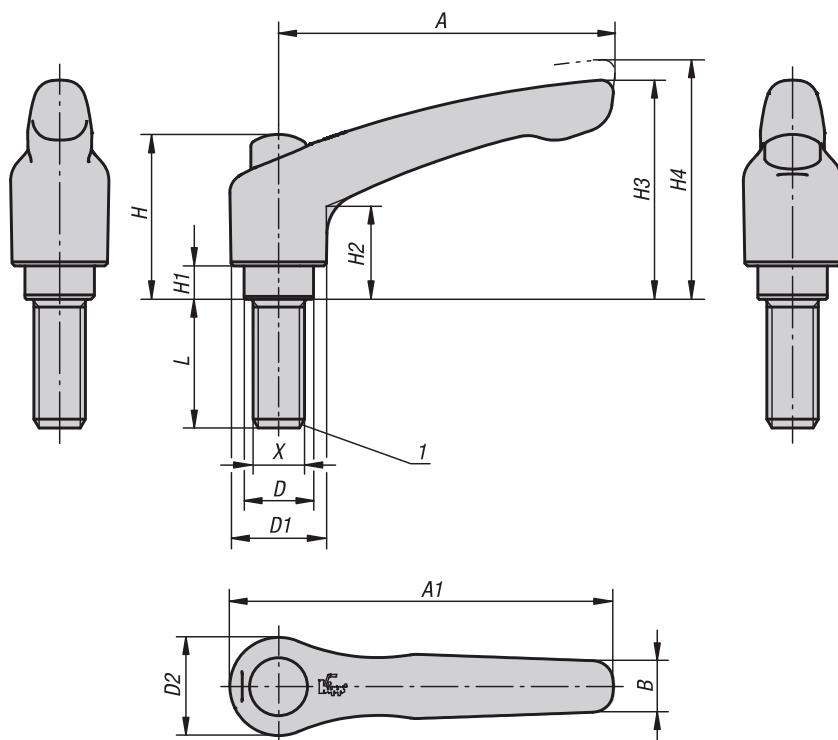


KIPP Clamping levers with protective cap, internal thread, steel parts stainless steel

Order No. Black satin finish	Order No. Pure orange RAL 2004	Size	X	T	D	D1	D2	H	H1	H2	H3	H4	A	A1	B	No. of teeth
K0123.92061	K0123.92062	2	M6	12	13,5	18,5	19	32	6,5	17,5	42,5	45,5	65	74,5	9,5	20
K0123.92081	K0123.92082	2	M8	12	13,5	18,5	19	32	6,5	17,5	42,5	45,5	65	74,5	9,5	20
K0123.93081	K0123.93082	3	M8	14	16	21	22	41,5	10	24	54,5	58,5	80	91	11	22

Clamping levers with protective cap

external thread, steel parts stainless steel



Material:

Handle die-cast zinc DIN EN 12844.
Steel parts stainless steel 1.4305.
Protective cap stainless steel 1.4305.

Version:

Handle plastic-coated.
Steel parts bright.

Sample order:

K0123.92081X30 (include length L)

Note:

Standard colours are:
black satin finish, orange RAL 2004.

On request:

Other external threads, screw lengths, colours and special versions.
Dimension "H1" available in other lengths at extra charge.

Drawing reference:

1) flat point DIN 78



KIPP Specifications

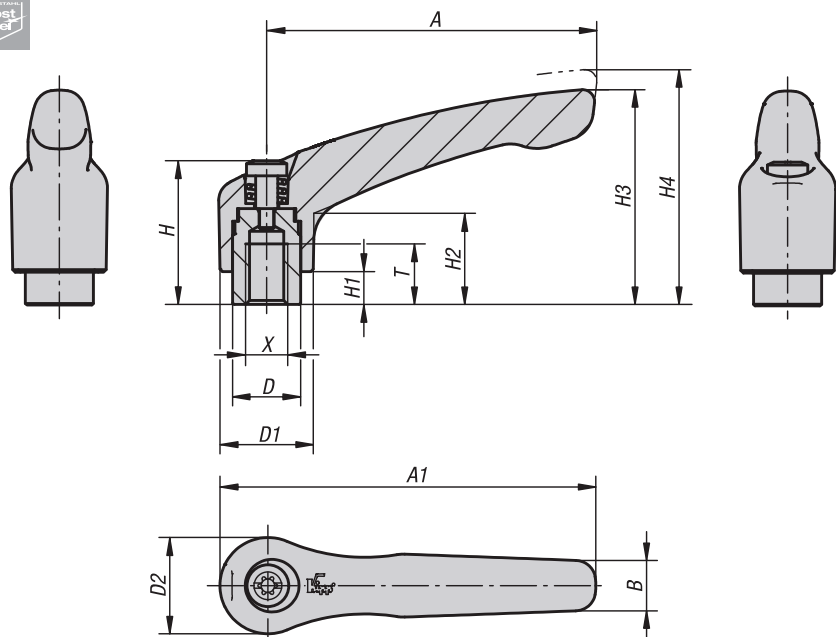
Size	X	D	D1	D2	H	H1	H2	H3	H4	A	A1	B	No. of teeth
2	M6/M8/M10	13,5	18,5	19	32	6,5	17,5	42,5	45,5	65	74,5	9,5	20
3	M8/M10	16	21	22	41,5	10	24	54,5	58,5	80	91	11	22

KIPP Clamping levers with protective cap, external thread, steel parts stainless steel

Order No. Black satin finish	Order No. Pure orange RAL 2004	Size	X	L
K0123.92061X	K0123.92062X	2	M6	15/20/25/30/40/50/60
K0123.92081X	K0123.92082X	2	M8	15/20/25/30/40/50/60
K0123.92101X	K0123.92102X	2	M10	20/25/30/40/50/60
K0123.93081X	K0123.93082X	3	M8	20/25/30/40/50/60

Clamping levers

internal thread, stainless steel



lift to
disengage



Material:

Handle investment cast 1.4308.
Other steel parts 1.4305.

Version:

Handle electropolished or blasted.
Metal parts bright.

Sample order:

K0124.105

On request:

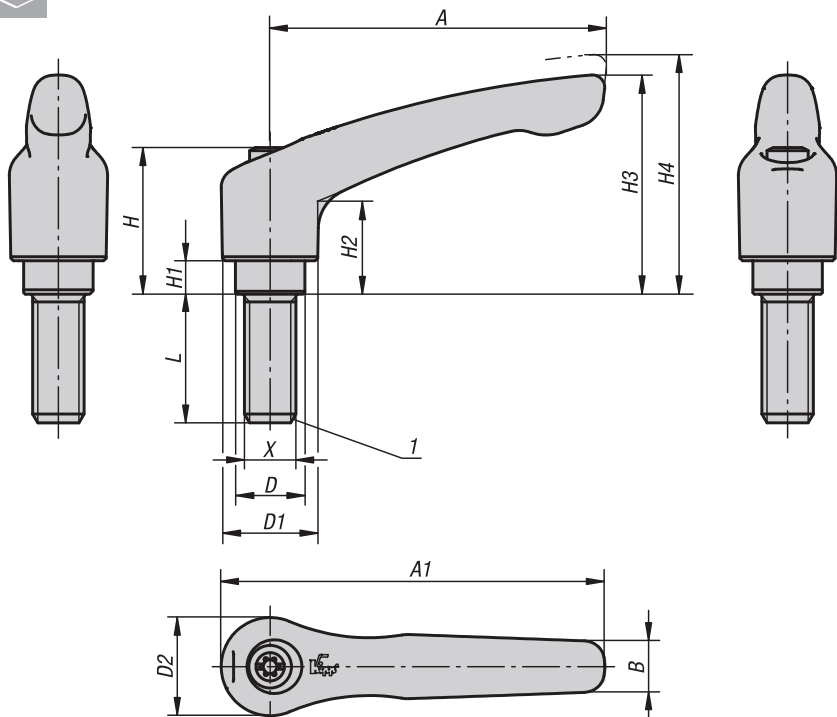
Other internal threads and special versions.
Dimension "H1" available in other lengths at extra charge.

KIPP Clamping levers with internal thread, stainless steel

Order No.	Version	Size	X	T	D	D1	D2	H	H1	H2	H3	H4	A	A1	B	No. of teeth
K0124.104	polished	1	M4	9	10	13	14	24,5	4	14,5	31	34	40	47	7	16
K0124.105	polished	1	M5	9	10	13	14	24,5	4	14,5	31	34	40	47	7	16
K0124.106	polished	1	M6	9	10	13	14	24,5	4	14,5	31	34	40	47	7	16
K0124.206	polished	2	M6	12	13,5	18,5	19	28,5	6,5	17,5	42,5	45,5	65	74,5	10	20
K0124.208	polished	2	M8	12	13,5	18,5	19	28,5	6,5	17,5	42,5	45,5	65	74,5	10	20
K0124.308	polished	3	M8	14	16	21	22	37	10	24	54,5	58,5	80	91	11	22
K0124.310	polished	3	M10	14	16	21	22	37	10	24	54,5	58,5	80	91	11	22
K0124.410	polished	4	M10	17	19	27	27,5	43	10	27	63	67,5	95	109	13	24
K0124.412	polished	4	M12	17	19	27	27,5	43	10	27	63	67,5	95	109	13	24
K0124.512	polished	5	M12	23	23	31	32	49	12	31,5	73	77,5	110	126	15	26
K0124.516	polished	5	M16	23	23	31	32	49	12	31,5	73	77,5	110	126	15	26
K0124.104153	blasted	1	M4	9	10	13	14	24,5	4	14,5	31	34	40	47	7	16
K0124.105153	blasted	1	M5	9	10	13	14	24,5	4	14,5	31	34	40	47	7	16
K0124.106153	blasted	1	M6	9	10	13	14	24,5	4	14,5	31	34	40	47	7	16
K0124.206153	blasted	2	M6	12	13,5	18,5	19	28,5	6,5	17,5	42,5	45,5	65	74,5	10	20
K0124.208153	blasted	2	M8	12	13,5	18,5	19	28,5	6,5	17,5	42,5	45,5	65	74,5	10	20
K0124.308153	blasted	3	M8	14	16	21	22	37	10	24	54,5	58,5	80	91	11	22
K0124.310153	blasted	3	M10	14	16	21	22	37	10	24	54,5	58,5	80	91	11	22
K0124.410153	blasted	4	M10	17	19	27	27,5	43	10	27	63	67,5	95	109	13	24
K0124.412153	blasted	4	M12	17	19	27	27,5	43	10	27	63	67,5	95	109	13	24
K0124.512153	blasted	5	M12	23	23	31	32	49	12	31,5	73	77,5	110	126	15	26

Clamping levers

external thread, stainless steel



lift to
disengage



Material:

Handle investment cast 1.4308.
Other steel parts 1.4305.

Version:

Handle electropolished or blasted.
Metal parts bright.

Sample order:

K0124.105X10 (include length L)

On request:

Other external threads, screw lengths and special versions.
Dimension "H1" available in other lengths at extra charge.

Drawing reference:

1) flat point DIN 78

KIPP Clamping levers with external thread, stainless steel

Order No.	Version	Size	X	D	D1	D2	H	H1	H2	H3	H4	A	A1	B	No. of teeth	L
K0124.105X	polished	1	M5	10	13	14	24,5	4	14,5	31	34	40	47	7	16	10/15/20/25
K0124.106X	polished	1	M6	10	13	14	24,5	4	14,5	31	34	40	47	7	16	10/15/20/25/30/40/50
K0124.206X	polished	2	M6	13,5	18,5	19	28,5	6,5	17,5	42,5	45,5	65	74,5	10	20	15/20/25/30/40/50/60
K0124.208X	polished	2	M8	13,5	18,5	19	28,5	6,5	17,5	42,5	45,5	65	74,5	10	20	15/20/25/30/40/50/60
K0124.210X	polished	2	M10	13,5	18,5	19	28,5	6,5	17,5	42,5	45,5	65	74,5	10	20	20/25/30/40/50/60
K0124.308X	polished	3	M8	16	21	22	37	10	24	54,5	58,5	80	91	11	22	20/25/30/40/50/60
K0124.310X	polished	3	M10	16	21	22	37	10	24	54,5	58,5	80	91	11	22	20/25/30/40/50/60
K0124.412X	polished	4	M12	19	27	27,5	43	10	27	63	67,5	95	109	13	24	25/30/40/50/60
K0124.516X	polished	5	M16	23	31	32	49	12	31,5	73	77,5	110	126	15	26	30/40/50/60
K0124.105153X	blasted	1	M5	10	13	14	24,5	4	14,5	31	34	40	47	7	16	10/15/20/25
K0124.106153X	blasted	1	M6	10	13	14	24,5	4	14,5	31	34	40	47	7	16	10/15/20/25/30/40/50
K0124.206153X	blasted	2	M6	13,5	18,5	19	28,5	6,5	17,5	42,5	45,5	65	74,5	10	20	15/20/25/30/40/50/60
K0124.208153X	blasted	2	M8	13,5	18,5	19	28,5	6,5	17,5	42,5	45,5	65	74,5	10	20	15/20/25/30/40/50/60
K0124.210153X	blasted	2	M10	13,5	18,5	19	28,5	6,5	17,5	42,5	45,5	65	74,5	10	20	20/25/30/40/50/60
K0124.308153X	blasted	3	M8	16	21	22	37	10	24	54,5	58,5	80	91	11	22	20/25/30/40/50/60
K0124.310153X	blasted	3	M10	16	21	22	37	10	24	54,5	58,5	80	91	11	22	20/25/30/40/50/60
K0124.412153X	blasted	4	M12	19	27	27,5	43	10	27	63	67,5	95	109	13	24	25/30/40/50/60

K0124

**PUZZLE
ADVANCE**
CONJUNTO DE ACCESÓRIOS INDUSTRIAIS

Clamping levers with protective cap

internal thread, stainless steel



Material:

Handle investment cast 1.4308.
Other steel parts 1.4305.

Version:

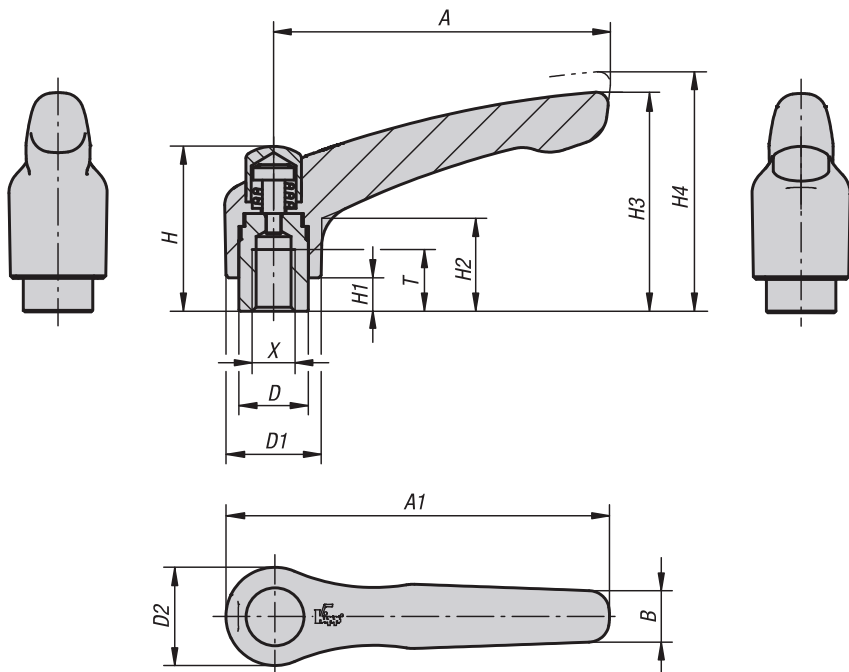
Handle electrolytic polished.
Steel parts bright.

Sample order:

K0124.9208

On request:

Other internal threads and special versions.
Dimension "H1" available in other lengths at extra charge.



lift to
disengage



KIPP Clamping levers with protective cap, internal thread, stainless steel

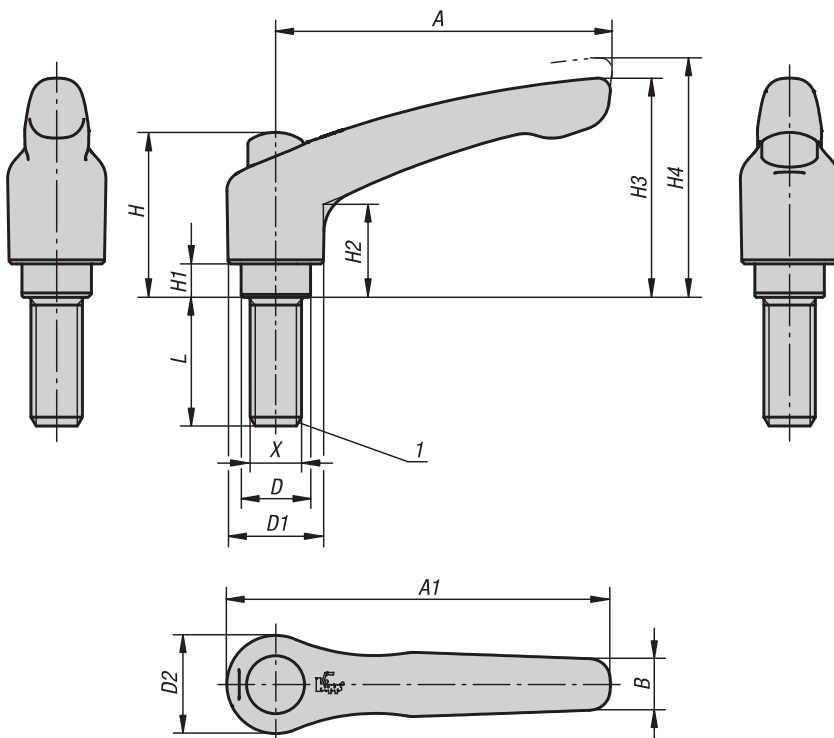
Order No.	Size	X	T	D	D1	D2	H	H1	H2	H3	H4	A	A1	B	No. of teeth
K0124.9206	2	M6	12	13,5	18,5	19	32	6,5	17,5	42,5	45,5	65	74,5	10	20
K0124.9208	2	M8	12	13,5	18,5	19	32	6,5	17,5	42,5	45,5	65	74,5	10	20
K0124.9308	3	M8	14	16	21	22	41,5	10	24	54,5	58,5	80	91	11	22

K0124

**PUZZLE
ADVANCE**
CONFECCION DE ACCESÓRIOS INDUSTRIAIS

Clamping levers with protective cap

external thread, stainless steel



Material:

Handle investment cast 1.4308.
Other steel parts 1.4305.

Version:

Handle electrolytic polished.
Steel parts bright.

Sample order:

K0124.9208X30 (include length L)

On request:

Other external threads, screw lengths and special versions.
Dimension "H1" available in other lengths at extra charge.

Drawing reference:

1) flat point DIN 78



KIPP Clamping levers with protective cap, external thread, stainless steel

Order No.	Size	X	D	D1	D2	H	H1	H2	H3	H4	A	A1	B	No. of teeth	L
K0124.9206X	2	M6	13,5	18,5	19	32	6,5	17,5	42,5	45,5	65	74,5	10	20	15/20/25/30/40/50/60
K0124.9208X	2	M8	13,5	18,5	19	32	6,5	17,5	42,5	45,5	65	74,5	10	20	15/20/25/30/40/50/60
K0124.9210X	2	M10	13,5	18,5	19	32	6,5	17,5	42,5	45,5	65	74,5	10	20	20/25/30/40/50/60
K0124.9308X	3	M8	16	21	22	41,5	10	24	54,5	58,5	80	91	11	22	20/25/30/40/50/60

K0737

**PUZZLE
ADVANCE**
CONFECCION DE ACCESÓRIOS INDUSTRIAIS

Clamping levers flat

internal thread



Material:

Handle die-cast zinc DIN EN 12844.
Steel parts grade 5.8.

Version:

Handle plastic coated.
Steel parts black oxidised.

Sample order:

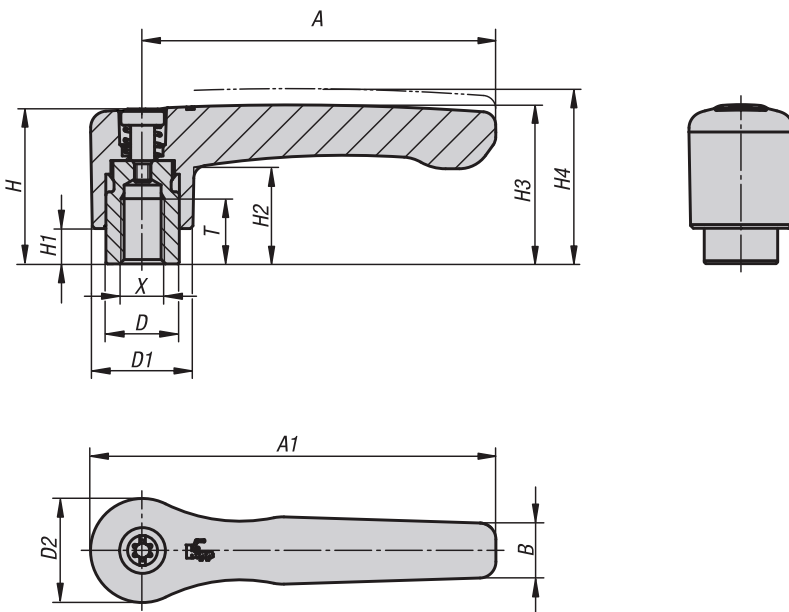
K0737.2061

Note:

Standard colours are:
black satin finish, orange RAL 2004.

On request:

Other internal threads, colours and special versions.
Dimension "H1" available in other lengths at extra charge.



KIPP Clamping levers flat with internal thread

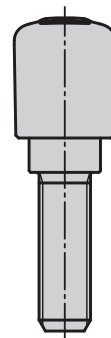
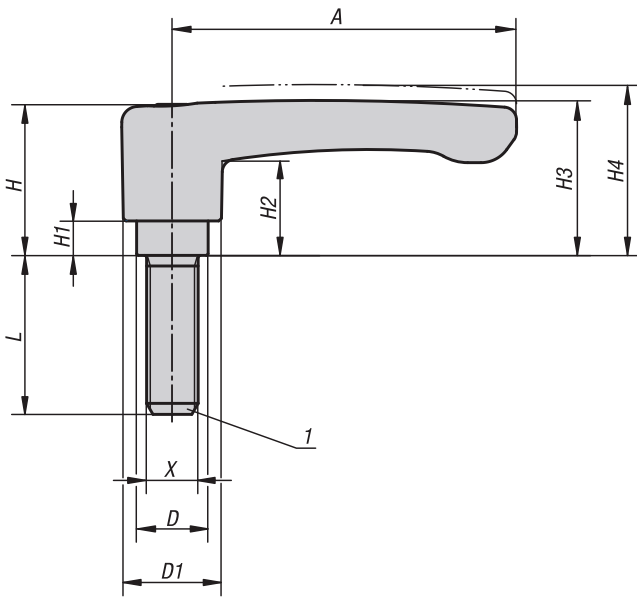
Order No. Black satin finish	Order No. Pure orange RAL 2004	Size	X	T	D	D2	D2	H	H1	H2	H3	H4	A	A1	B	No. of teeth
K0737.2061	K0737.2062	2	M6	12	13,5	18,5	19,1	28,5	6,5	17,8	29,2	32,2	65	74,5	10,1	20
K0737.2081	K0737.2082	2	M8	12	13,5	18,5	19,1	28,5	6,5	17,8	29,2	32,2	65	74,5	10,1	20
K0737.3081	K0737.3082	3	M8	14	16	21,2	22	37	10	23,8	38	42	80	91	11,7	22

K0737

**PUZZLE
ADVANCE**
CONFECCION DE ACCESÓRIOS INDUSTRIAIS

Clamping levers flat

external thread



Material:

Handle die-cast zinc DIN EN 12844.
Steel parts grade 5.8.

Version:

Handle plastic coated.
Steel parts black oxidised.

Sample order:

K0737.2061X15 (include length L)

Note:

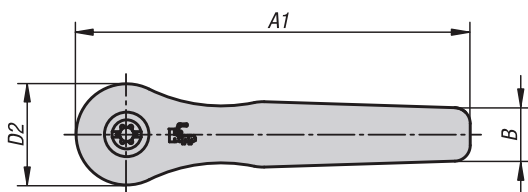
Standard colours are:
black satin finish, orange RAL 2004.

On request:

Other external threads, screw lengths, colours
and special versions.
Dimension "H1" available in other lengths at
extra charge.

Drawing reference:

1) flat point DIN 78



KIPP Specifications

Size	X	D	D1	D2	H	H1	H2	H3	H4	A	A1	B	No. of teeth
2	M6/M8/M10	13,5	18,5	19,1	28,5	6,5	17,8	29,2	32,2	65	74,5	10,1	20
3	M8/M10	16	21,2	22	37	10	23,8	38	42	80	91	11,7	22

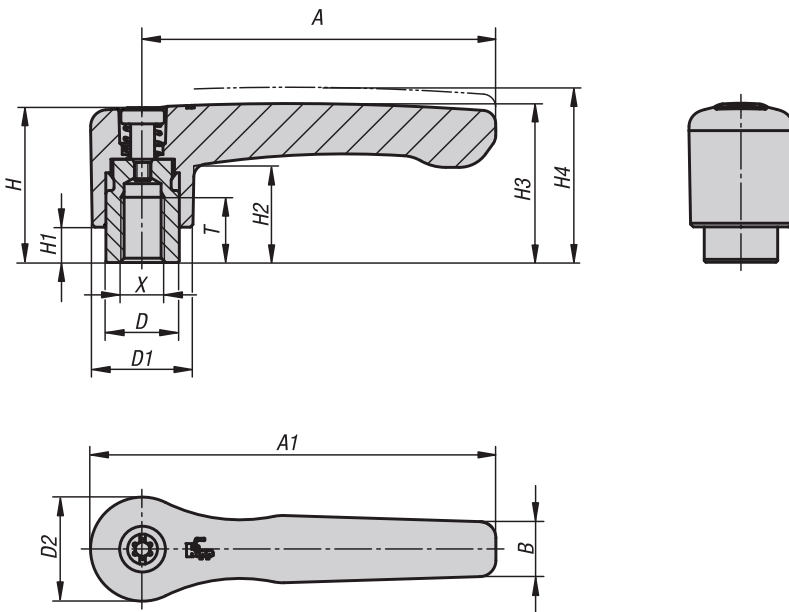
KIPP Clamping levers flat with external thread

Order No. Black satin finish	Order No. Pure orange RAL 2004	Size	X	L
K0737.2061X	K0737.2062X	2	M6	15/20/25/30/35/40/45/50/55/60
K0737.2081X	K0737.2082X	2	M8	15/20/25/30/35/40/45/50/55/60
K0737.2101X	K0737.2102X	2	M10	15/20/25/30/35/40/45/50/55/60
K0737.3081X	K0737.3082X	3	M8	15/20/25/30/35/40/45/50/55/60

K0738**PUZZLE
ADVANCE**
CONFECCION DE ACCESÓRIOS INDUSTRIAIS

Clamping levers flat

internal thread, steel parts stainless steel

**Material:**Handle die-cast zinc DIN EN 12844.
Steel parts stainless steel 1.4305.**Version:**Handle plastic-coated.
Steel parts bright.**Sample order:**

K0738.2061

Note:Standard colours are:
black satin finish, orange RAL 2004.**On request:**Other internal threads, colours and special versions.
Dimension "H1" available in other lengths at extra charge.**KIPP Clamping levers flat with internal thread, stainless steel**

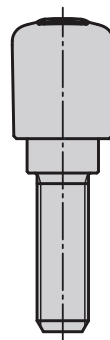
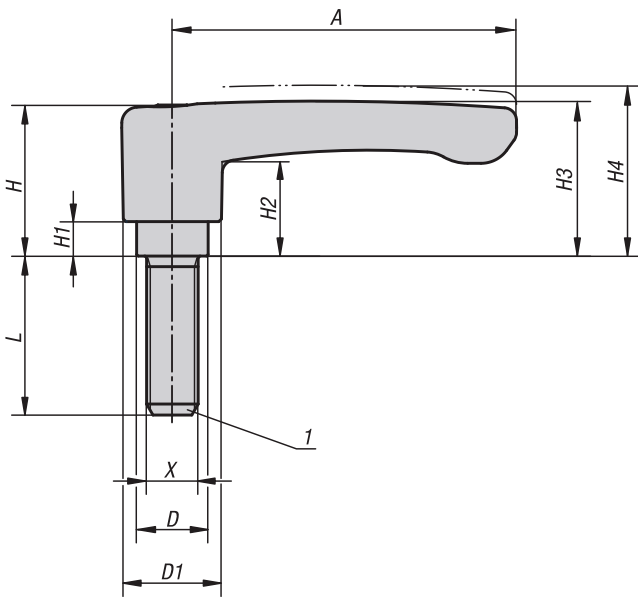
Order No. Black satin finish	Order No. Pure orange RAL 2004	Size	X	T	D	D1	D2	H	H1	H2	H3	H4	A	A1	B	No. of teeth
K0738.2061	K0738.2062	2	M6	12	13,5	18,5	19,1	28,5	6,5	17,8	29,2	32,2	65	74,5	10,1	20
K0738.2081	K0738.2082	2	M8	12	13,5	18,5	19,1	28,5	6,5	17,8	29,2	32,2	65	74,5	10,1	20
K0738.3081	K0738.3082	3	M8	14	16	21,2	22	37	10	23,8	38	42	80	91	11,7	22

K0738

**PUZZLE
ADVANCE**
CONFECCION DE ACCESÓRIOS INDUSTRIAIS

Clamping levers flat

external thread, steel parts stainless steel



Material:

Handle die-cast zinc DIN EN 12844.
Steel parts stainless steel 1.4305.

Version:

Handle plastic-coated.
Steel parts bright.

Sample order:

K0738.2061X15 (include length L)

Note:

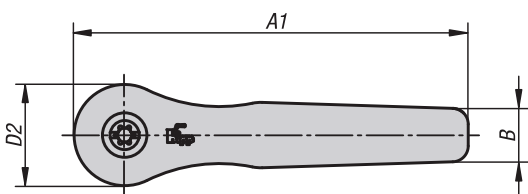
Standard colours are:
black satin finish, orange RAL 2004.

On request:

Other external threads, screw lengths, colours
and special versions.
Dimension "H1" available in other lengths at
extra charge.

Drawing reference:

1) flat point DIN 78



KIPP Specifications

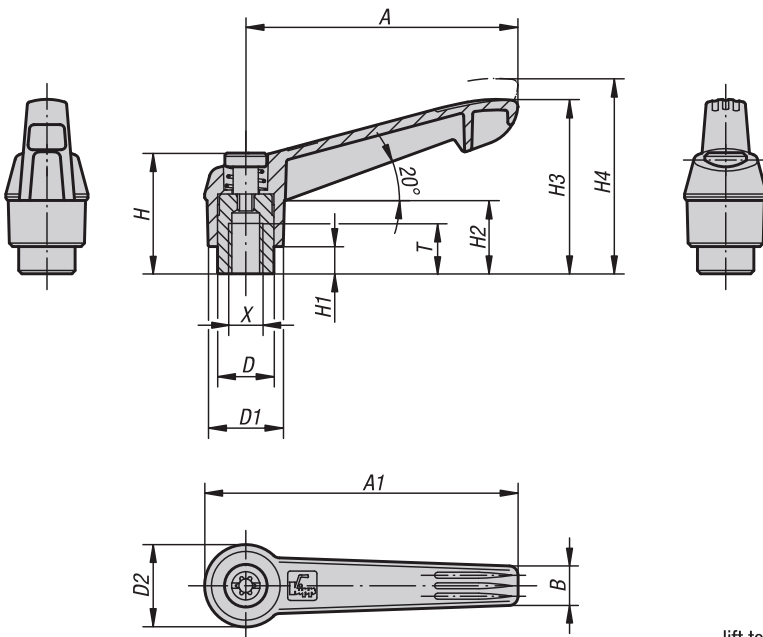
Size	X	D	D1	D2	H	H1	H2	H3	H4	A	A1	B	No. of teeth
2	M6/M8/M10	13,5	18,5	19,1	28,5	6,5	17,8	29,2	32,2	65	74,5	10,1	20
3	M8/M10	16	21,2	22	37	10	23,8	38	42	80	91	11,7	22

KIPP Clamping levers flat with external thread, stainless steel

Order No. Black satin finish	Order No. Pure orange RAL 2004	Size	X	L
K0738.2061X	K0738.2062X	2	M6	15/20/25/30/40/50/60
K0738.2081X	K0738.2082X	2	M8	15/20/25/30/40/50/60
K0738.2101X	K0738.2102X	2	M10	20/25/30/40/50/60
K0738.3081X	K0738.3082X	3	M8	20/25/30/40/50/60

Clamping levers with plastic handle

internal thread



For many people the NOVO grip clamping lever represents the key to secure and comfortable gripping. This lever provides a future-oriented and powerful solution for almost any operating and clamping problem.

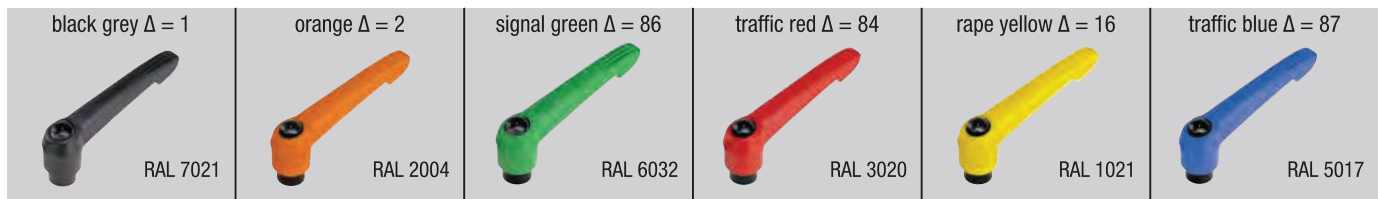
Material:
Handle fibreglass reinforced plastic with die-cast zinc toothed ring.
Steel parts grade 5.8.

Version:
Steel parts black oxidised.

Sample order:
K0269.10486 (lever colour signal green)

Note:
Δ Add the desired lever colour here.

On request:
Other internal threads and special versions.
Dimension "H1" available in other lengths at extra charge.

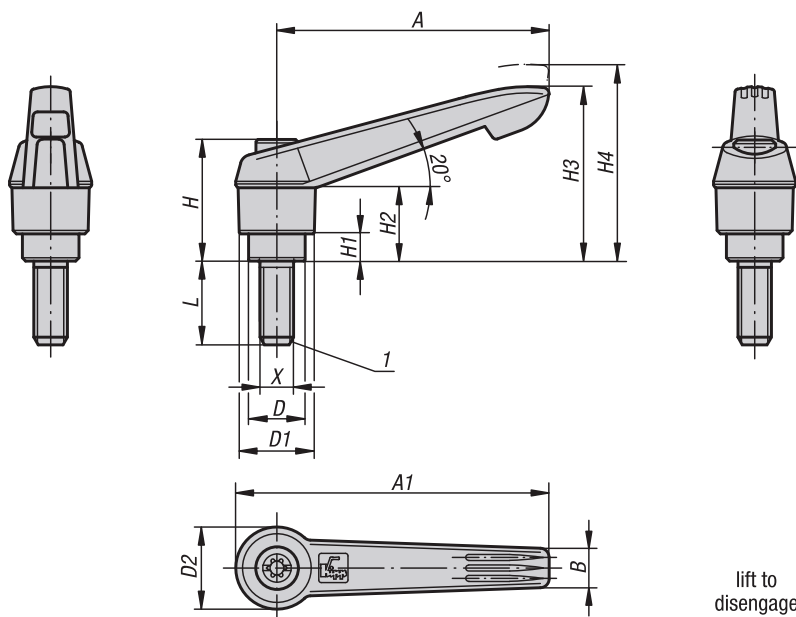


KIPP Clamping levers with plastic handle, internal thread

Order No.	Size	X	T	D	D1	D2	H	H1	H2	H3	H4	A	A1	B	No. of teeth
K0269.104Δ	1	M4	9	10	13	14,5	24,5	4	15	30	33,5	40	47	7,5	16
K0269.105Δ	1	M5	9	10	13	14,5	24,5	4	15	30	33,5	40	47	7,5	16
K0269.106Δ	1	M6	9	10	13	14,5	24,5	4	15	30	33,5	40	47	7,5	16
K0269.206Δ	2	M6	12	13,5	18	19,5	28,5	6,5	17,5	41,5	45,5	65	75	9,5	20
K0269.208Δ	2	M8	12	13,5	18	19,5	28,5	6,5	17,5	41,5	45,5	65	75	9,5	20
K0269.308Δ	3	M8	14	16	21,5	23	37	10	24	53,5	58	80	91,5	11	22
K0269.310Δ	3	M10	14	16	21,5	23	37	10	24	53,5	58	80	91,5	11	22
K0269.410Δ	4	M10	17	19	25,5	27,5	43	10	26	61	66	95	109	13	24
K0269.412Δ	4	M12	17	19	25,5	27,5	43	10	26	61	66	95	109	13	24
K0269.512Δ	5	M12	23	23	30	32,5	49	12	33	72	77	110	126	15,5	26

Clamping levers with plastic handle

external thread



For many people the NOVO grip clamping lever represents the key to secure and comfortable gripping. This lever provides a future-oriented and powerful solution for almost any operating and clamping problem.

Material:

Handle fibreglass reinforced plastic with die-cast zinc toothed ring.
Steel parts grade 5.8.

Version:

Steel parts black oxidised.

Sample order:

K0269.1051X40 (lever black grey; include length L)

Note:

Δ Add the desired lever colour here.

On request:

Other external threads, screw lengths and special versions.

Dimension "H1" available in other lengths at extra charge.

Drawing reference:

1) flat point DIN 78



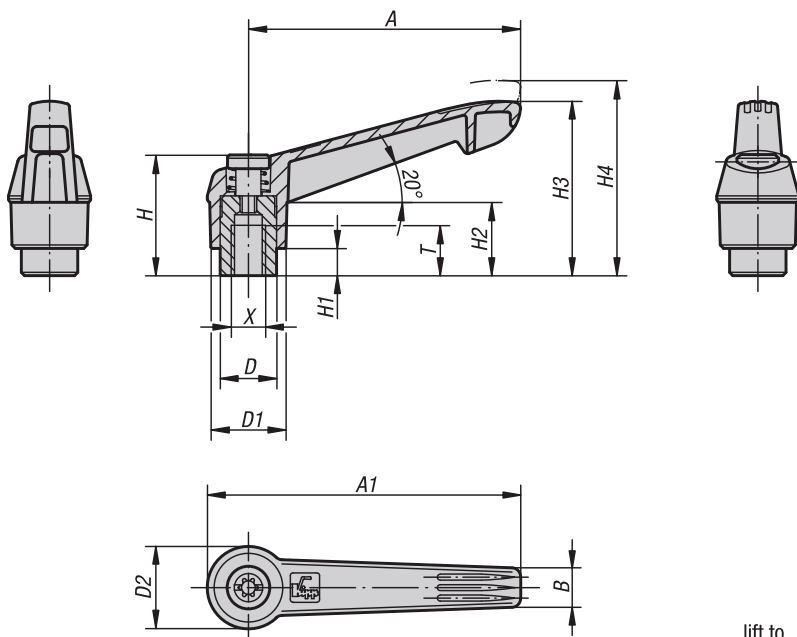
black grey Δ = 1 RAL 7021	orange Δ = 2 RAL 2004	signal green Δ = 86 RAL 6032	traffic red Δ = 84 RAL 3020	rape yellow Δ = 16 RAL 1021	traffic blue Δ = 87 RAL 5017
----------------------------------	------------------------------	-------------------------------------	------------------------------------	------------------------------------	-------------------------------------

KIPP Clamping levers with plastic handle, external thread

Order No.	Size	X	D	D1	D2	H	H1	H2	H3	H4	A	A1	B	No. of teeth	L
K0269.105ΔX	1	M5	10	13	14,5	24,5	4	15	30	33,5	40	47	7,5	16	10/15/20/25/30/35/40/45/50
K0269.106ΔX	1	M6	10	13	14,5	24,5	4	15	30	33,5	40	47	7,5	16	10/15/20/25/30/35/40/45/50
K0269.206ΔX	2	M6	13,5	18	19,5	28,5	6,5	17,5	41,5	45,5	65	75	9,5	20	15/20/25/30/35/40/45/50/55/60
K0269.208ΔX	2	M8	13,5	18	19,5	28,5	6,5	17,5	41,5	45,5	65	75	9,5	20	15/20/25/30/35/40/45/50/55/60
K0269.210ΔX	2	M10	13,5	18	19,5	28,5	6,5	17,5	41,5	45,5	65	75	9,5	20	15/20/25/30/35/40/45/50/55/60
K0269.308ΔX	3	M8	16	21,5	23	37	10	24	53,5	58	80	91,5	11	22	15/20/25/30/35/40/45/50/55/60
K0269.310ΔX	3	M10	16	21,5	23	37	10	24	53,5	58	80	91,5	11	22	15/20/25/30/35/40/45/50/55/60
K0269.410ΔX	4	M10	19	25,5	27,5	43	10	26	61	66	95	109	13	24	20/25/30/35/40/45/50/55/60/70/80/90
K0269.412ΔX	4	M12	19	25,5	27,5	43	10	26	61	66	95	109	13	24	20/25/30/35/40/45/50/55/60/70/80/90
K0269.512ΔX	5	M12	23	30	32,5	49	12	33	72	77	110	126	15,5	26	25/30/35/40/45/50/55/60/70/80/90

Clamping levers with plastic handle

internal thread, steel parts stainless steel



For many people the NOVO grip clamping lever represents the key to secure and comfortable gripping. This lever provides a future-oriented and powerful solution for almost any operating and clamping problem.

Material:

Handle fibreglass reinforced plastic with die-cast zinc toothed ring.
Steel parts stainless steel 1.4305.

Version:

Steel parts bright.

Sample order:

K0270.10486 (lever colour signal green)

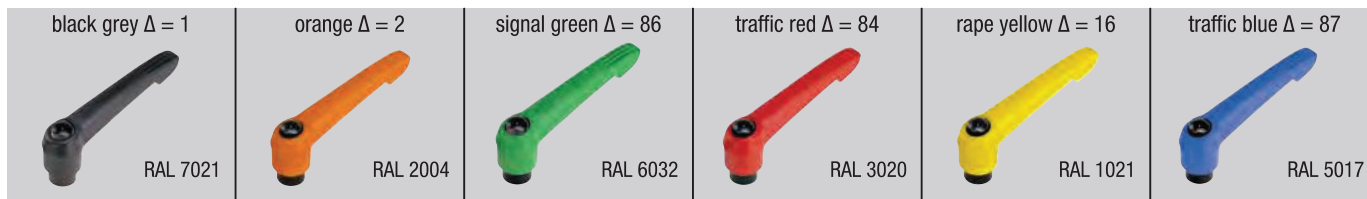
Note:

Δ Add the desired lever colour here.

On request:

Other internal threads and special versions.
Dimension "H1" available in other lengths at extra charge.

lift to
disengage

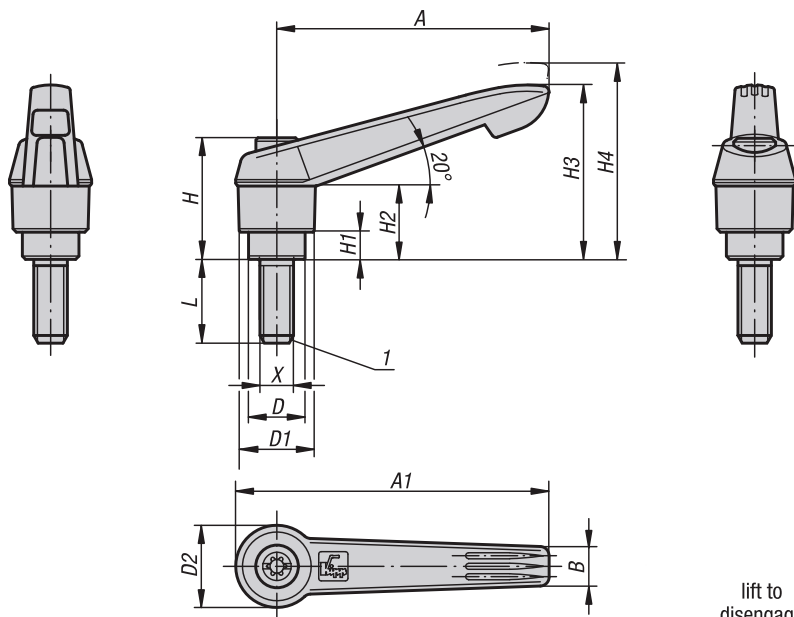


KIPP Clamping levers with plastic handle, internal thread, metal parts stainless steel

Order No.	Size	X	T	D	D1	D2	H	H1	H2	H3	H4	A	A1	B	No. of teeth
K0270.104Δ	1	M4	9	10	13	14,5	24,5	4	15	30	33,5	40	47	7,5	16
K0270.105Δ	1	M5	9	10	13	14,5	24,5	4	15	30	33,5	40	47	7,5	16
K0270.106Δ	1	M6	9	10	13	14,5	24,5	4	15	30	33,5	40	47	7,5	16
K0270.206Δ	2	M6	12	13,5	18	19,5	28,5	6,5	17,5	41,5	45,5	65	75	9,5	20
K0270.208Δ	2	M8	12	13,5	18	19,5	28,5	6,5	17,5	41,5	45,5	65	75	9,5	20
K0270.308Δ	3	M8	14	16	21,5	23	37	10	24	53,5	58	80	91,5	11	22
K0270.310Δ	3	M10	14	16	21,5	23	37	10	24	53,5	58	80	91,5	11	22
K0270.410Δ	4	M10	17	19	25,5	27,5	43	10	26	61	66	95	109	13	24
K0270.412Δ	4	M12	17	19	25,5	27,5	43	10	26	61	66	95	109	13	24
K0270.512Δ	5	M12	23	23	30	32,5	49	12	33	72	77	110	126	15,5	26

Clamping levers with plastic handle

external thread, steel parts stainless steel



For many people the NOVO grip clamping lever represents the key to secure and comfortable gripping. This lever provides a future-oriented and powerful solution for almost any operating and clamping problem.

Material:
Handle fibreglass reinforced plastic with die-cast zinc toothed ring.
Steel parts stainless steel 1.4305.

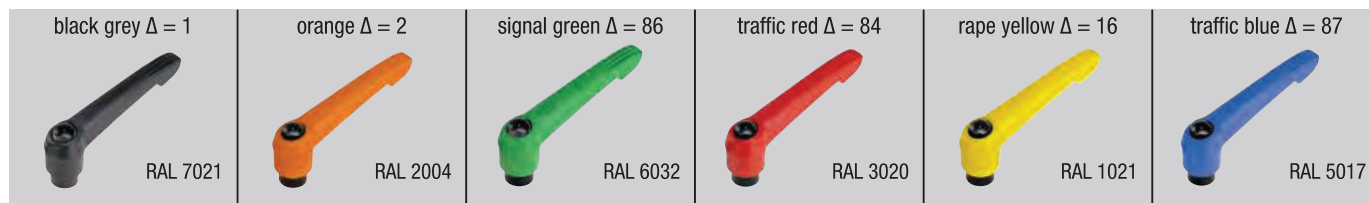
Version:
Steel parts bright.

Sample order:
K0270.1051X20 (lever black grey; include length L)

Note:
Δ Add the desired lever colour here.

On request:
Other external threads, screw lengths and special versions.
Dimension "H1" available in other lengths at extra charge.

Drawing reference:
1) flat point DIN 78



KIPP Clamping levers with plastic handle, external thread, metal parts stainless steel

Order No.	Size	X	D	D1	D2	H	H1	H2	H3	H4	A	A1	B	No. of teeth	L
K0270.105ΔX	1	M5	10	13	14,5	24,5	4	15	30	33,5	40	47	7,5	16	10/15/20/25
K0270.106ΔX	1	M6	10	13	14,5	24,5	4	15	30	33,5	40	47	7,5	16	10/15/20/25/30/40/50
K0270.206ΔX	2	M6	13,5	18	19,5	28,5	6,5	17,5	41,5	45,5	65	75	9,5	20	15/20/25/30/40/50/60
K0270.208ΔX	2	M8	13,5	18	19,5	28,5	6,5	17,5	41,5	45,5	65	75	9,5	20	15/20/25/30/40/50/60
K0270.210ΔX	2	M10	13,5	18	19,5	28,5	6,5	17,5	41,5	45,5	65	75	9,5	20	20/25/30/40/50/60
K0270.308ΔX	3	M8	16	21,5	23	37	10	24	53,5	58	80	91,5	11	22	20/25/30/40/50/60
K0270.310ΔX	3	M10	16	21,5	23	37	10	24	53,5	58	80	91,5	11	22	20/25/30/40/50/60
K0270.412ΔX	4	M12	19	25,5	27,5	43	10	26	61	66	95	109	13	24	25/30/40/50/60

K0269

**PUZZLE
ADVANCE**
CONFECCION DE ACCESÓRIOS INDUSTRIAIS

Clamping levers with push button

internal thread



Material:

Handle fibreglass reinforced plastic, toothed ring die-cast zinc.

Steel parts grade 5.8.

Push button plastic (POM).

Version:

Steel parts black oxidised.

Sample order:

K0269.71104

(clamping lever black grey, push button traffic red)

Note:

Δ Enter the desired lever colour here.

The standard colours are:

Black grey clamping lever, traffic red push button.

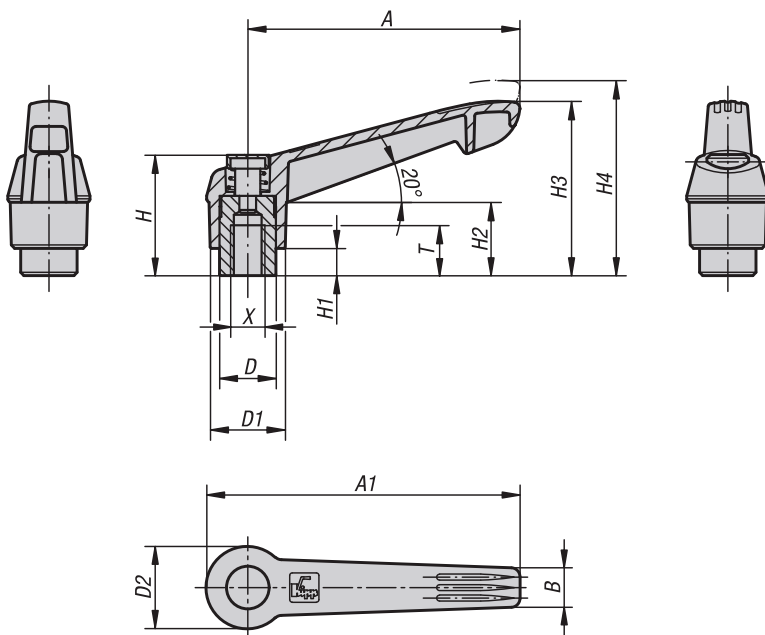
Orange clamping lever, black grey push button.

Traffic red clamping lever, black grey push button.

On request:

Other internal threads and special versions.

Dimension "H1" available in other lengths at extra charge.

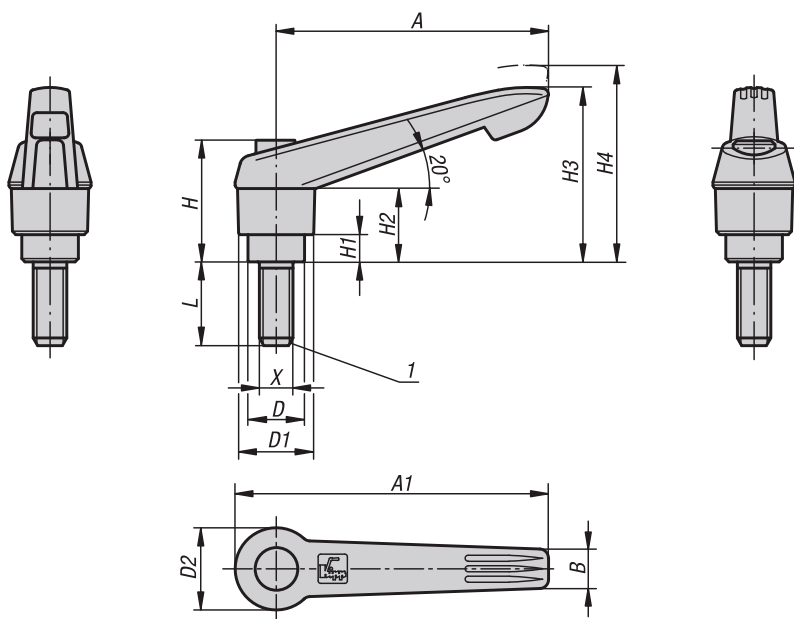


KIPP Clamping levers with push button, internal thread

Order No.	Size	X	T	D	D1	D2	H	H1	H2	H3	H4	A	A1	B	No. of teeth
K0269.7Δ104	1	M4	9	10	13	14,5	25,5	4	15	30	33,5	40	47	7,5	16
K0269.7Δ105	1	M5	9	10	13	14,5	25,5	4	15	30	33,5	40	47	7,5	16
K0269.7Δ106	1	M6	9	10	13	14,5	25,5	4	15	30	33,5	40	47	7,5	16
K0269.7Δ206	2	M6	12	13,5	18	19,5	29,5	6,5	17,5	41,5	45,5	65	75	9,5	20
K0269.7Δ208	2	M8	12	13,5	18	19,5	29,5	6,5	17,5	41,5	45,5	65	75	9,5	20
K0269.7Δ308	3	M8	14	16	21,5	23	38,5	10	24	53,5	58	80	91,5	11	22
K0269.7Δ310	3	M10	14	16	21,5	23	38,5	10	24	53,5	58	80	91,5	11	22
K0269.7Δ410	4	M10	17	19	25,5	27,5	44,6	10	26	61	66	95	109	13	24
K0269.7Δ412	4	M12	17	19	25,5	27,5	44,6	10	26	61	66	95	109	13	24
K0269.7Δ512	5	M12	23	23	30	32,5	50,6	12	33	72	77	110	126	15,5	26

Clamping levers with push button

external thread



Material:

Handle fibreglass reinforced plastic, toothed ring die-cast zinc.
Steel parts grade 5.8.
Push button plastic (POM).

Version:

Steel parts black oxidised.

Sample order:

K0269.71105X10
(clamping lever black grey, push button traffic red.
Include length L)

Note:

Δ Enter the desired lever colour here.
The standard colours are:
Black grey clamping lever, traffic red push button.
Orange clamping lever, black grey push button.
Traffic red clamping lever, black grey push button.

On request:

Other external threads, screw lengths and special versions.
Dimension "H1" available in other lengths at extra charge.

Drawing reference:

1) flat point DIN 78



KIPP Clamping lever with push button, external thread

Order No.	Size	X	D	D1	D2	H	H1	H2	H3	H4	A	A1	B	No. of teeth	L
K0269.7Δ105X	1	M5	10	13	14,5	25,5	4	15	30	33,5	40	47	7,5	16	10/15/20/25/30/35/40/45/50
K0269.7Δ106X	1	M6	10	13	14,5	25,5	4	15	30	33,5	40	47	7,5	16	10/15/20/25/30/35/40/45/50
K0269.7Δ206X	2	M6	13,5	18	19,5	29,5	6,5	17,5	41,5	45,5	65	75	9,5	20	15/20/25/30/35/40/45/50/55/60
K0269.7Δ208X	2	M8	13,5	18	19,5	29,5	6,5	17,5	41,5	45,5	65	75	9,5	20	15/20/25/30/35/40/45/50/55/60
K0269.7Δ210X	2	M10	13,5	18	19,5	29,5	6,5	17,5	41,5	45,5	65	75	9,5	20	15/20/25/30/35/40/45/50/55/60
K0269.7Δ308X	3	M8	16	21,5	23	38,5	10	24	53,5	58	80	91,5	11	22	15/20/25/30/35/40/45/50/55/60
K0269.7Δ310X	3	M10	16	21,5	23	38,5	10	24	53,5	58	80	91,5	11	22	15/20/25/30/35/40/45/50/55/60
K0269.7Δ410X	4	M10	19	25,5	27,5	44,6	10	26	61	66	95	109	13	24	20/25/30/35/40/45/50/55/60/70/80/90
K0269.7Δ412X	4	M12	19	25,5	27,5	44,6	10	26	61	66	95	109	13	24	20/25/30/35/40/45/50/55/60/70/80/90
K0269.7Δ512X	5	M12	23	30	32,5	50,6	12	33	72	77	110	126	15,5	26	25/30/35/40/45/50/55/60/70/80/90

K0270

**PUZZLE
ADVANCE**
CONJUNTO DE ACCESÓRIOS INDUSTRIAIS

Clamping levers with push button

internal thread, metal parts stainless-steel



Material:

Handle fibreglass reinforced plastic, toothed ring die-cast zinc.

Metal parts stainless steel 1.4305.

Push button plastic (POM).

Version:

Steel parts bright.

Sample order:

K0270.71104

(clamping lever black grey, push button traffic red)

Note:

Δ Enter the desired lever colour here.

The standard colours are:

Black grey clamping lever, traffic red push button.

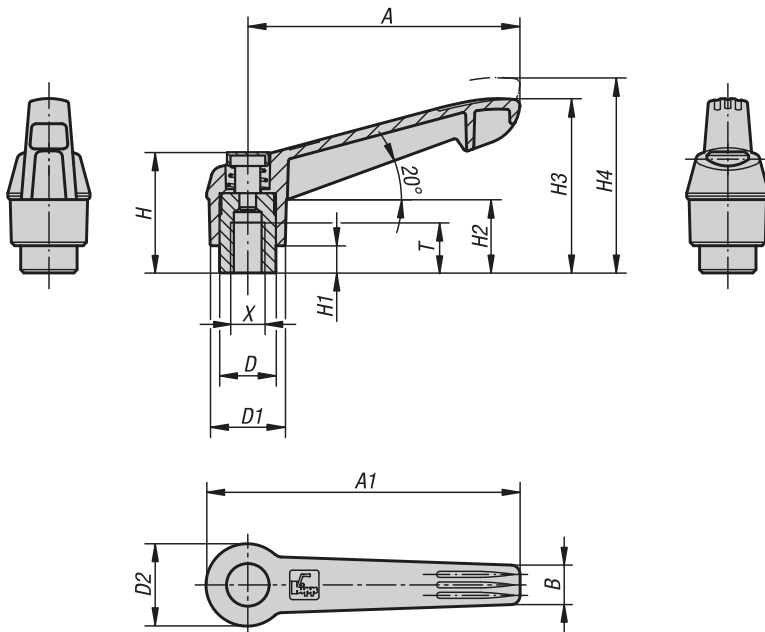
Orange clamping lever, black grey push button.

Traffic red clamping lever, black grey push button.

On request:

Other internal threads and special versions.

Dimension "H1" available in other lengths at extra charge.



KIPP Clamping levers with push button, internal thread, metal parts stainless steel

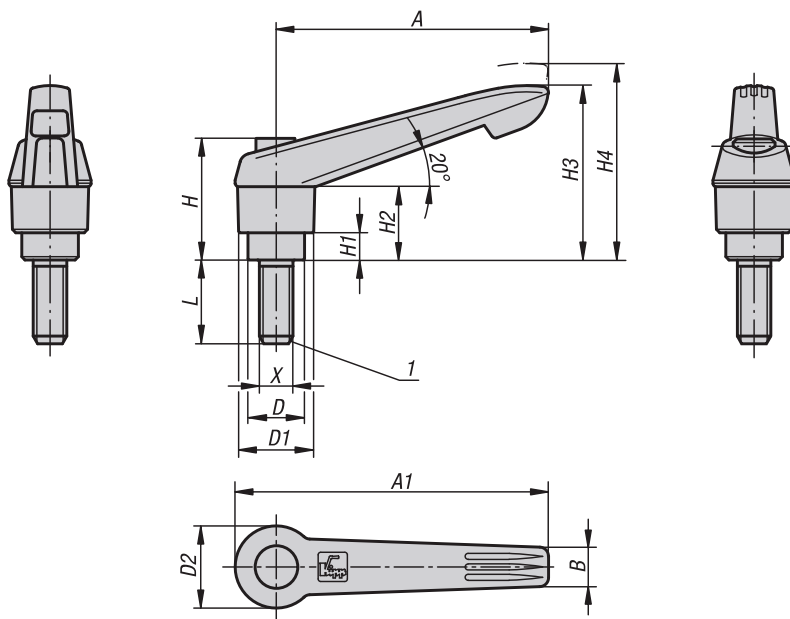
Order No.	Size	X	T	D	D1	D2	H	H1	H2	H3	H4	A	A1	B	No. of teeth
K0270.7Δ104	1	M4	9	10	13	14,5	25,5	4	15	30	33,5	40	47	7,5	16
K0270.7Δ105	1	M5	9	10	13	14,5	25,5	4	15	30	33,5	40	47	7,5	16
K0270.7Δ106	1	M6	9	10	13	14,5	25,5	4	15	30	33,5	40	47	7,5	16
K0270.7Δ206	2	M6	12	13,5	18	19,5	29,5	6,5	17,5	41,5	45,5	65	75	9,5	20
K0270.7Δ208	2	M8	12	13,5	18	19,5	29,5	6,5	17,5	41,5	45,5	65	75	9,5	20
K0270.7Δ308	3	M8	14	16	21,5	23	38,5	10	24	53,5	58	80	91,5	11	22
K0270.7Δ310	3	M10	14	16	21,5	23	38,5	10	24	53,5	58	80	91,5	11	22
K0270.7Δ410	4	M10	17	19	25,5	27,5	44,6	10	26	61	66	95	109	13	24
K0270.7Δ412	4	M12	17	19	25,5	27,5	44,6	10	26	61	66	95	109	13	24
K0270.7Δ512	5	M12	23	23	30	32,5	50,6	12	33	72	77	110	126	15,5	26

K0270

**PUZZLE
ADVANCE**
CONJUNTO DE ACCESÓRIOS INDUSTRIAIS

Clamping lever with push button

external thread, metal parts stainless-steel



Material:

Handle fibreglass reinforced plastic, toothed ring die-cast zinc.

Metal parts stainless steel 1.4305.

Push button plastic (POM).

Version:

Steel parts bright.

Sample order:

K0270.71105X10

(Clamping lever black grey, push button traffic red. Include length L)

Note:

Δ Enter the desired lever colour here.

The standard colours are:

Black grey clamping lever, traffic red push button.

Orange clamping lever, black grey push button.

Traffic red clamping lever, black grey push button.

On request:

Other external threads, screw lengths and special versions.

Dimension "H1" available in other lengths at extra charge.

Drawing reference:

1) flat point DIN 78



KIPP Clamping levers with push button, external thread, metal parts stainless steel

Order No.	Size	X	D	D1	D2	H	H1	H2	H3	H4	A	A1	B	No. of teeth	L
K0270.7Δ105X	1	M5	10	13	14,5	25,5	4	15	30	33,5	40	47	7,5	16	10/15/20/25
K0270.7Δ106X	1	M6	10	13	14,5	25,5	4	15	30	33,5	40	47	7,5	16	10/15/20/25/30/40/50
K0270.7Δ206X	2	M6	13,5	18	19,5	29,5	6,5	17,5	41,5	45,5	65	75	9,5	20	15/20/25/30/40/50/60
K0270.7Δ208X	2	M8	13,5	18	19,5	29,5	6,5	17,5	41,5	45,5	65	75	9,5	20	15/20/25/30/40/50/60
K0270.7Δ210X	2	M10	13,5	18	19,5	29,5	6,5	17,5	41,5	45,5	65	75	9,5	20	20/25/30/40/50/60
K0270.7Δ308X	3	M8	16	21,5	23	38,5	10	24	53,5	58	80	91,5	11	22	20/25/30/40/50/60
K0270.7Δ310X	3	M10	16	21,5	23	38,5	10	24	53,5	58	80	91,5	11	22	20/25/30/40/50/60
K0270.7Δ412X	4	M12	19	25,5	27,5	44,6	10	26	61	66	95	109	13	24	25/30/40/50/60