

HINGE

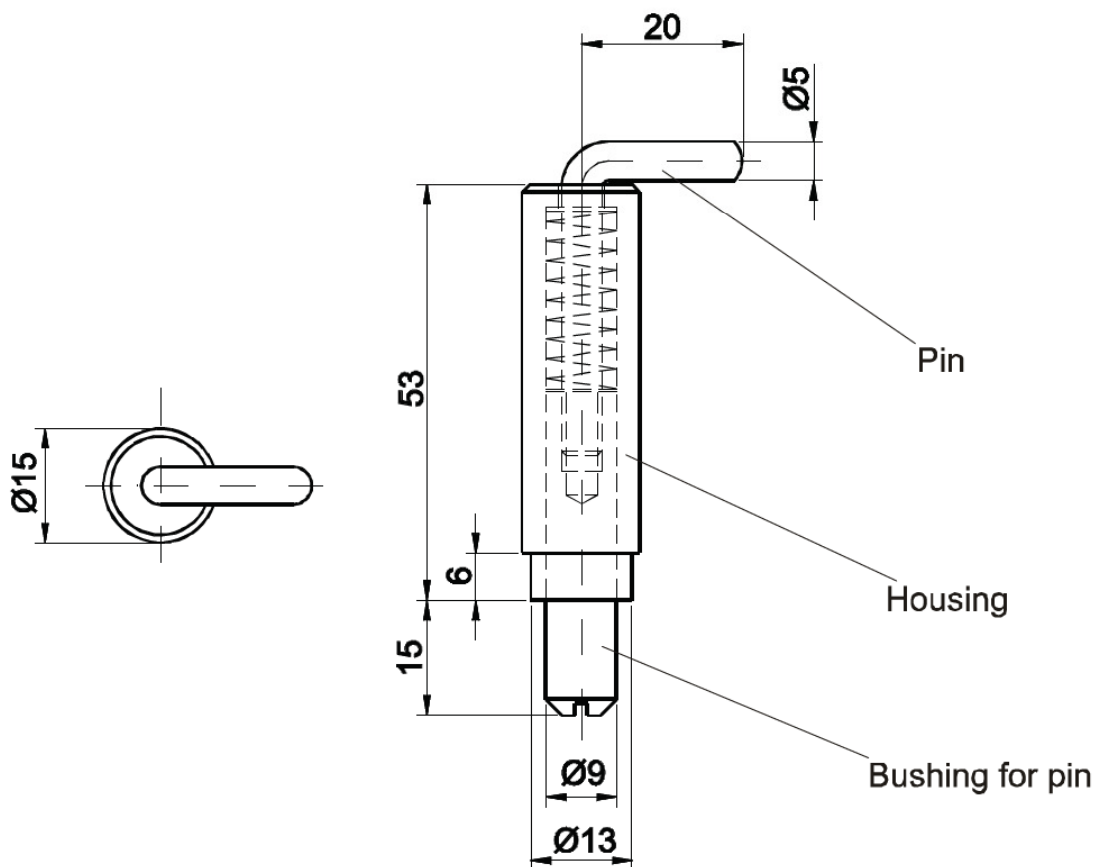
RH or LH application.

Material:

Roll: Zinc plated

Pin: steel, Zinc plated

Spring: stainless steel



Overview of items

version	Part No.
Hinge - Steel, zinc plated	PA6425700-000
Hinge - Stainless Steel	PA6425700-SST