

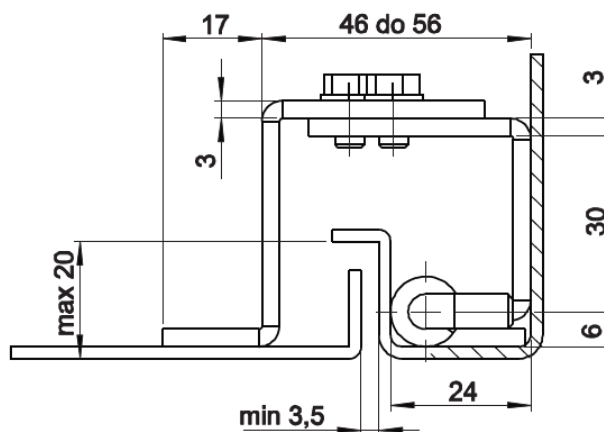
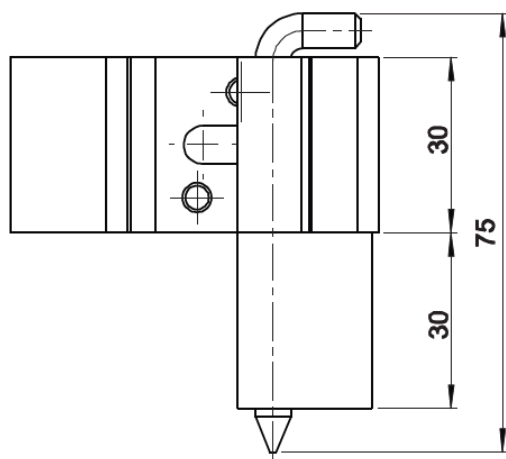
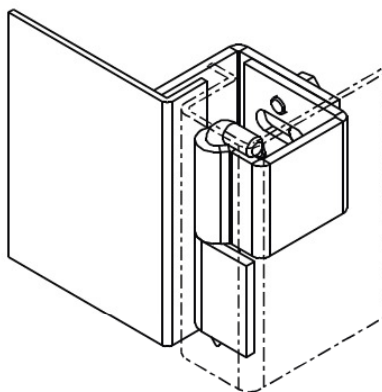
HINGE 90°

Material:

Frame-part: steel, zinc plated, or stainless steel

Door-part: steel, untreated, or stainless steel

Pins: steel, zinc plated, or stainless steel



Overview of items

version	Part No.
Canceaed Hinge 90° - Steel - no plated	PA6412111-000
Canceaed Hinge 90° - Stainless Steel	PA6412111-SST