

HINGE 120°

Door Bending 20mm, for surface mounted door 120°
 Concealed Hinge for surface mounted door.
 RH or LH application.

Material:

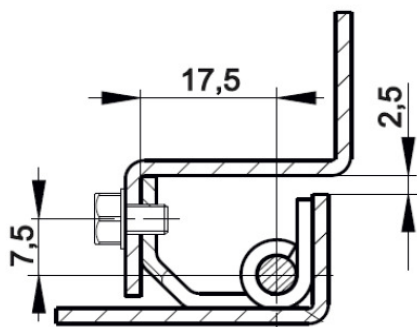
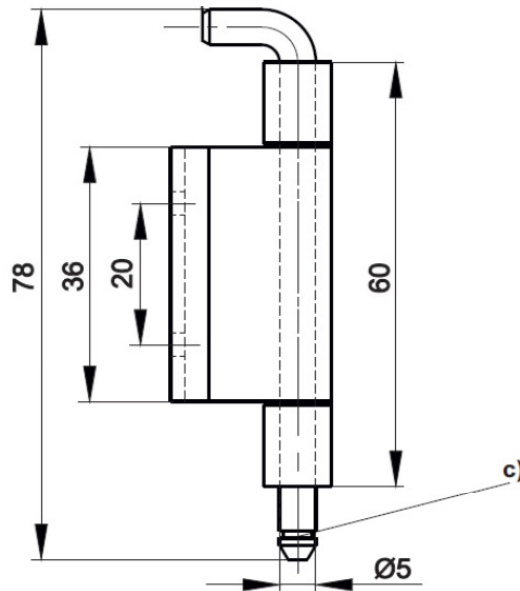
Frame Partes: Steel, zinc plated, untreated or stainless steel

Door-Part: Steel, untreated or stainless steel

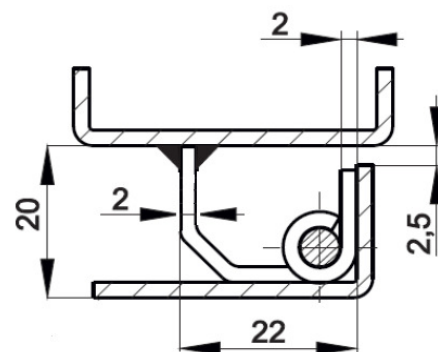
Pin: Steel, zinc plated or stainless steel



INOX
 Stainless Steel



VERSION A)



VERSION B)

Overview of items

Version	Part No	Part No
120° Concealed Hinge	Steel, zinc plated	Stainless Steel
Hinge - Version A	PA6410342-000	PA6410342-SST
Hinge - Version B	PA6410343-000	PA6410343-SST
C) Retaining ring DIN 6799 RS4 for pin with groove		

