

HINGE 120°

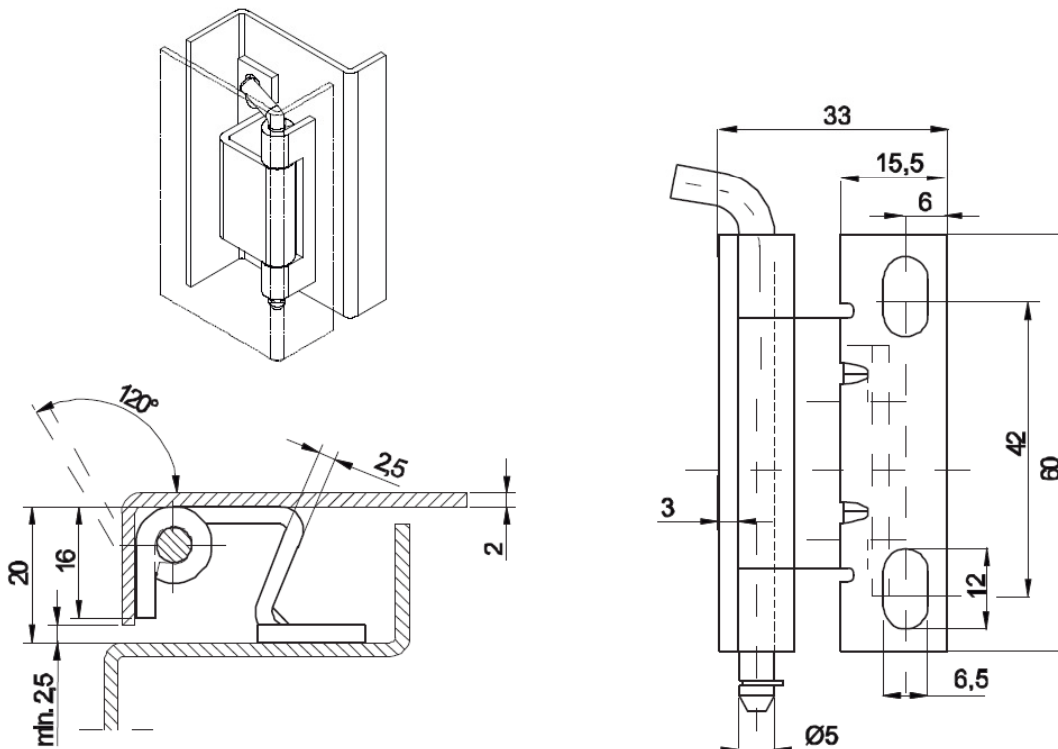
Door bending 20mm, for surface mounted door
120° Concealed Hinge for surface mounted door.
RH or LH application.

Material:

Frame-part: steel, zinc plated, or stainless steel

Door-part: steel, untreated, or stainless steel

Pin: steel, zinc plated, or stainless steel



Overview of items

version	Part No.
120° Concealed Hinge	
Hinge - Steel, zinc plated	PA6410312-000
Hinge - Stainless steel - AISI 304	PA6410312-SST
<i>Pin with groove are included.</i>	