

HINGE 180°

Surface mounted door, Stainless Steel, Lift-off

Product Notes:

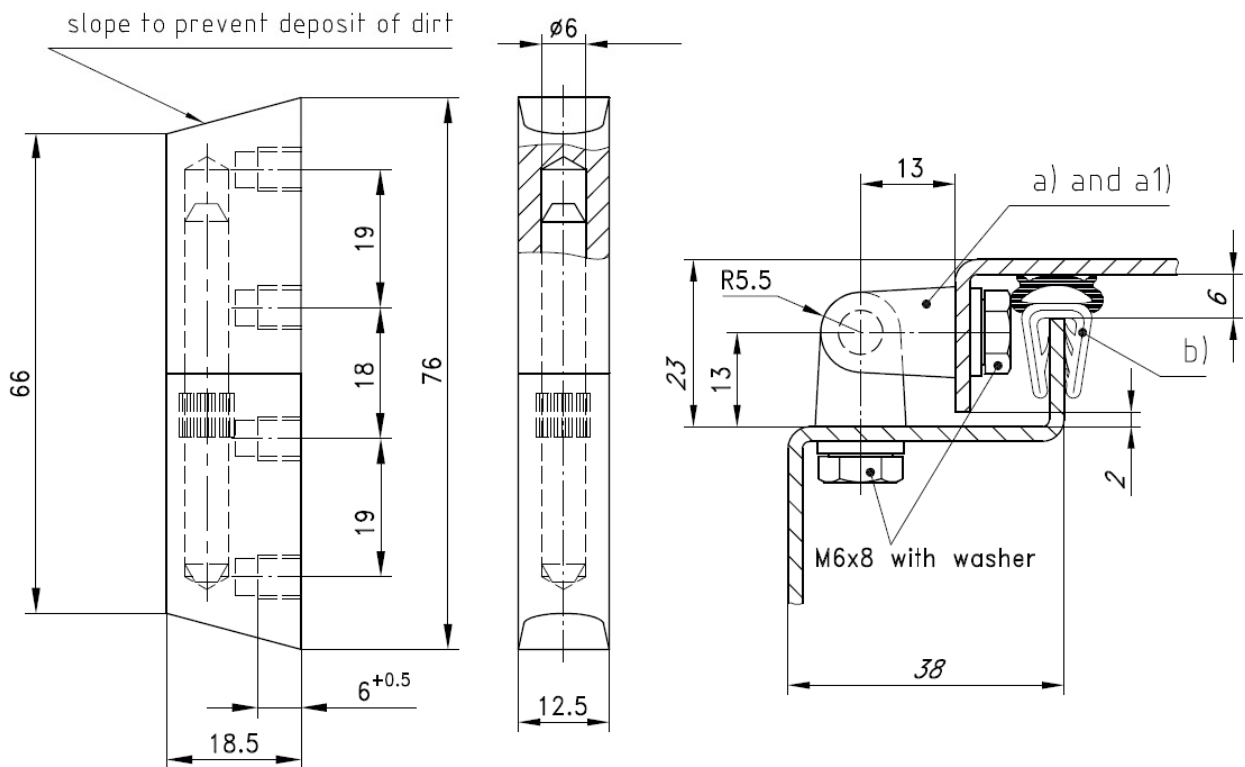
Fasten to panel with screws Lift-off

RH and LH application

Sloped ends prevent deposit of dust or debris

Material:

Hinge all parts: Stainless Steel AISI 316



Overview of items

version	Part No.
a) Corner Hinge 180° - for M6 in stainless steel	PA6304300-SST
b) e.g. Clip-On Profiles	PA7101212-000
* Price and delivery time on request	