

HINGE 180°

Door is lift-off. 180° Opening angle.

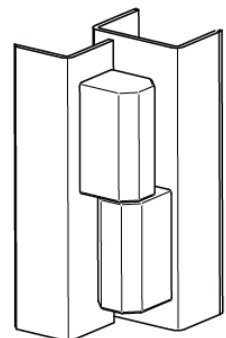
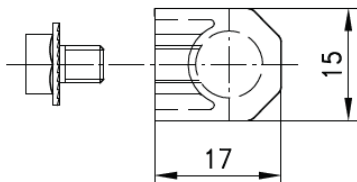
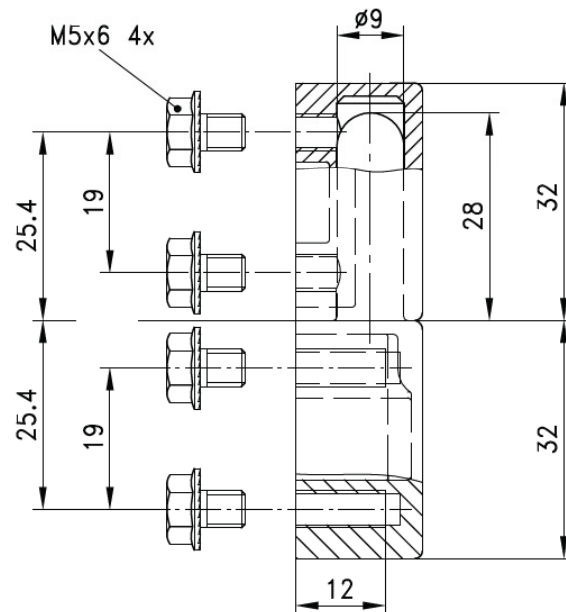
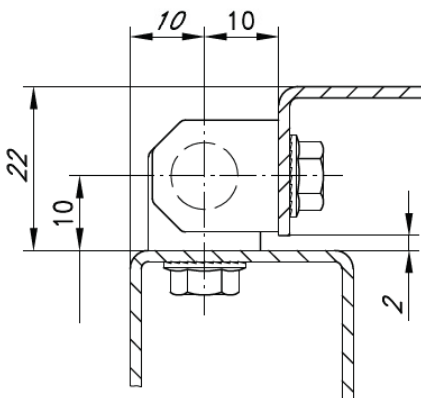
Material:

Hinge Parts: zinc die, chrome plated,
black coated or stainless steel

Pin: steel, zinc plated or stainless steel



Example of application



Overview of items

version	Stainless Steel	Zinc die, Chrome plated	Zinc die, Black
Corner Hinge 180° - for M5	PA6303200-SST	PA6303200-OCR	PA6303200-OSW
* Price and delivery time on request			