

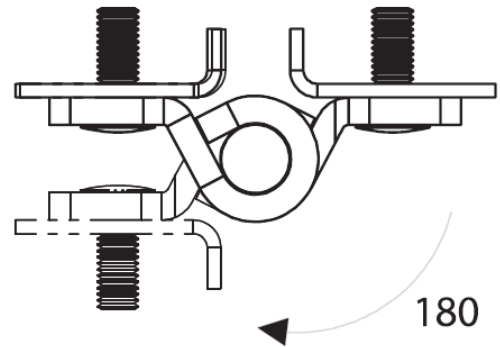
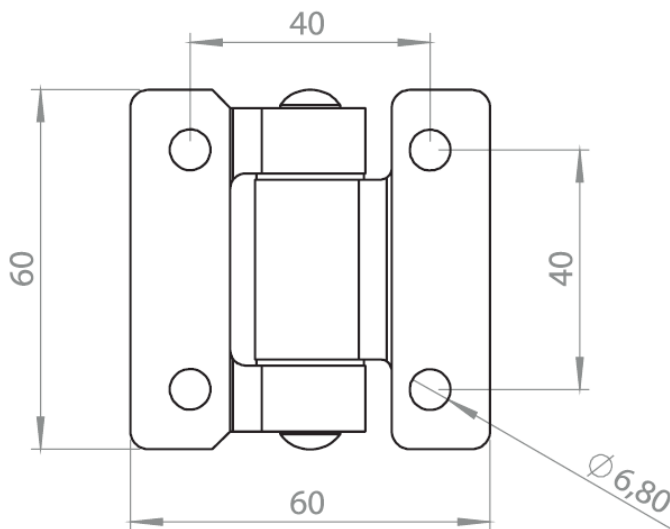
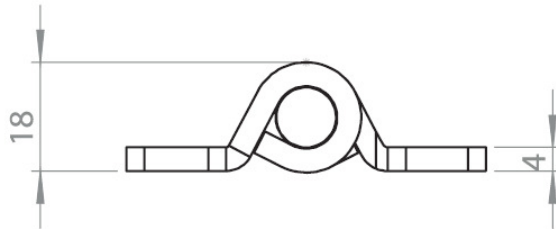
HINGE 180°

For nested door
Screw-on Hinge.
180° Opening angle

Material:

Hinge Parts: Steel, Black Coated,
or stainless steel AISI 304

Pin: stainless steel, AISI 303



Overview of items

version	Stainless steel	Steel, black Coated
Hinge with holes	PA6121900-SST	PA6121900-0SW