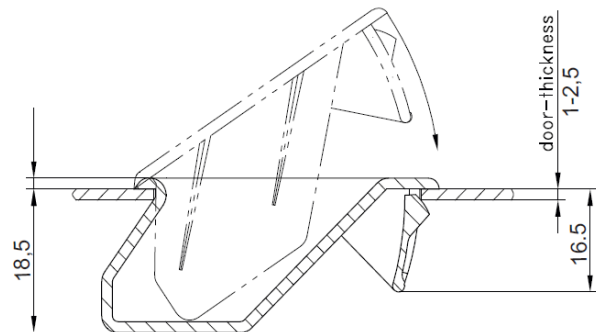
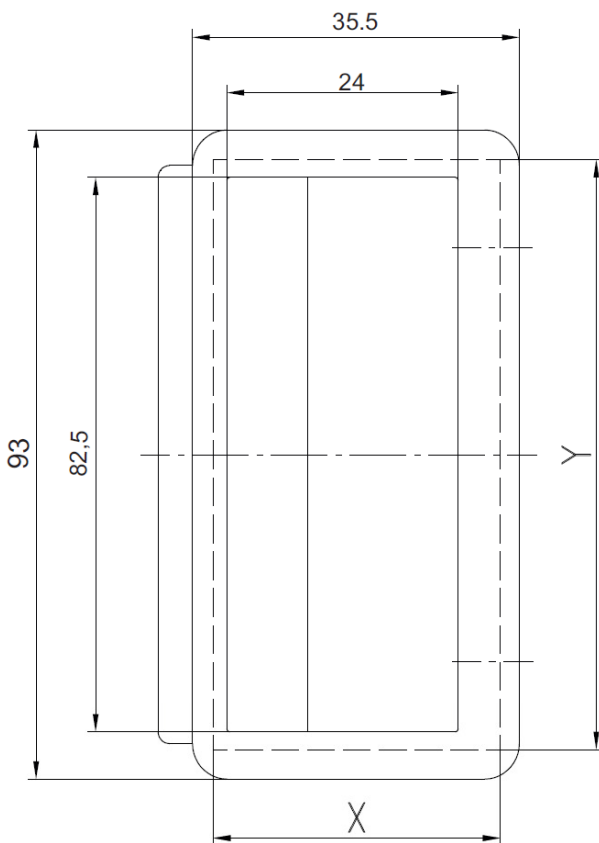


Polyamide, clip-in  
 Dish handle, clip-in for door-thickness 1 to 2.5mm (0,039 to 0,098).  
 The dimensions of the cutouts for different door-thicknesses,  
 are indicated in the table mentioned below.

**Material:**  
 PA, black



#### Overview of items

version	Door-thickness in mm	Dimensions of cutout in mm		Part No.
Dish Handle - slim	1-2,5	X	Y	PA4037300-000
		30.8+0.2	87,0+0,2	