

COMPRESSION QUARTER-TURN

Small · Zinc and plated steel · Adjustable grip

Material and Finish:

Zinc alloy, powder coated and steel, zinc plated

Performance Details

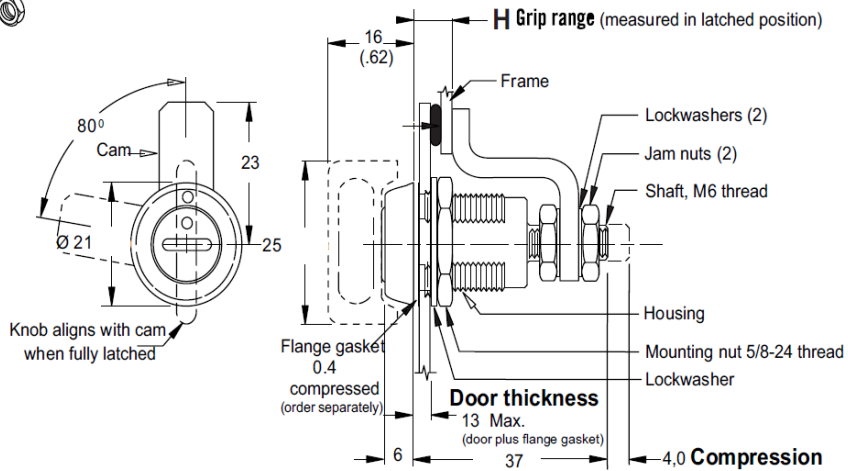
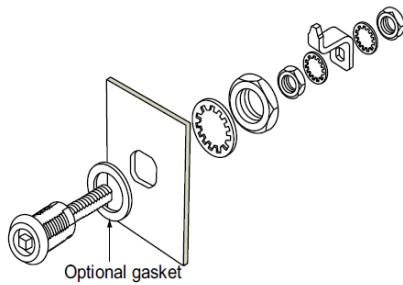
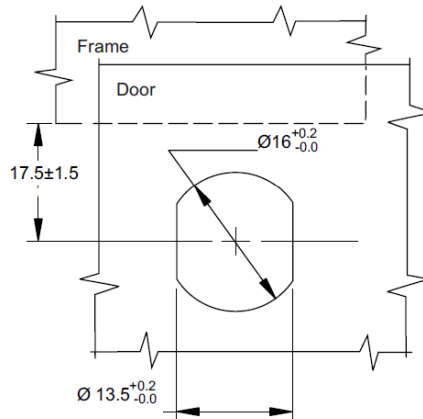
Max. static load: 330 N (75 lbf)

Sealing Notes

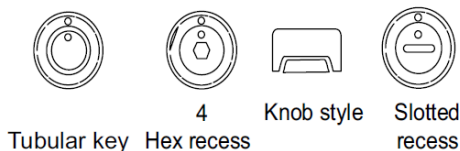
NEMA 4 / IP65 sealing is achieved by using optional flange gasket.

Installation Notes

Caution: Position cam so latching function can be achieved comfortably by hand.



Insert Styles



PA2282634-001

1	3.2 (.13)	6.4 (.25)
2	6.4 (.25)	9.5 (.37)
3	9.5 (.37)	12.7 (.50)
4	12.7 (.50)	15.9 (.63)
5	15.9 (.63)	19 (.75)
6	19 (.75)	22.2 (.87)
7	22.2 (.87)	25.4 (1)
8	25.4 (1)	28.6 (1.13)

Overview of items

version	zinc die Blue-gray	zinc die black
Tubular key	PA2282634-000	PA2282664-000
4 Hex recess	PA2282636-000	PA2282666-000
Knob style	PA2282635-000	PA2282665-000
Slotted recess	PA2282638-000	PA2282668-000
Cam steel (zinc plated)		