

## SAFTY QUARTER-TURN

vibration-proof also at high sealing pressure through an integrated latch.  
At the double bit version the operation is not possible without an appropriate key.

The key is captive in open position according to DIN 43668.

Water- and dust-tight according to IP65 DIN EN 60529.

**An additional advantage:**

Completely closed housing surface

**Material:**

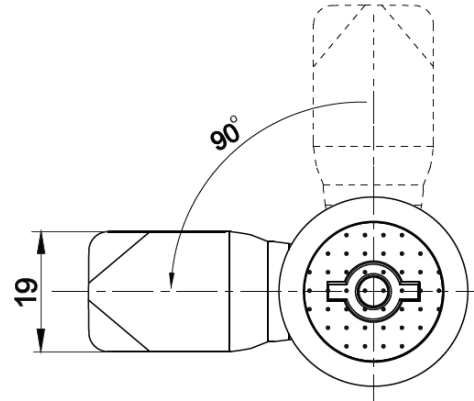
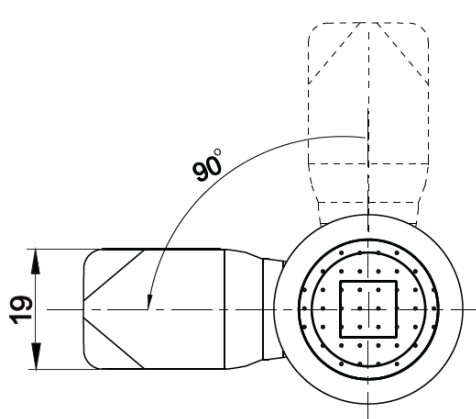
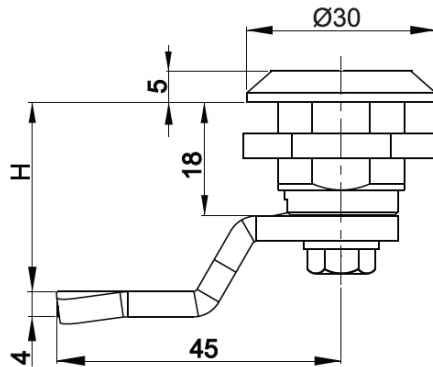
**Housing:** Stainless steel

**Spring loaded link and Escutcheon:** Stainless steel

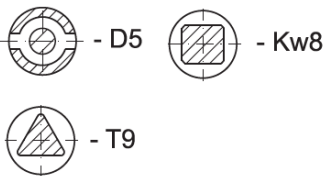
**Insert:** Stainless steel

**Cam:** Stainless steel

**INOX**  
Stainless Steel

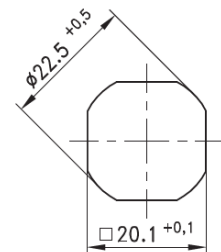


Inserts:



Means closed surface

Cutout



**Overview of items**

version	Stainless steel
Double bit 5mm pin	PA2272783-000
Square 8mm	PA2272786-000
Insert Triangular 9mm	PA2272788-000
H) Cam - see cam series 5 See Page 1A-130 (on request parts can be assembled)	