

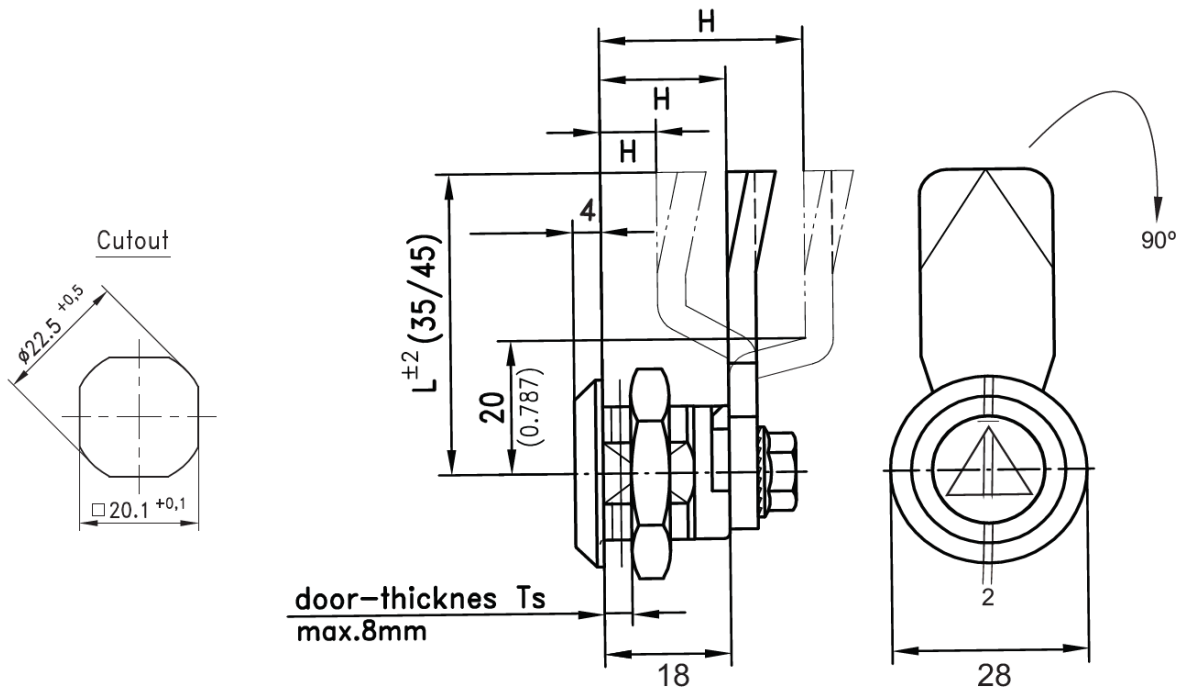
SEALING HOLE QUARTER-TURN

Material:

Housing: Black or zinc die, core

Insert: Black or zinc die, core

Cam: steel, zinc plated



Overview of items

version	zinc die chrome pl.	zinc die black
Sealing hole Quarter-Turn		
Insert Triangular 8mm	PA2220139-000	PA2220149-000
Insert Triangular 9mm	PA2220199-000	PA2220189-000
Insert Slotted recessed coinproof	PA2220198-000	PA2220188-000
Other versions on request !		
Cam steel zinc plated - see cam series 5 See Page 1A-130 (on request parts can be assembled)		