

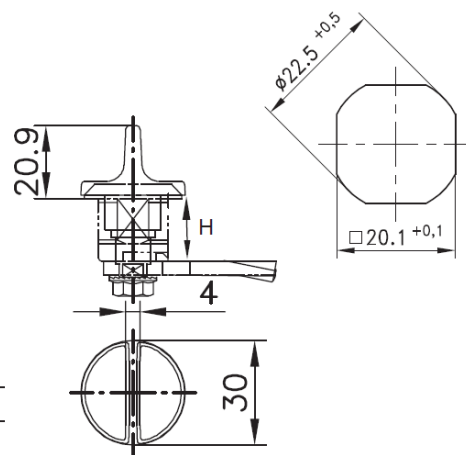
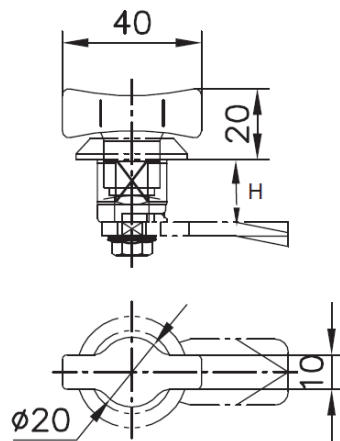
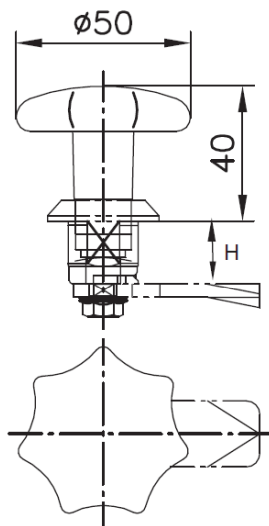
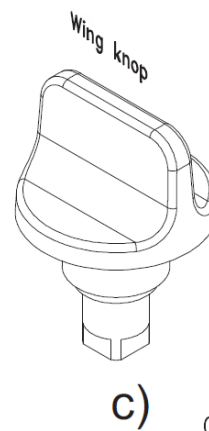
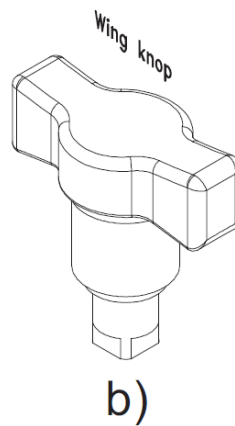
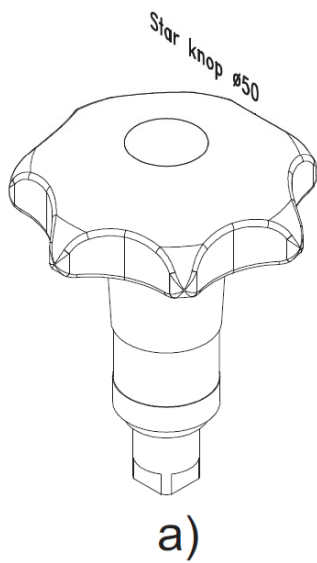
For cutout 20.1, length 18, with cylinder
Quarter-turn RH or LH application

Material:

Housing: PA, Black or zinc die

Insert: PA Black or zinc die, core

Cam: steel, zinc plated



Overview of items

version	zinc die, black	PA black, zinc die, core
a) Star knob Ø50	-	PA2106111-000
b) Wing knob	PA2106120-000	PA2106110-000
c) Wing knob (only for housing Ø28)	PA2106112-000	
Cam steel zinc plated See Page 1A-130 (on request parts can be assembled)		