

HINGE 180°

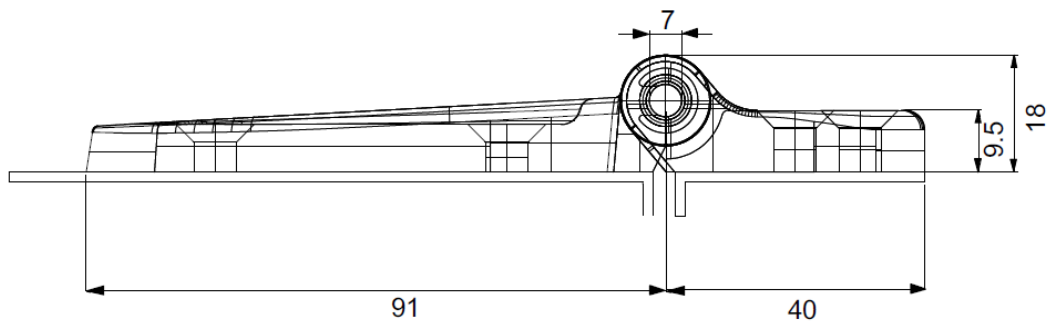
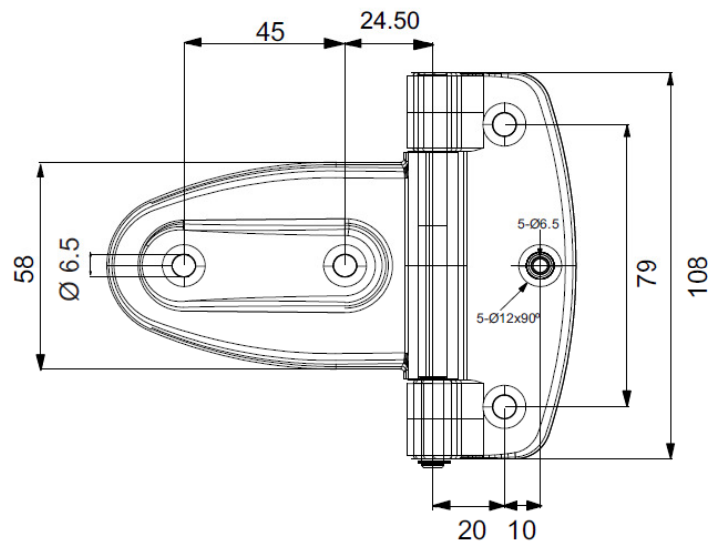
RH or LH application.

180° Opening angle,

Material:

Hinge : PA Black

Pin: nickel plated steel



Overview of items

version	Part No.
Hinge with countersunk holes for M6	PA6120470-0PA