

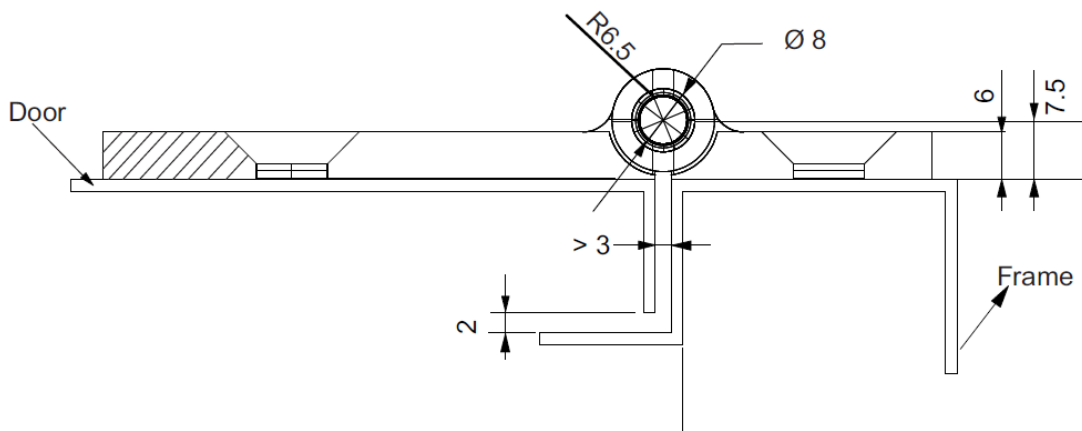
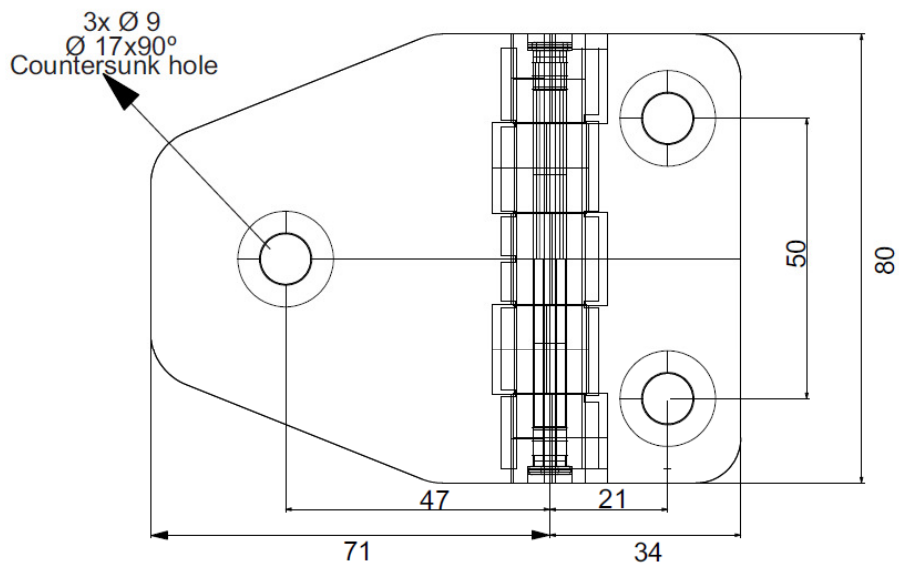
HINGE 180°

RH or LH application.
180° Opening angle,

Material:

Hinge : PA Black

Pin: Zinc plated steel



Overview of items

version	Part No.
Hinge with countersaunk holes for M8	PA6120460-0PA