

HINGE 120°

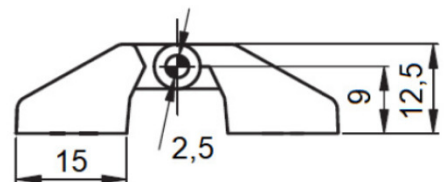
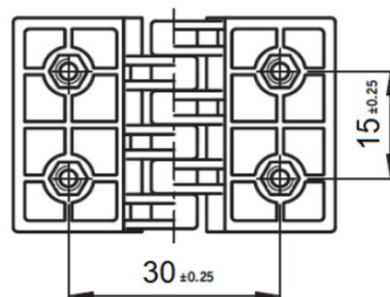
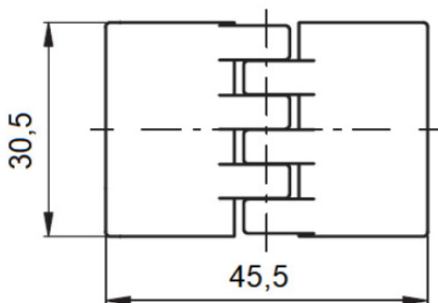
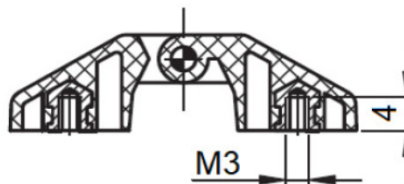
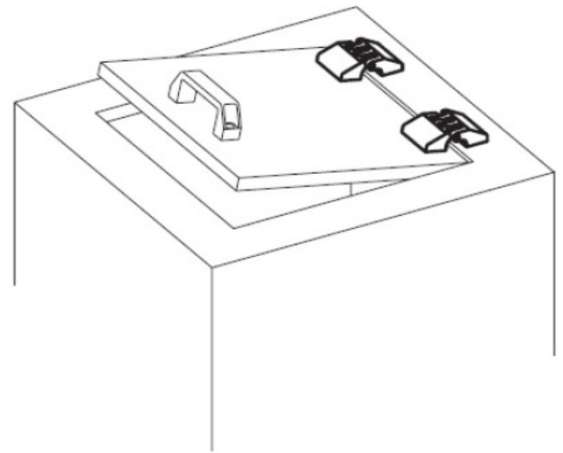
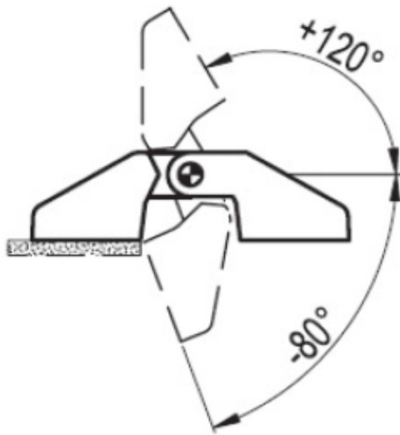
Material:

Hinge Partes: High-resilience polyamide base (PA)

Technopolymer, black colour

Pin: Stainless steel

Plated insert (fully mold-in): Nickel-Plated Brass



Overview of items

Version	Part No
Hinge Polyamide 120°	PA6120420-000

