

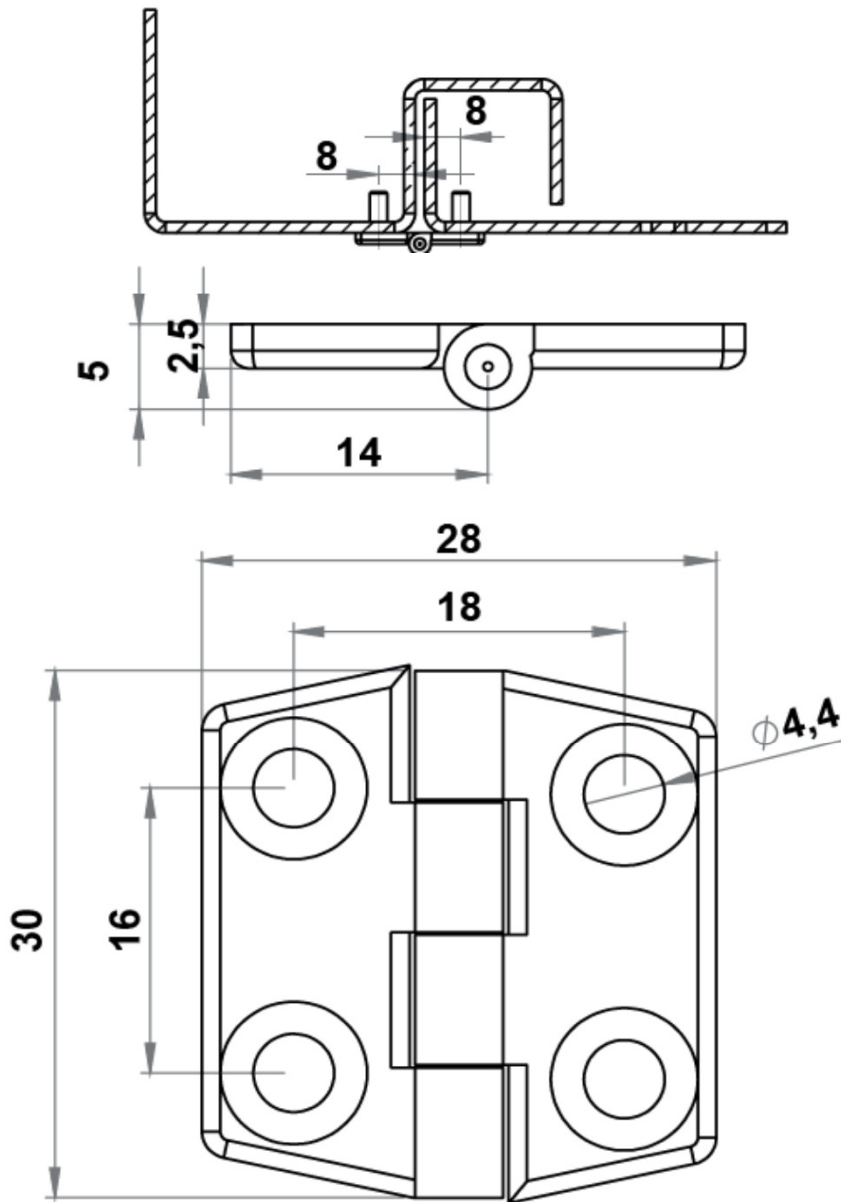
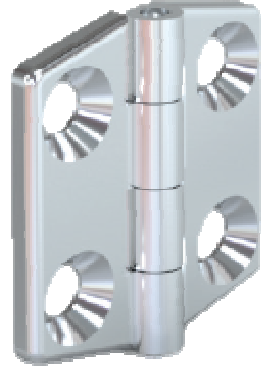
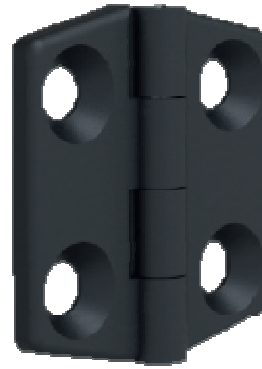
### HINGE 180°

Small elegant hinge  
180° Opening angle

**Material:**

**Hinge parts:** Zinc die, black or Black Coated

**Pin:** Steel, Zinc plated



**Overview of items**

Version	Zinc die, chrome plated	Zinc die, Black Coated
Hinge With 4 Countersunk Holes for M4	PA6120405-OCR	PA6120405-OSW

