

541-L

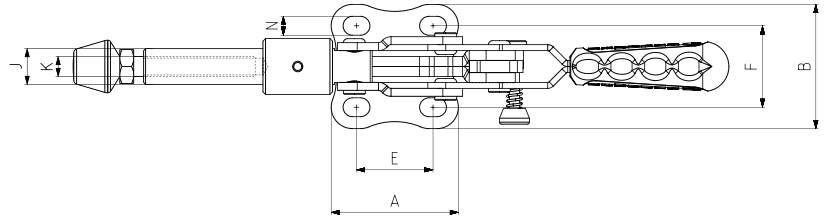
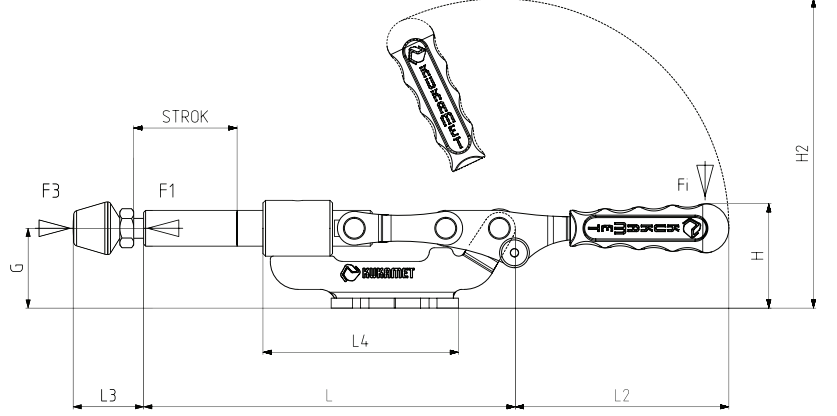


new

MODEL NO	F1 (N)	F3 (N)	Fi	BASKI VİDASI (SQUEEZE SCREW)	STROK	AĞIRLIK (WEIGHT) (gr)
			VERİM (YIELD) (F1:Fi)			
541-4-L-Ø18	4500	7200	23:1	M10 x 70	47	915

F1 : BASKI KUVVETİ (EXERTING FORCE) , F3 : TUTMA KAPASİTESİ (HOLDING CAPACITY)
Fi : UYGULAMA KUVVETİ (APPLIED FORCE)

Ayak Tipi: Yatay Tabanlı - Ters Çalışan Kilitle
Body Mounting Base: Horizontal - Reverse
Operating - Locked



MODEL NO	A	B	E~	F~	G	H	H2	J	K	L	L2	L3 min.	L3 max.	L4	N
541-4-L-Ø18	64	62	34,5 - 42,5	41	40	52,5	156	18	M10	186	107,5	32	81	98	9,5 x 13,5