

411



MODEL NO	PASLANMAZ (STAINLESS)	SİYAH (BLACK)	F1 (N)	F3 (N)	STROK (DİŞ BOYU) (STROKE) (thread length)	AĞIRLIK (WEIGHT) (gr)
411 - 2	S 411 -	B 411 -	1500	1800	35	210
411 - 3	S 411 -	B 411 -	2000	2500	41	325
411 - 4	S 411 -	B 411 -	3500	4000	55	860

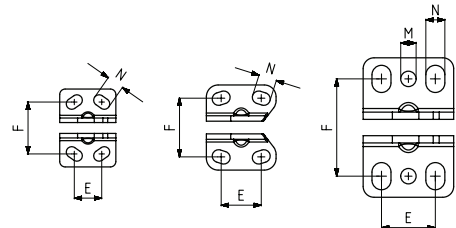
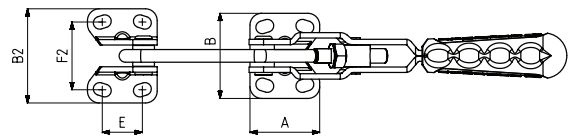
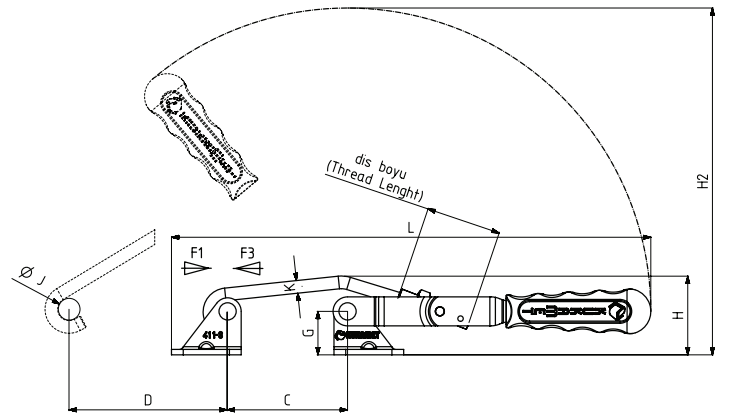
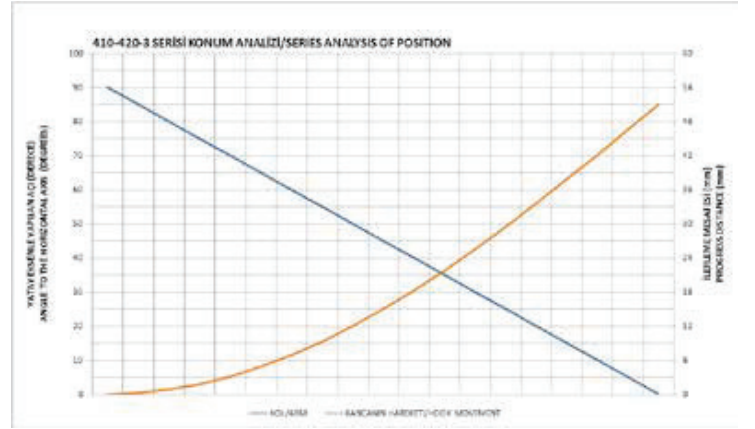
F1 : BASKI KUVVETİ (EXERTING FORCE), F3 : TUTMA KAPASİTESİ (HOLDING CAPACITY)
Paslanmaz C Kancalı ürünlerin çekme kuvvetleri %30 daha azdır. (Stainless steel latch clamp's tensile strength are %30 more less)



Ayak Tipi: Yatay Tabanlı
Body Mounting Base: Horizontal



311 Sayfa/Page: 36 412 Sayfa/Page: 48 413 Sayfa/Page: 48 421 Sayfa/Page: 49



MODEL NO : 411-2

MODEL NO : 411-3

MODEL NO : 411-4

MODEL NO	A	B	B2	C min.	C max.	D	E ~	F ~	F2 ~	G	H	H2	J	K	L min.	L max.	M	N
411 - 2	31	43	47	45	60	50	12 - 18	26,5 - 30,5	30,5 - 34,5	26	38	155	9	M6	200	215		6x9,5
411 - 3	38,5	47	52	60	75	80	19 - 25	31,5 - 33	36,5 - 38	24	42	190	12	M 8	255	270		7x10
411 - 4	50	77	84	75	100	130	30	49 - 58	56 - 65	40	61	253	16	M10	335	360	Ø 8,5	10,5x15