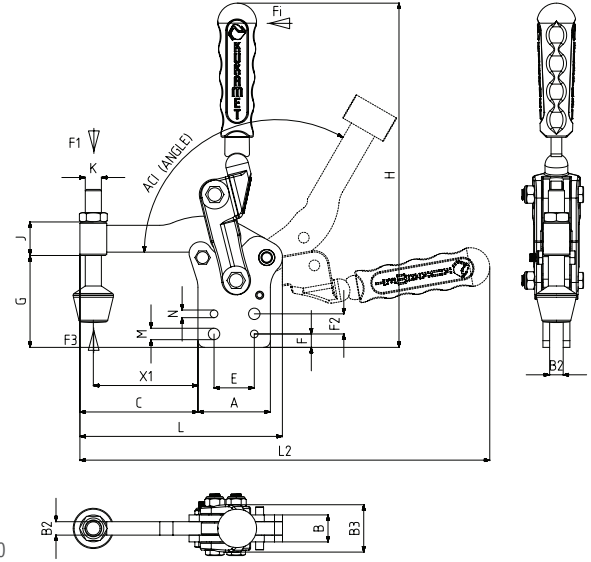


242

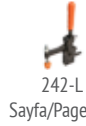


MODEL NO	F1 (N)	F3 (N)	Fi	AÇI (ANGLE) (± 5°)	AĞIRLIK (WEIGHT) (gr)
			VERİM (YIELD) (F1)		
242-2	750	2500	5:1	120°	325
242-4	1500	10000	5:1	120°	1340
242-6	2000	12000	5:1	120°	2340

F1 : BASKI KUVVETİ (EXERTING FORCE) , F3 : TUTMA KAPASİTESİ (HOLDING CAPACITY) , Fi : UYGULAMA KUVVETİ (APPLIED FORCE)



Ayak Tipi: Dikey Tabanlı
Body Mounting Base: Vertical



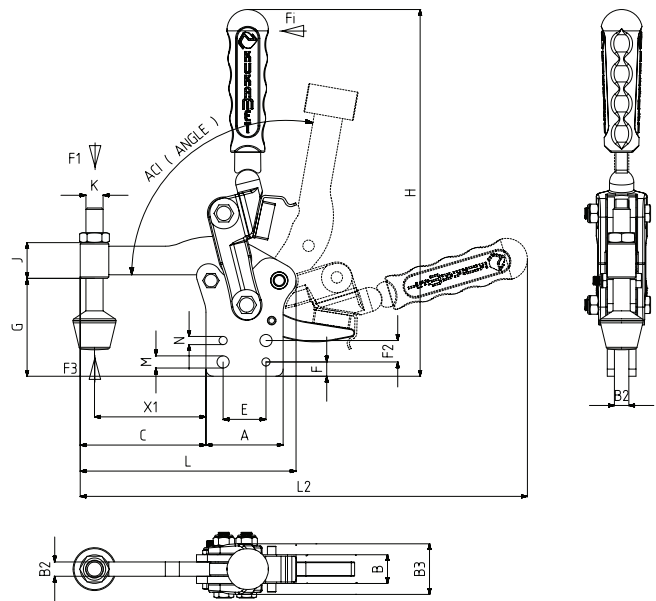
MODEL NO	A	B	B2	B3	C	E ~	F ~	F2 ~	G	H	J	K	L	L2	M	N	X1
242-2	36	12	6	23	50,5	20	8		44,5	159	15	M 6	89	192	Ø 6,5		44,5
242-4	54	20	10	36	88	30	10	15	67,5	257	27	M12	151	323	Ø 8.5	Ø 5.7	78
242-6	70	22	12	46	111	45	15	20	91	303	32	M12	191	390	Ø 10.5	Ø 7.7	98,5

242-L



MODEL NO	F1 (N)	F3 (N)	Fi	AÇI (ANGLE) (± 5°)	AĞIRLIK (WEIGHT) (gr)
			VERİM (YIELD) (F1)		
242-4-L	1500	10000	5:1	100°	1470
242-6-L	2000	12000	5:1	100°	2545

F1 : BASKI KUVVETİ (EXERTING FORCE) , F3 : TUTMA KAPASİTESİ (HOLDING CAPACITY) , Fi : UYGULAMA KUVVETİ (APPLIED FORCE)



Ayak Tipi: Dikey Tabanlı
(Açıkken Kilitli)
Body Mounting Base: Vertical
(Locked when open)



MODEL NO	A	B	B2	B3	C	E ~	F ~	F2 ~	G	H	J	K	L	L2	M	N	X1
242-4-L	54	20	10	36	88	30	10	15	67,5	257	27	M12	151	323	Ø 8.5	Ø 5.7	78
242-6-L	70	22	12	46	111	45	15	20	91	303	32	M12	191	390	Ø 10.5	Ø 7.7	98,5