

QUARTER-TURN GH=18

Material:

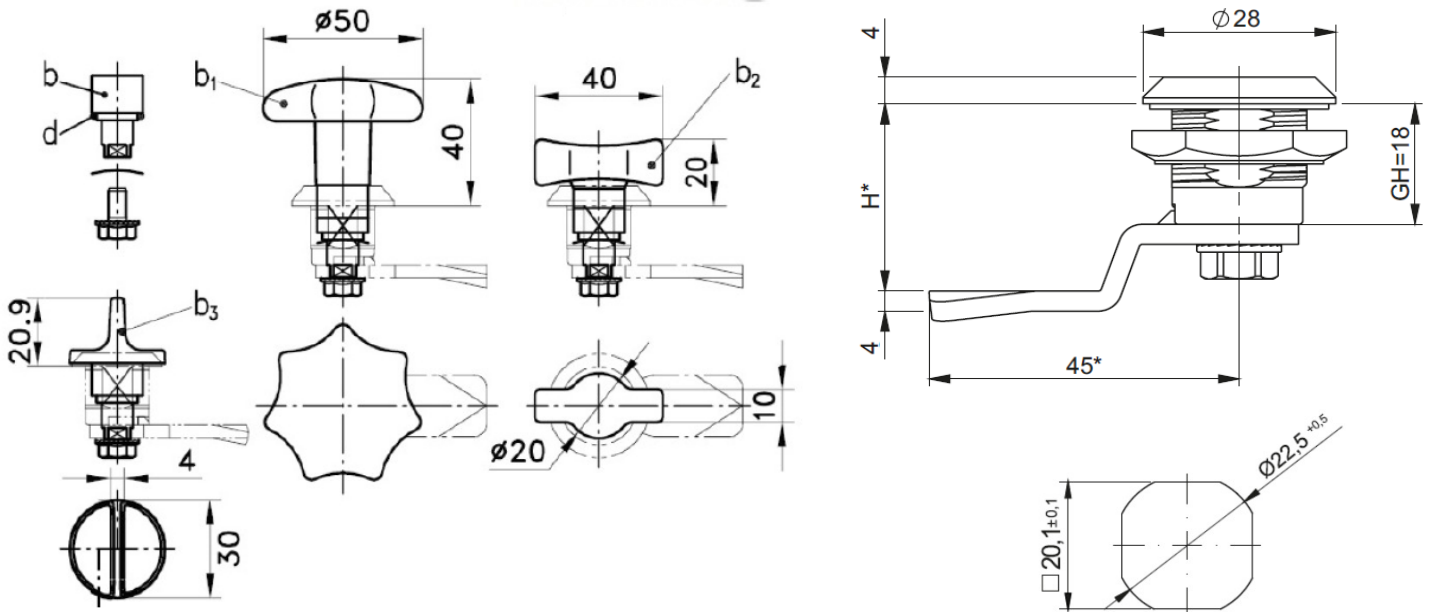
Housing: Zinc die, chrome plated, zinc die black, Polyamide or Stainless steel

Insert: Zinc die, chrome plated, zinc die black, Polyamide or Stainless steel

Cam: Steel, zinc plated or Stainless steel.



INOX
Stainless Steel



OVERVIEW OF ITEMS

Version	Zinc die Chrome pl.	Zinc die Black	Polyamide Black	Stainless Steel
b) Hex 7/16"	PA2201130-000	PA2201140-000	PA2201170-000	-
Hex 11mm	PA2201131-000	PA2200141-000	PA2201171-000	-
Double bit 3mm	PA2201132-000	PA2201142-000	PA2201172-000	PA2201182-000
Double bit 5mm	PA2201133-000	PA2201143-000	PA2201173-000	PA2201183-000
Square 6mm	PA2201134-000	PA2201144-000	PA2201174-000	-
Square 7mm	PA2201135-000	PA2201145-000	PA2201175-000	PA2201185-000
Square 8mm	PA2201136-000	PA2201146-000	PA2201176-000	PA2201186-000
Square 8mm slotted	PA2201137-000	PA2201147-000	PA2201177-000	-
Triangular 6,5mm	PA2201150-000	PA2201160-000	-	-
Triangular 7mm	PA2201138-000	PA2201148-000	PA2201178-000	PA2201188-000
Triangular 8mm	PA2201139-000	PA2201149-000	PA2201179-000	PA2201189-000
Triangular 9mm	PA2201159-000	PA2201169-000	PA2201199-000	-
Triangular 10mm with M5 screw hole	PA2201197-000	-	-	-
Slotted recessed coinproof	PA2201155-000	PA2201165-000	PA2201195-000	-
b1) Star knob $\phi 50$	-	-	PA2106111-000	-
b2) Wing Knob	-	PA2106120-000	PA2106110-000	-
b3) Wing knob	-	PA2106112-000	-	-
d) O-ring	-	-	-	-
Cam Steel Zinc plate ou stainless steel - see cam series 5 - page 1A-130	-	-	-	-