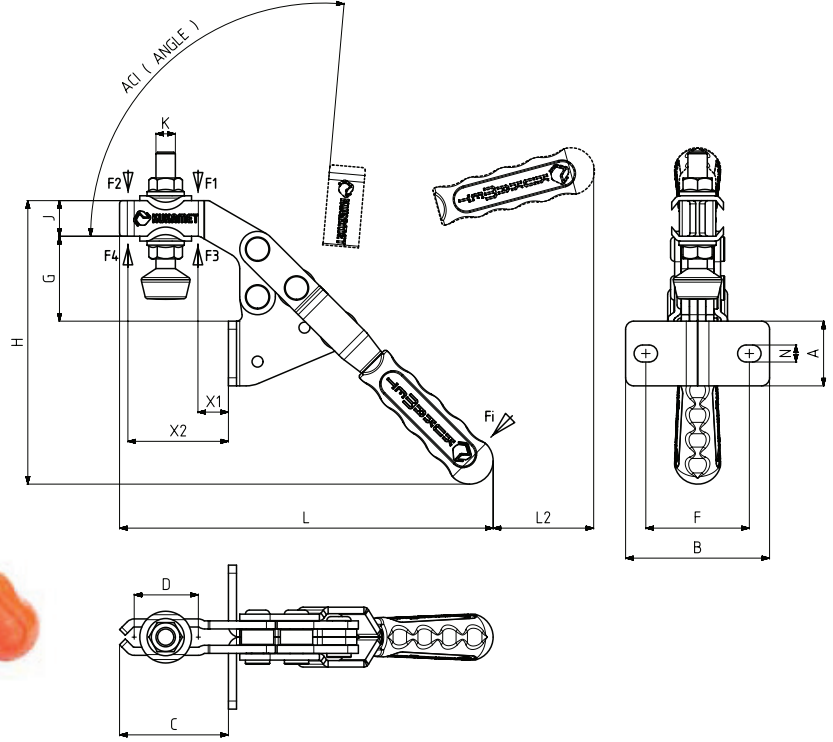


MODEL NO	SİYAH (BLACK)	F1 (N)	F2 (N)	F3 (N)	F4 (N)	Fi		BASKI VİDASI (SQUEEZE SCREW)	AÇI (ANGLE) ($\pm 5^\circ$)	AĞIRLIK (WEIGHT) (gr)
						(X1) VERİM (YIELD) (F1 : Fi)	(X2) VERİM (YIELD) (F2 : Fi)			
133 -5	B 133 -	4500	3250	5000	3500	10:1	5:1	M12X80	90°	1191

F1 - F2 : BASKI KUVVETİ (EXERTING FORCE), F3 - F4 : TUTMA KAPASİTESİ (HOLDING CAPACITY), Fi : UYGULAMA KUVVETİ (APPLIED FORCE)

133



Ayak Tipi: Çan Tabanlı
Body Mounting Base: Side Ward



213

Sayfa/Page: 21



113

Sayfa/Page: 10



MODEL NO	A	B	C	D	F~	G	H	J	K	L	L2	N	X1	X2
133 -5	40	89	67.5	20	60-68	52.5	180	22	M12	233	62	10.5 x 14.5	21	56