

## MAGNETS SHALLOWS POT WITH HOOK NdFeB

**Material:**

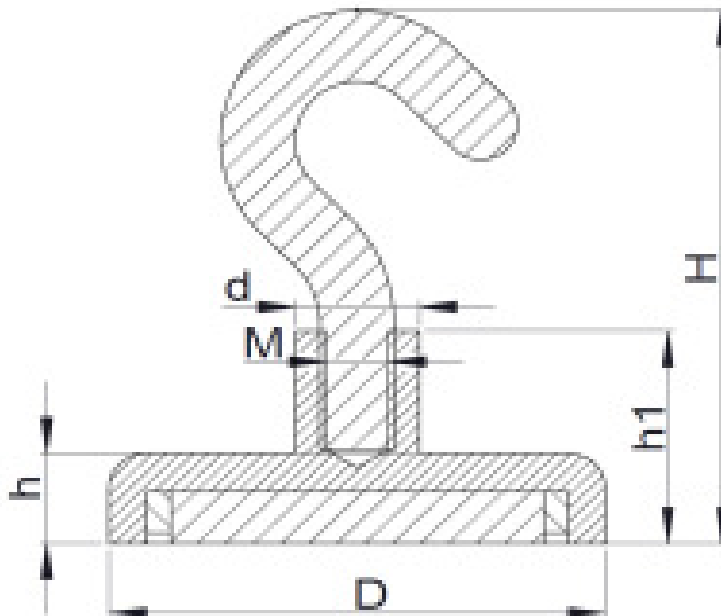
Nickel coating  
magnetic core NdFeB

**Note:**

Shielded System

**Temperature Range:**

Max. 80°C



**Overview of items**

Version	D (mm)	d (mm)	M	h (mm)	h1 (mm)	H (mm)	Adhesive force (Kg)	Approx. Weight (g)
PA5533-010	10	6	M3	5	12.6	31.5	1.5	5
PA5533-012	12	6	M3	5	12.6	31.5	2	7
PA5533-016	16	6.5	M4	5.2	13.5	35.7	8	12
PA5533-020	20	6.5	M4	7.2	15	37.8	12	21
PA5533-025	25	7.5	M5	7.7	17	44.9	25	33
PA5533-032	32	10	M6	7.8	18	47.8	34	54
PA5533-036	36	10	M6	7.6	18.5	49.8	50	64
PA5533-042	42	10	M6	8.8	18.8	50	72	93
PA5533-048	48	12	M8	11	24	61	81	150
PA5533-055	55	12	M8	12	28	63	95	231
PA5533-060	60	12	M8	15	28	66	160	283
PA5533-070	70	17	M10	17	34	84	200	531
PA5533-075	75	17	M10	18	35	85	270	555
PA5533-080	80	17	M10	18	35	85	300	744