

MAGNETS WITH COUNTER BORE NdFeB

Material:

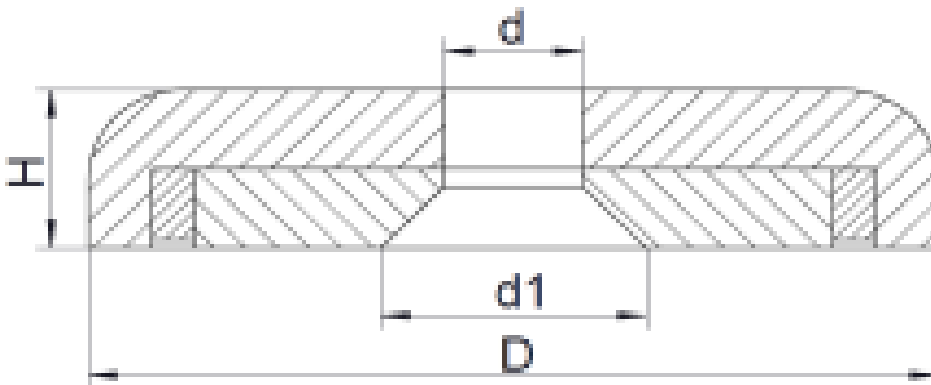
Housing in nickel coating
magnetic core NdFeB

Note:

Shielded System

Temperature Range:

Max. 80°C



Overview of items

Version	D (mm)	d (mm)	d1 (mm)	H (mm)	Adhesive force (Kg)	Approx. Weight (g)
PA5531-010	10	3.5	6.5	4.5	1	3
PA5531-012	12	3.5	6.5	4.5	1.5	4
PA5531-016	16	3.5	6.5	5.2	6	7
PA5531-020	20	4.5	8.6	7.2	11	15
PA5531-025	25	5.5	10.6	7.7	22	24
PA5531-032	32	5.5	10.6	7.8	32	39
PA5531-036	36	6.5	12	7.6	43	50
PA5531-042	42	6.5	12	8.8	65	77
PA5531-048	48	8.5	19	11	75	120
PA5531-055	55	8.5	19	12	95	192
PA5531-060	60	8.5	19	15	160	243
PA5531-070	70	10.5	21	17	200	440
PA5531-075	75	10.5	21	18	250	480
PA5531-080	80	10.5	21	18	280	655
PA5531-090	90	10.5	21	18	360	822
PA5531-120	120	12.5	25	18	480	1420