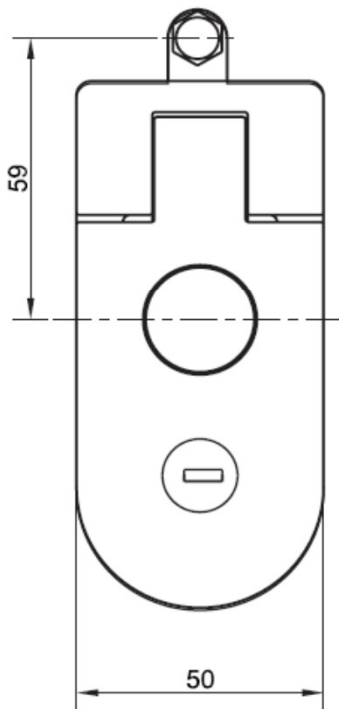
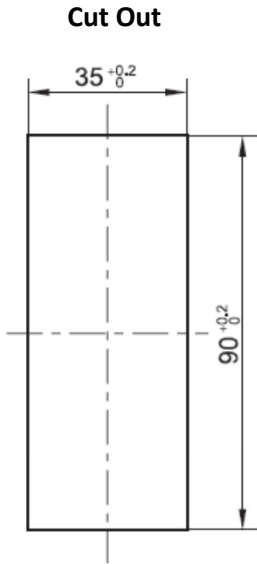
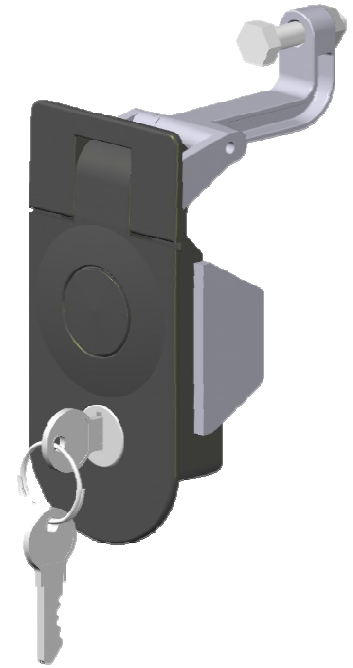


COMPRESSION LATCH

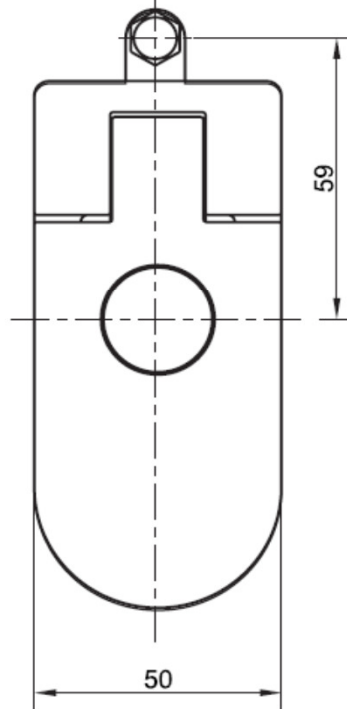
Material:

Plate and Handle: Zinc die, Black Textured Powerd Coated

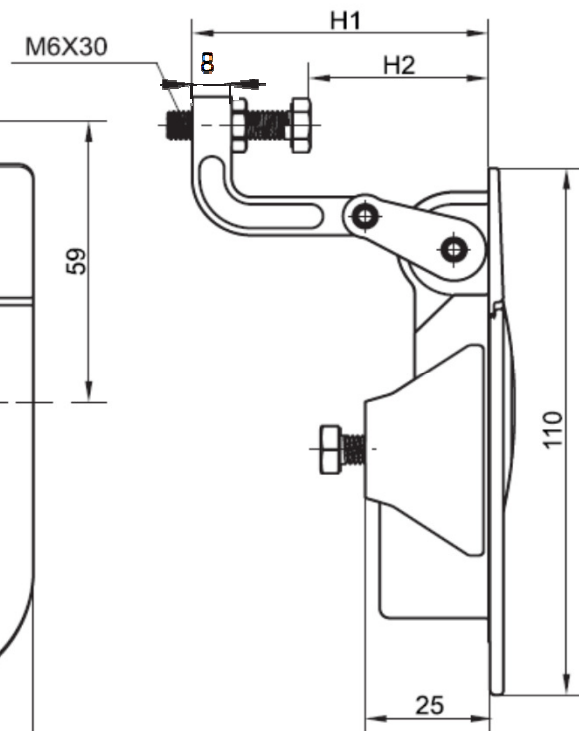
Panel thickness from 1 to 10 mm



With Key



Without Key



Overview of items

Version	Part N°	Part N°	Part N°	Part N°
	H1=29 - H2= 0-15	H1=43 - H2= 15-45	H1=60 - H2=30-45	H1=75 - H2= 45-60
Compression Latch - Without Key	PA2630310-000	PA2630320-000	PA2630330-000	PA2630340-000
Compression Latch - With Key K751	PA2630311-000	PA2630321-000	PA2630331-000	PA2630341-000

