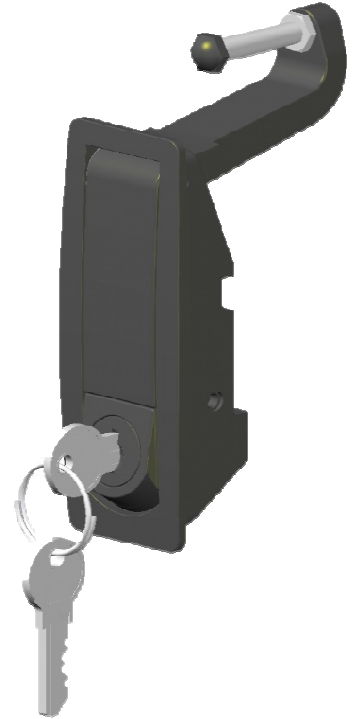


COMPRESSION LATCH

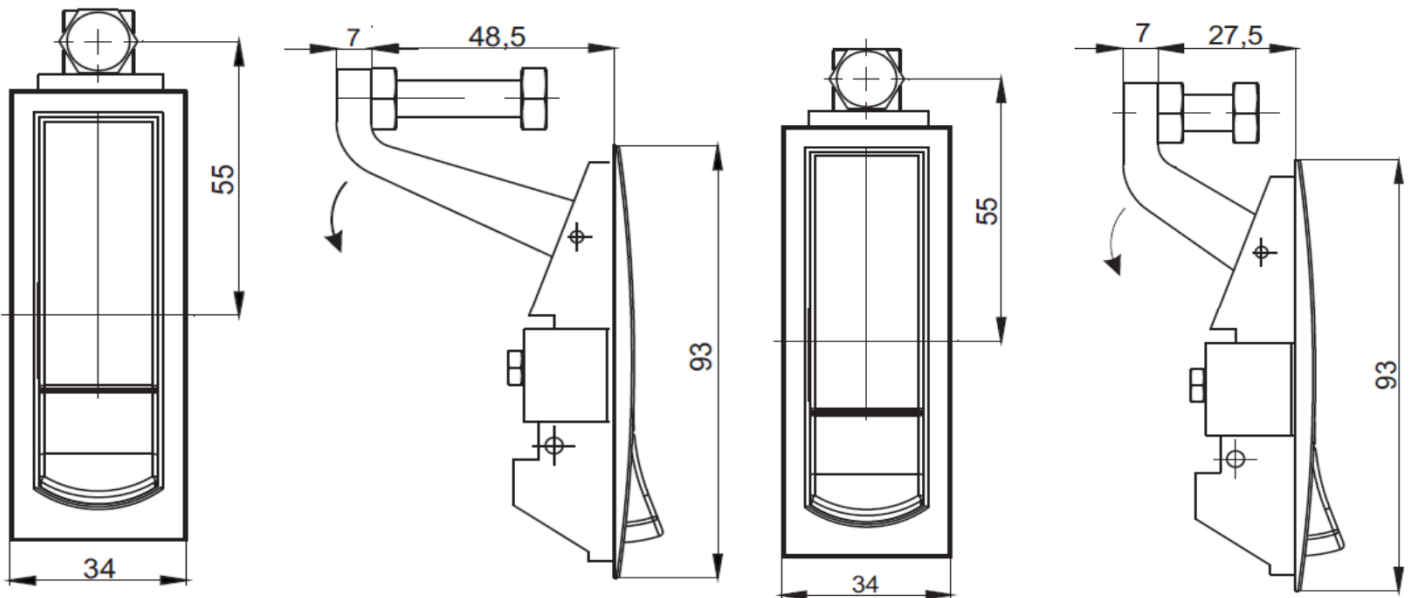
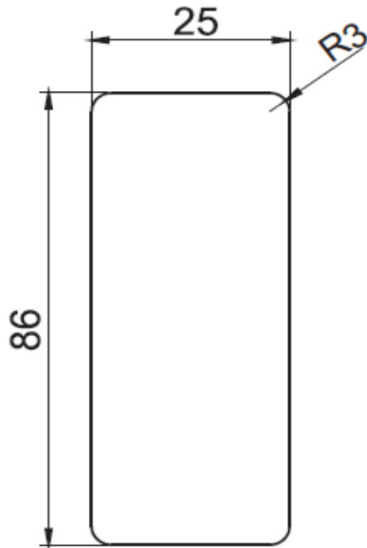
Material:

Plate and Handle: Zinc die, Black Textured Powerd Coated

Panel thickness from 1 to 5 mm



Cut out



Overview of items

Version	Part N°	Part N°
	H= 48,5	H= 27,5
Compression Latch - Without Key	PA2630110-000	PA2630120-000
Compression Latch - With Key K751	PA2630111-000	PA2630121-000